



GTOS

中开蜗壳式离心泵

GTOS SPLIT VOLUTE CASING CENTRIFUGAL PUMP

操作說明書 Use Specification

重要

操作人員在使用本產品前，
請務必詳細閱讀操作說明書，
以確保操作安全。

IMPORTANT

Please ensure that these
instructions are read and
understood by machine operators
before using the chuck

請詳閱手冊內容并善加保存
Please Read and Save This Manual

上海高田制泵有限公司
SHANGHAI SENTTY PUMP MANUFACTURE CO., LTD.



Company Profile

进入 **高田** 企业

上海高田制泵有限公司是专业从事各类水泵及其附属产品生产和销售的企业，工厂占地15000m²，地处上海市金山区亭林镇工业南区林盛路178号，西靠嘉金高速公路，距机场18公里，地理位置优越，交通便利。公司一贯重视产品质量和质量管理体系的建设，已通过了ISO9001质量体系认证。

公司现有员工300多人，其中工程技术人员50余人。产品严格按照质量标准组织生产，拥有先进的微机控制测试系统，保证了每一台水泵合格出厂。产品涵盖清水泵、空调泵、化工泵、排污泵、消防泵、成套给水设备、电控柜，多达二十多个系列一千多个品种，广泛应用于市政工程、电站、水厂、宾馆、工矿企业、建筑给排水、暖通、制冷、排污、消防、石油与化工、医药食品卫生等行业，以可靠的质量和合理的价格深受广大用户青睐。

不断地创新和发展是我们的宗旨，公司及时跟踪泵业新动态，了解和吸收新技术、新产品，一贯致力于新产品特别是立式泵的研发。近年来连续在市场上首先推出了GTW型卧式泵、GTB型便拆式离心泵、GTSB型立式便拆式双吸泵，深受广大用户的欢迎。公司同时可为用户单独设计制造特殊参数和特殊材质的各类水泵。

公司已在全国设立了三十多个销售处和售后服务中心，拥有完善的质量服务体系，您定能从我们广泛的产品系列中选取所需的规格和型号。我们将继续以新的产品、卓越的品质来回馈广大客户，以“没有最好、只有更好”的服务宗旨，为您提供优良的产品和完善的售前、售后服务。

Shanghai Senty Pump Manufacture Co., Ltd. is an enterprise specialized in manufacturing and selling various water pumps and its accessories. Our factory occupies an area of 15000m², which is No.178 linseng Rd, Southern Industrial Zone, Tinglin Town Jinshan District, Shanghai. It has a convenient transportation with Jiajin Freeway to its west and 18 km away from the airport. Our company always pays great attention to product quality and the construction of quality management system, and we passed the ISO9001 quality system certification.

Our company now has over 300 employees, including about 50 technicians. The products are manufactured strictly according to standards and every pump is guaranteed to be qualified before leaving the factory with the advanced microcomputer control testing system. Our product ranges cover more than one thousand types of over 20 series such as clear water pump, air conditioner pump, chemical pump, drainage pump, fire pump, water supply equipment and electric controlled cabinet, which are applied to a lot of industries such as municipal projects, power stations, water factories, hotels, industrial and mining enterprise, building water supply and drainage, heating systems, cooling, drainage, fire fighting, petroleum, chemical industry, medicine, food and sanitary and other industries, and they received favors from a wide range of customers with reliable quality and reasonable price.

Continuous innovation and development are our aims. Our company not only tracks on the new trends in pump industry in time, but also finds out and absorbs the new technology and new products, and we devote ourselves in developing new products especially the vertical pumps. In recent years, we are the first to launch the GTW horizontal pump, GTB easy-disassembly centrifugal pump, GTSB vertical easy-disassembly double suction pump, which are all very popular among customers.

Our company also designs and manufactures various water pumps of special parameters and special materials for users.

Our company has a complete quality service system with more than 30 sales offices and after sales service centers established through out the country. You surely can find the necessary specification and type within our wide product ranges. We will respond to our customers with new products and excellent quality and provide you with excellent products, complete pre-sales and after sales service under the aim of "There is no the best but only the better!"



上海高田工业园

产品概述

GTOS泵为单级双吸中开蜗壳式离心泵。主要适用于自来水厂、空调循环用水、建筑供水、灌溉、排水泵站、电站、工业供水系统、消防系统、船舶工业等输送液体的场合，符合标准GB5657。

GTOS系列泵的运行数据

泵出口直径 DN: 80 ~ 1400mm

流量 Q: $\leq 28500\text{m}^3/\text{h}$

扬程 H: $\leq 200\text{m}$

工作温度 T: $\leq 105^\circ\text{C}$

工作许用压力: $\leq 25\text{bar}$

许用试验压力: $\leq 37.5\text{bar}$

结构特点

- 1、结构紧凑外形美观，稳定性好，便于安装。
- 2、运行平稳优化设计的双吸叶轮使轴向力减小到最低限度，且有优异水力性能的叶型，并经精密铸造，泵壳内表面及叶轮表面极其光滑具有显著的抗汽蚀性能和高效率。
- 3、轴承选用国产优质轴承或SKF及NSK轴承保证运行平稳，噪音低，使用寿命长。
- 4、轴封选用国产优质机械密封或BURGMANN机械密封或填料密封。机械密封能保证8000小时运行无泄漏。
- 5、安装装配时不需调整。

Outline of product

GTOS pumps are single-stage double suction inter opened spiral casing centrifugal pumps and used or liquid transportation for water works, air-conditioning circulation, building, irrigation, drainage pump station, electric power station, industrial water supply system, fire-fighting system, shipbuilding and so on.

Data of running

Outlet diameter of pump DN: 80 ~ 1400mm

Capacity Q: $\leq 28500\text{m}^3/\text{h}$

Head H: $\leq 200\text{m}$

Working temperature T: $\leq 105^\circ\text{C}$

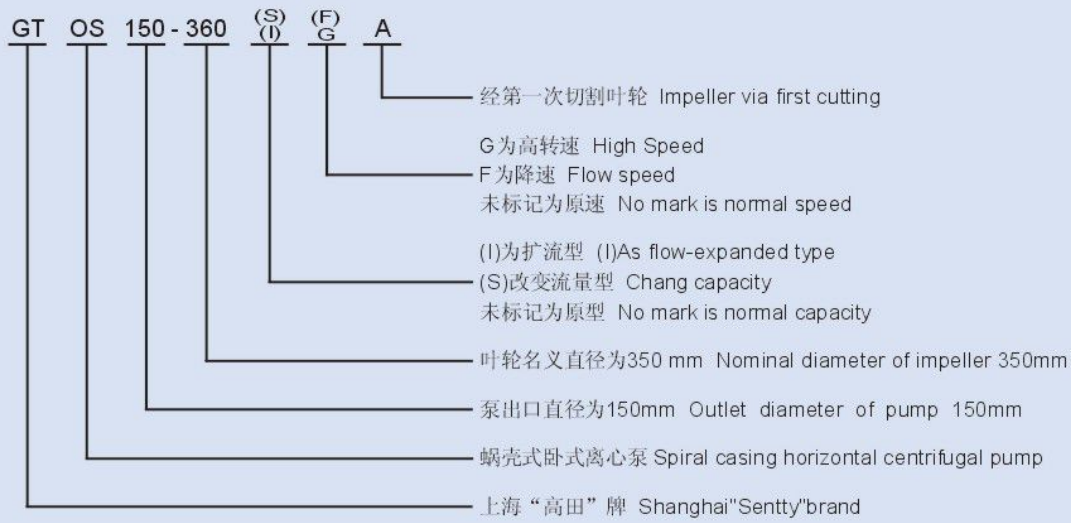
Permitted working pressure: $\leq 25\text{bar}$

Permitted testing pressure: $\leq 37.5\text{bar}$

Characteristic of structure

- 1、Compact structure nice appearance, good stability and easy installation.
- 2、Stable running the optimally designed double-suction impeller makes the axial force reduced to the minimum and has a blade-style of very excellent hydraulic performance, both internal surface of the pump casing and the impeller's surface, being precisely cast, are extremely smooth and have a notable performance of vapour-corrosion resisting and a high efficiency.
- 3、Bearing use SKF and NSK bearings to guarantee a stable running, low noise and long duration.
- 4、Shaft seal use BURGMANN mechanical or stuffing seal to ensure a 8000h non-leak running.
- 5、Mode of erection no adjustment needs in assembly.

型号意义 Model meaning

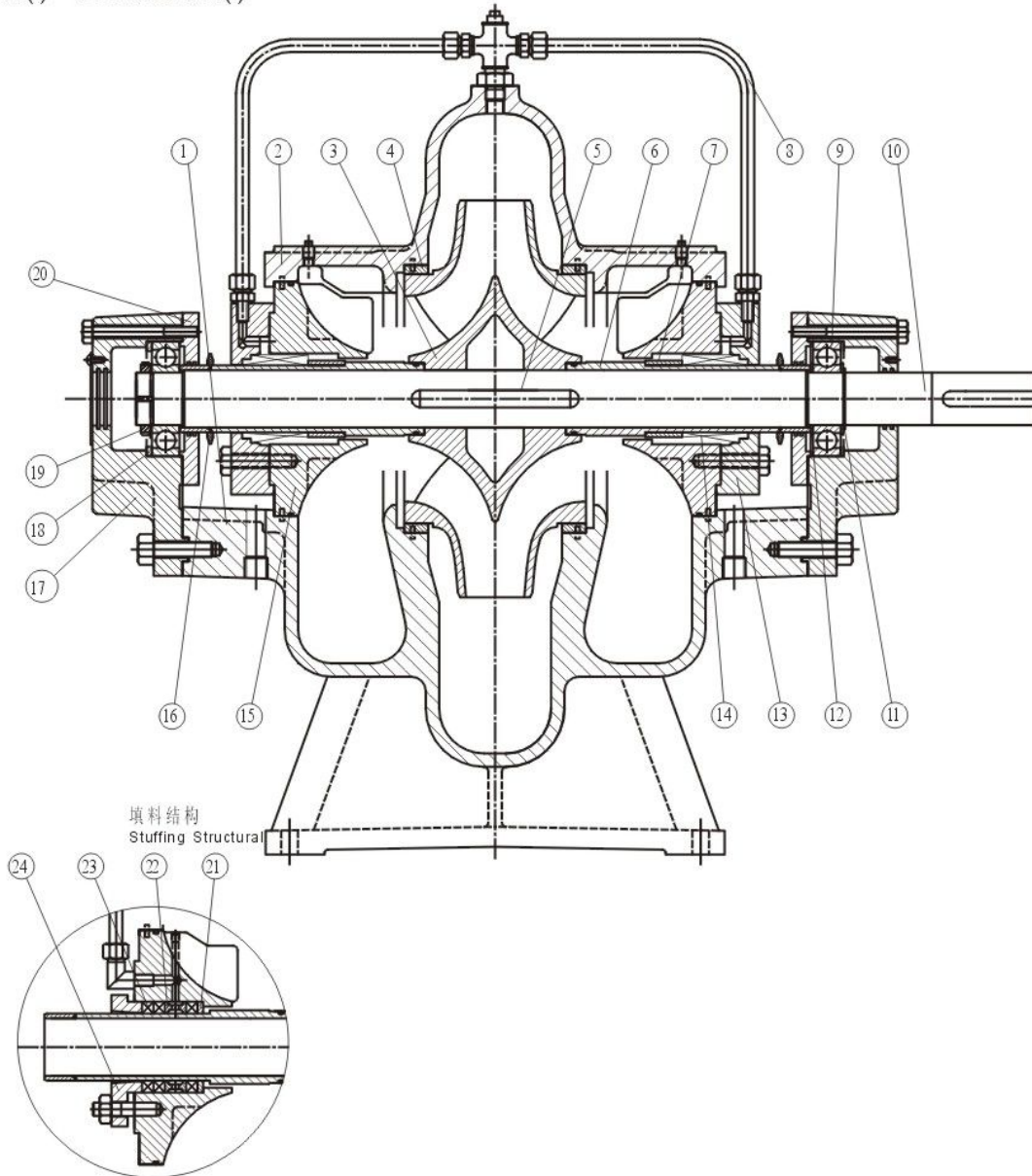


主要零件材料表 List of main parts' materials

零件名称 Part	材料名称 Material	GB
泵壳 Pump casing	灰铸铁 Casting pig 球墨铸铁 Ductalloy 铸钢 Cast steel	HT250 QT400-18 ZG230-450
叶轮 Impeller	青铜 Bronze 灰铸铁 Casting pig 硅黄铜 Silicon brass 不锈钢 Stainless steel	ZCuSn10Pb1 HT250 ZCuZn16Si4 ZG1Cr18Ni9Ti
轴 Shaft	不锈钢 Stainless steel 碳钢 Carbon steel	2Cr13 45#
泵体密封环 Seal-ring on pump casing	青铜 Bronze 灰铸铁 Casting pig 硅黄铜 Silicon brass 不锈钢 Stainless steel	ZCuSn10Pb1 HT250 ZCuZn16Si4 ZG1Cr18Ni9Ti

GTOS型卧式泵结构图 Structural drawing of model GTOS horizontal pump

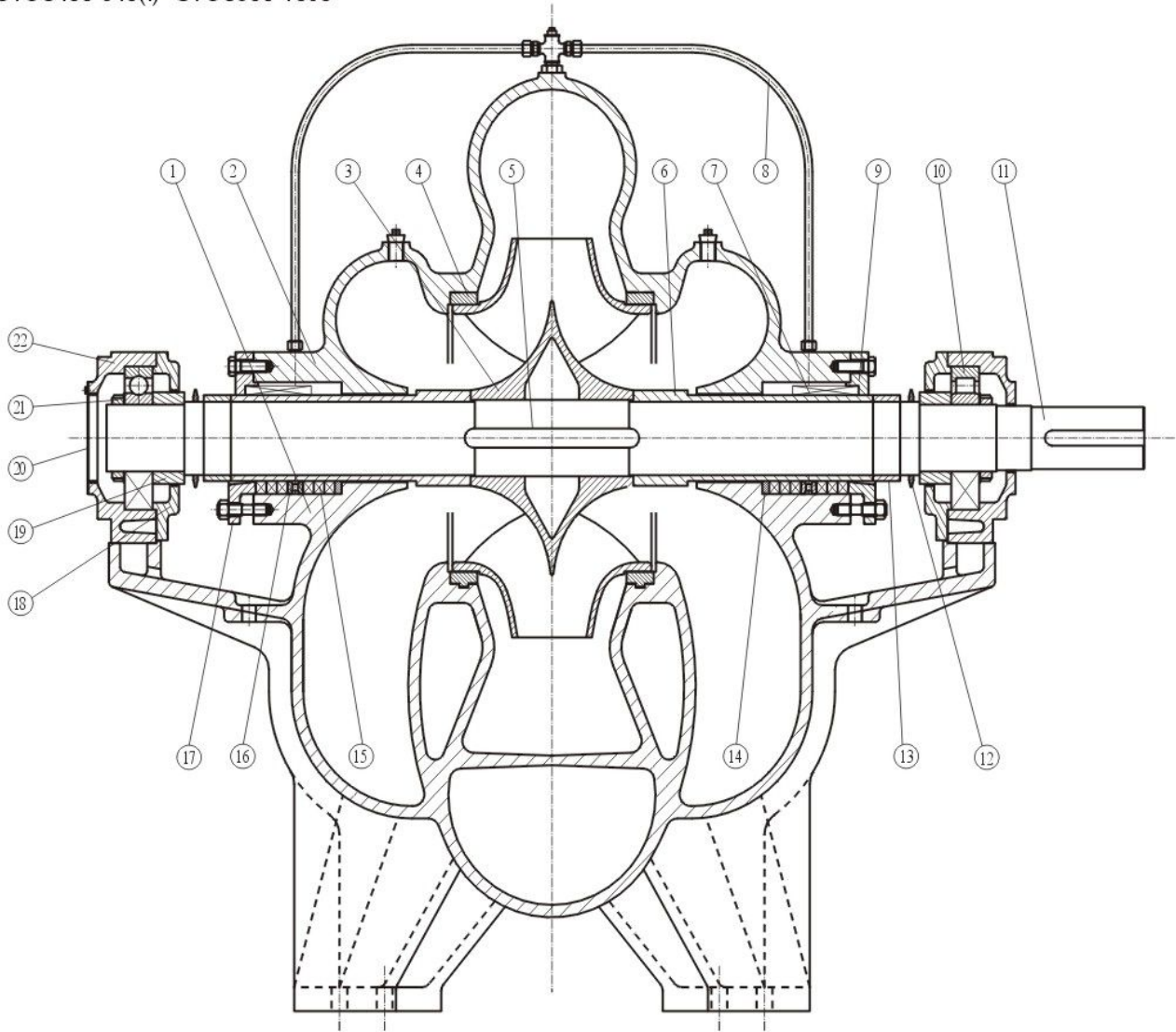
GTOS80-210(I)—GTOS350-510(I)



1	泵体 Pump casing	7	机封挡圈 Mechanical shaft	13	机封压盖 Mechanical seal gland	19	锁紧螺母 Locking nut
2	泵盖 Pump cover	8	冲洗水管 Washing pipe	14	机械密封 Mechanical seal	20	轴承压盖 Gland of bearing body
3	叶轮 Impeller	9	轴承 Bearing	15	密封体 Sealing body	21	填料挡圈 Stuffing baffle
4	密封环 Seal-ring	10	轴 Shaft	16	挡水圈 Water baffle	22	填料环 Stuffing-ring
5	键 Key	11	轴用挡圈 Check ring for shaft	17	轴承体 Bearing body	23	填料 Stuffing
6	轴套 Shaft sleeve	12	轴承挡圈 Bearing baffle	18	轴承垫圈 Bearing washer	24	填料压盖 Stuffing gland

GTOS型卧式泵结构图 Structural drawing of model GTOS horizontal pump

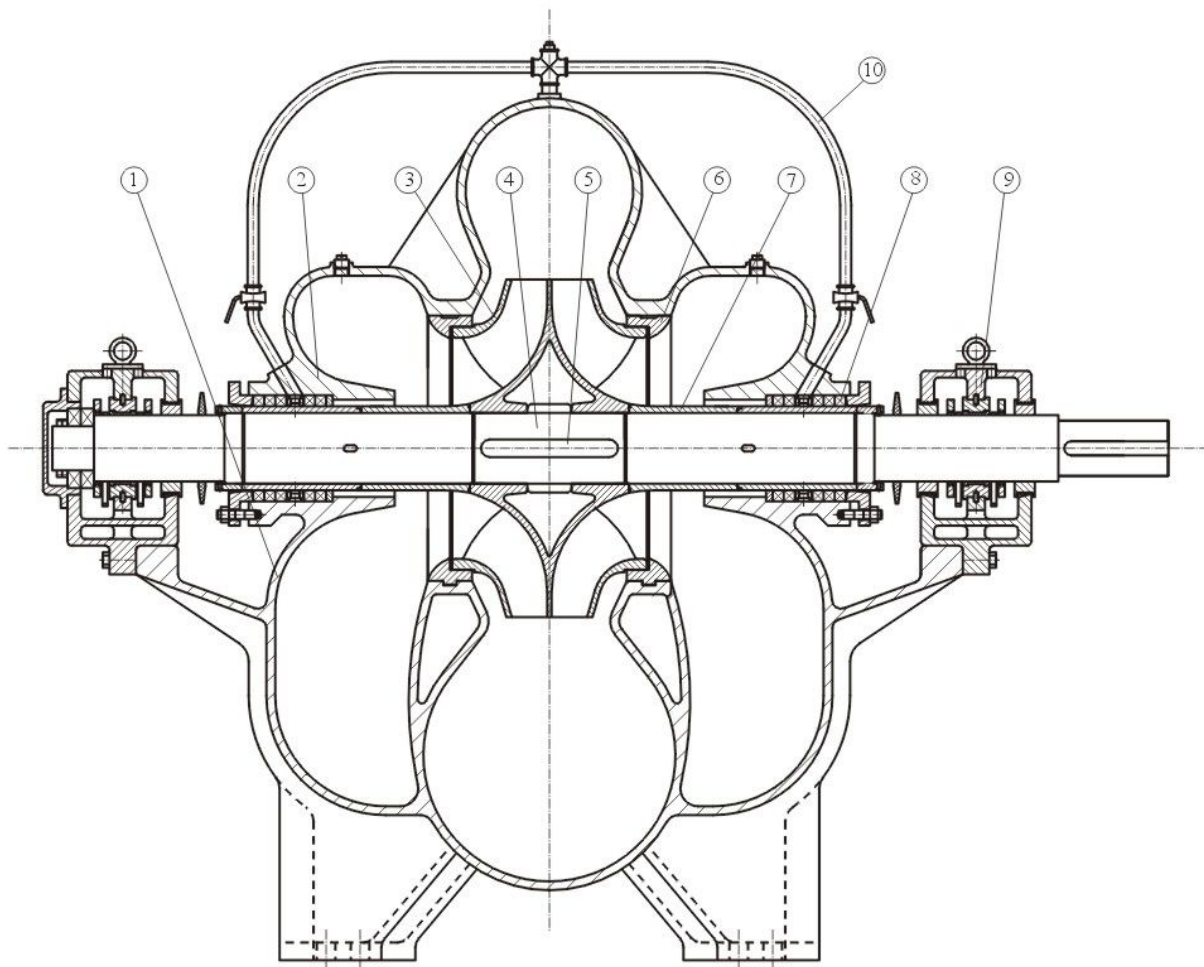
GTOS400-540(I)~GTOS900-1060



1	泵体 Pump casing	7	机械密封 Mechanical seal	13	叶轮螺母 Impeller nut	19	轴承挡套 Bearing baffle
2	泵盖 Pump cover	8	冲洗水管 Washing pipe	14	填料挡圈 Stuffing baffle	20	轴承体盖板 Cover plate of bearing body
3	叶轮 Impeller	9	机封压盖 Mechanical seal gland	15	填料 Stuffing	21	锁紧螺母 Locking nut
4	密封环 Seal-ring	10	轴承 Bearing	16	填料环 Stuffing ring	22	轴承体 Bearing body
5	键 Key	11	轴 Shaft	17	填料压盖 Stuffing gland		
6	轴套 Shaft sleeve	12	挡水圈 Water baffle	18	轴承压盖 Seal gland		

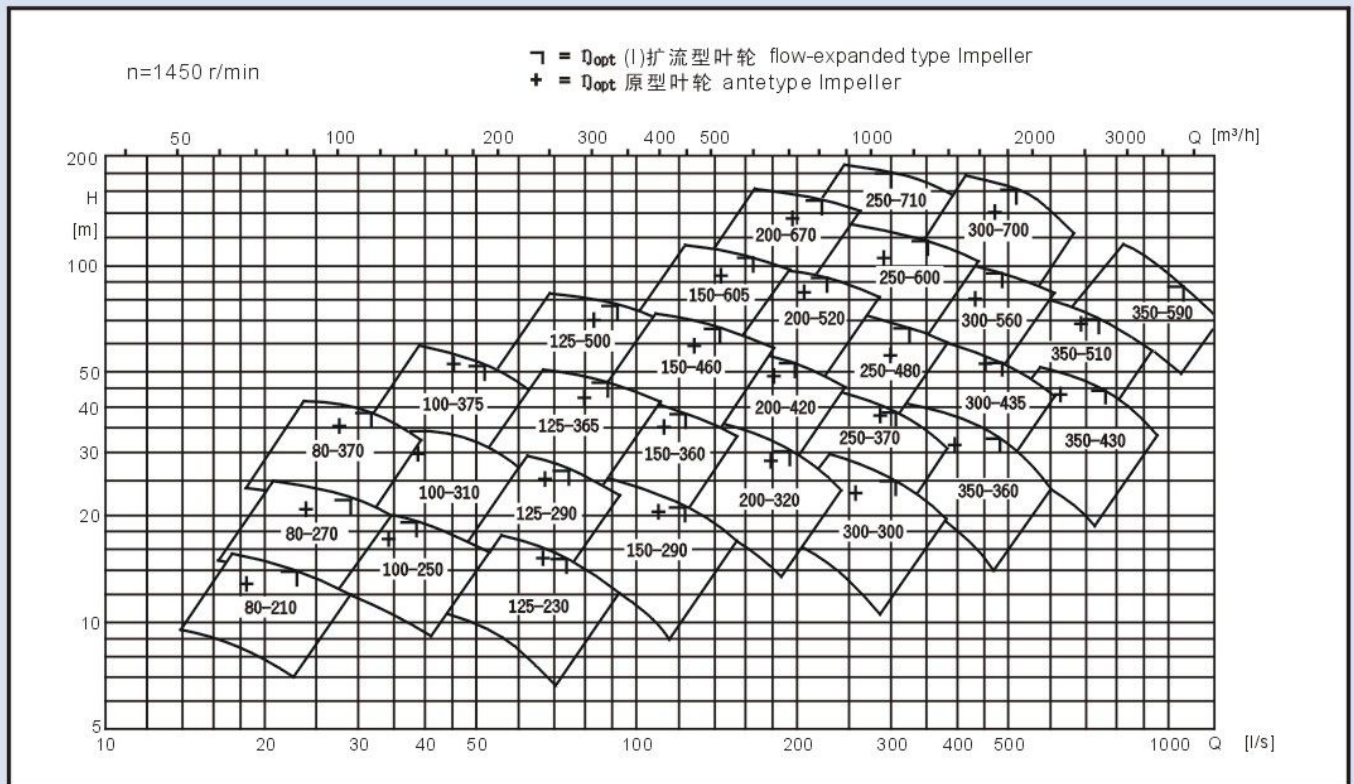
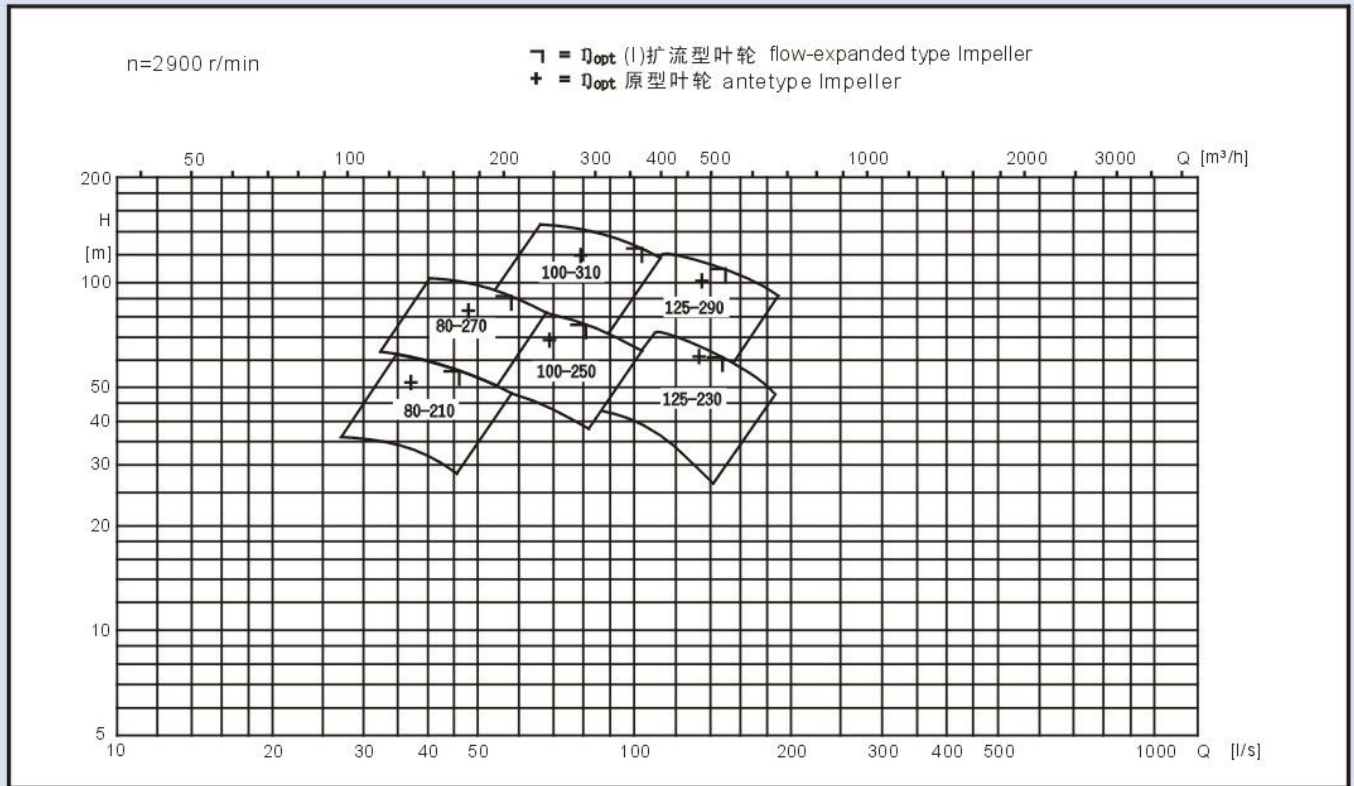
GTOS型卧式泵结构图 Structural drawing of model GTOS horizontal pump

GTOS1000-1040~GTOS1400-1420



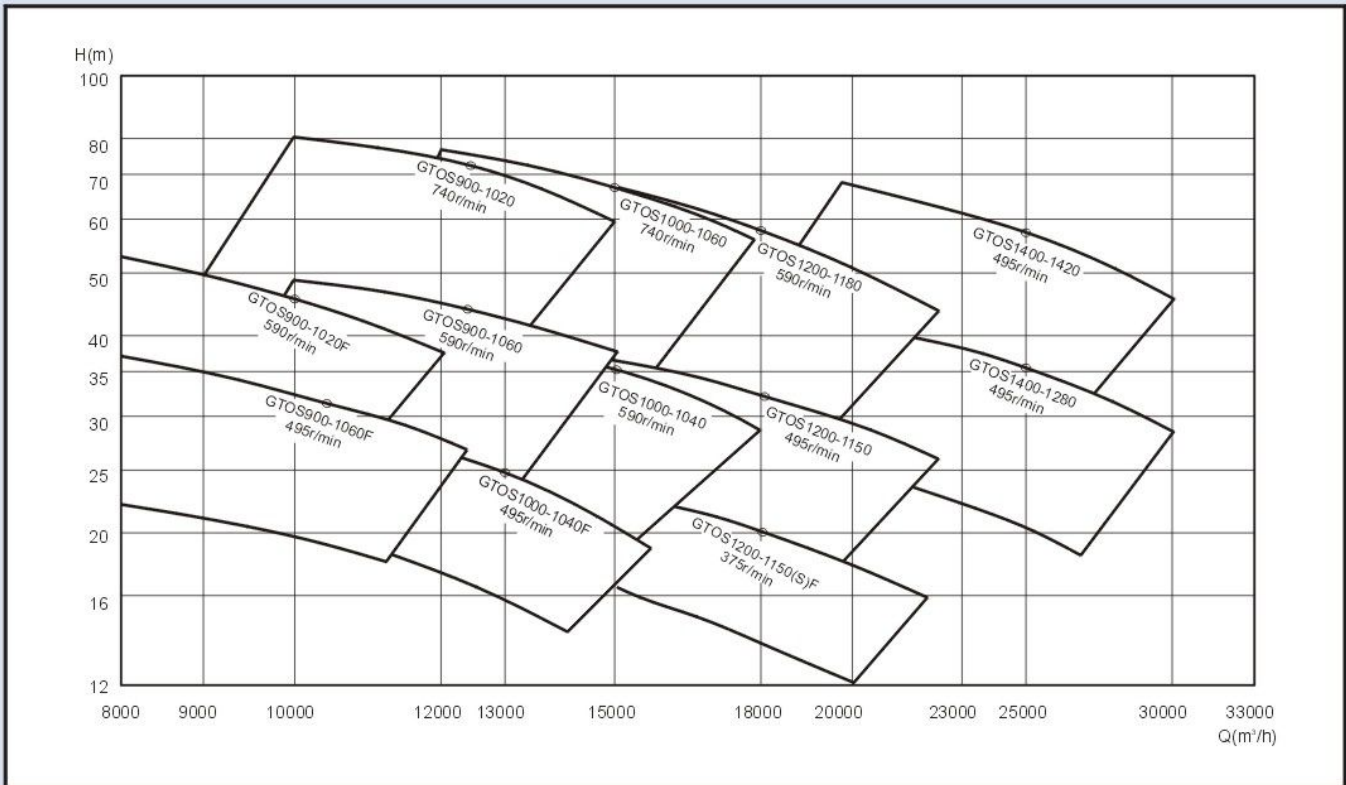
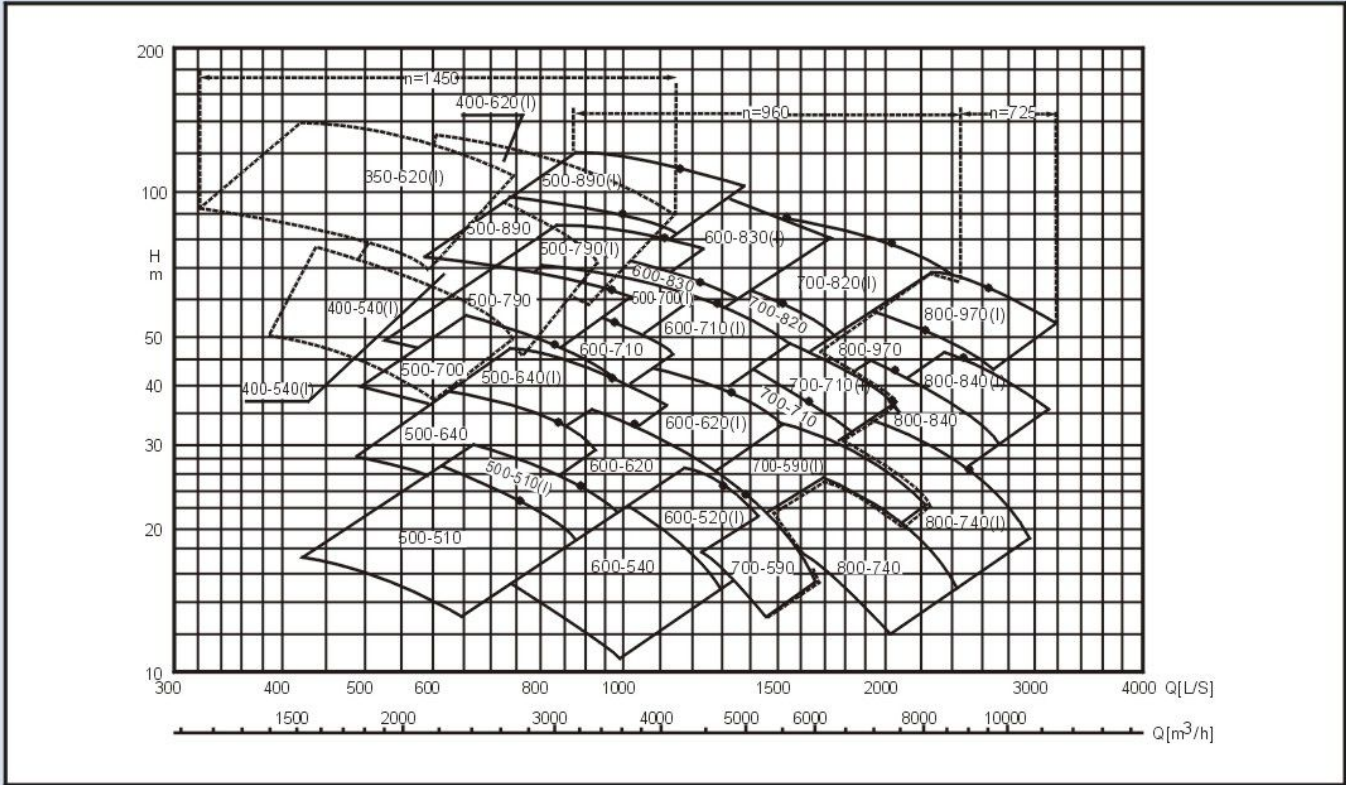
1	泵体 Pump casing	6	密封环 Seal-ring
2	泵盖 Pump cover	7	轴套 Muff
3	叶轮 Impeller	8	填料 Stuffing
4	轴 Shaft	9	滑动轴承部件 Sliding bearing part
5	键 Key	10	冲洗水管 Washing pipe

GTOS型谱图 GTOS Characteristics



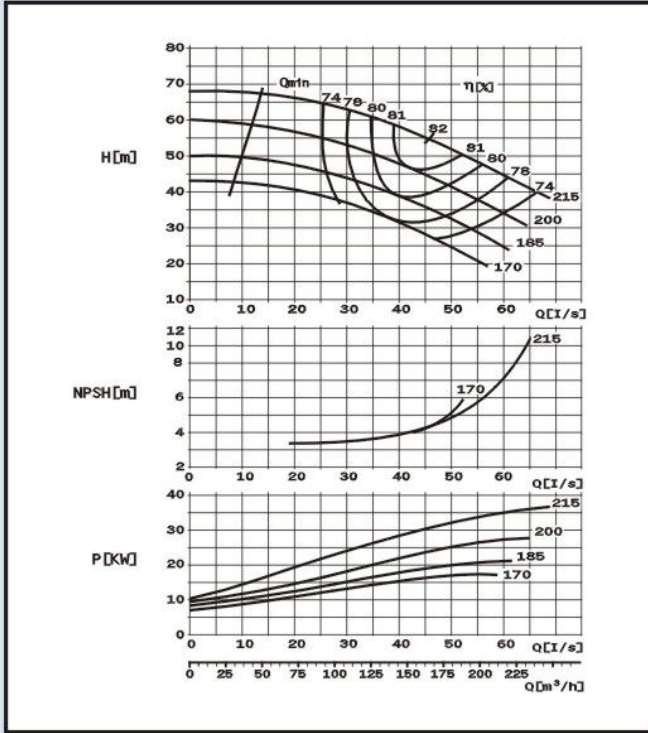
注：可根据要求设计及提供超出标准性能范围的产品。Other performance pumps can be designed by orders

GTOS型谱图 GTOS Characteristics

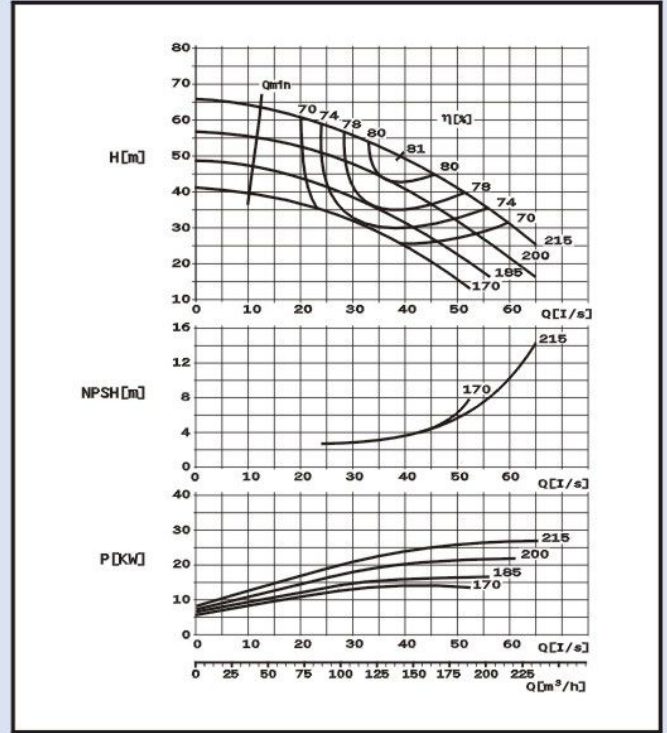


GTOS型泵特性曲线 GTOS Type pump performance curve chart

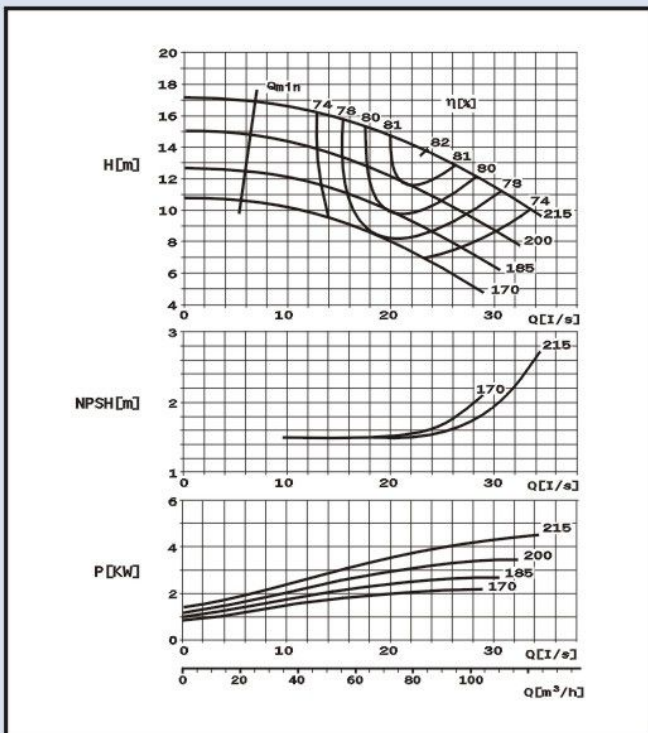
80-210 (I)G n=2900r/min



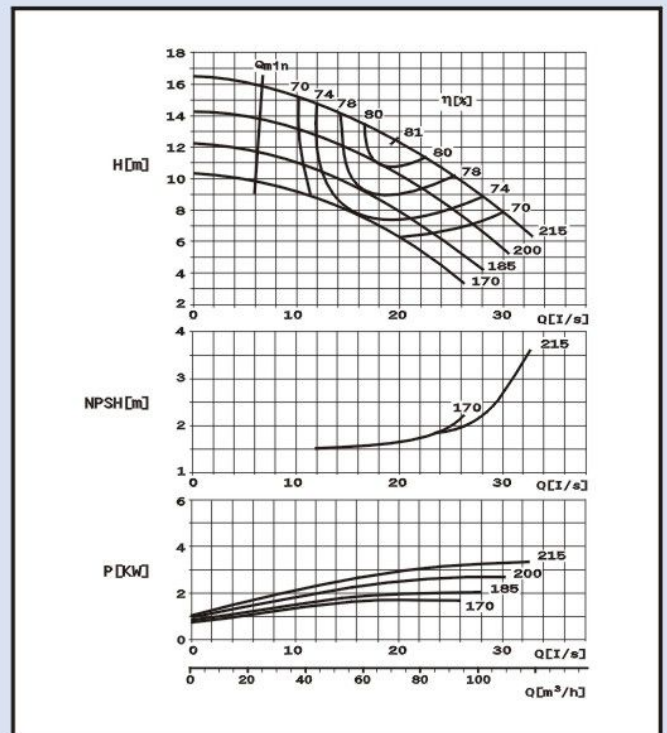
80-210 G n=2900r/min



80-210 (I) n=1450r/min



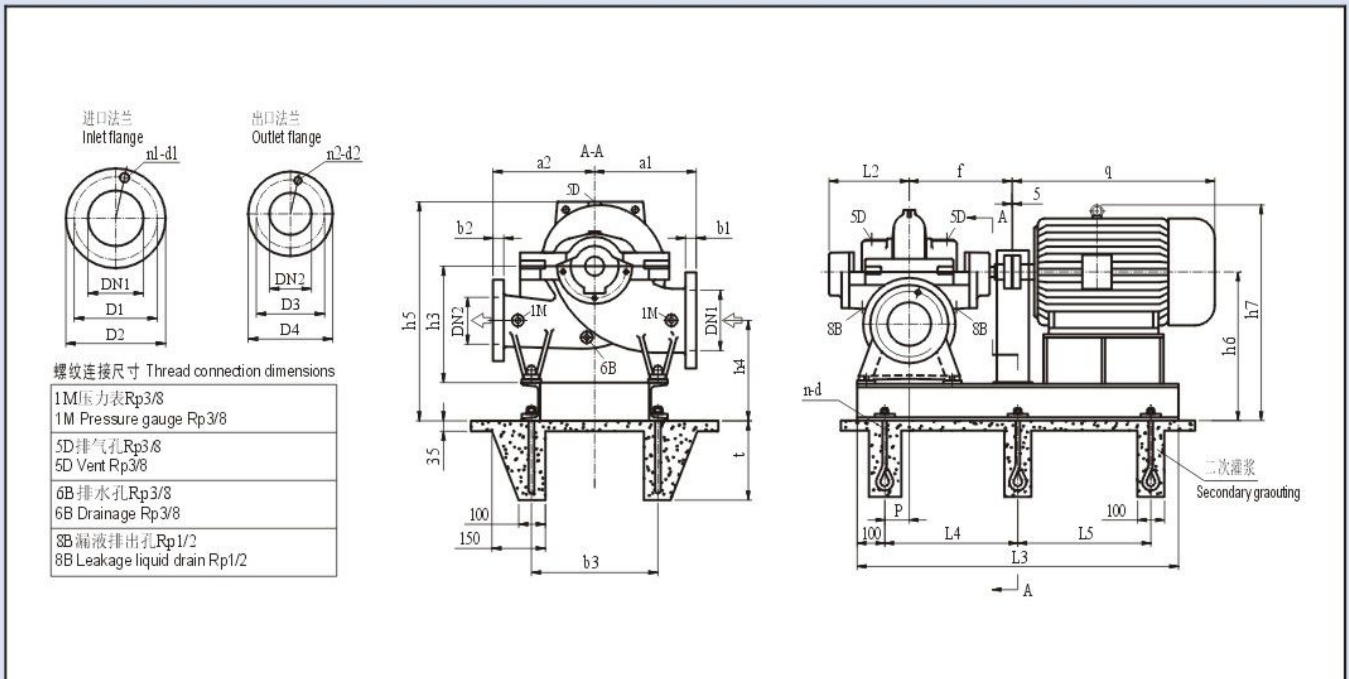
80-210 n=1450r/min



GTOS型泵性能参数表 Performance parameters of GTOS pump

泵型号 Type	流量 Capacity Q		扬程 Head m	转速 Speed r/min	轴功率 Shaft power kW	效率 Eff. η %	有效汽 蚀余量 (NPSH) _r m	电机功率 Motor power kW	叶轮参 考直径 D(mm)	泵型号 Type	流量 Capacity Q		扬程 Head m	转速 Speed r/min	轴功率 Shaft power kW	效率 Eff. η %	有效汽 蚀余量 (NPSH) _r m	电机功率 Motor power kW	叶轮参 考直径 D(mm)		
	m ³ /h	l/s									m ³ /h	l/s									
GTOS 80-210(I)G	A	131	36.4	60.5	2900	26.8	80.6	5.1	37	215	A	68	18.3	15	1450	3.4	80.5	2.1	5.5	215	
		164	45.6	56		83	23.1					13.8	3.8	82		79.5	2.7				79
		197	54.6	50		100	27.8					12.2	4.2	79.5		2.1	4.0				
	B	121	33.6	52	21.6	79.3	17.8	77.8	4.5	30	185	B	58	16.1	11	2.2	78	2.1	3.0	185	
		151	42	47.5	24.1	81.0		80					2.4	80.5	1.8	76					
		181	50.4	42.2	26.1	80		7.7					2.0	78	2.1	3.0					
C	110	30.6	37	14.7	75.3	16.7	77.8	4.3	22	170	C	55	15.3	9.1	1.8	76	2.1	3.0	170		
	137	38	33.5	16	77.8		7.4					2.0	78	2.1	3.0						
	164	45.6	27.7	16.7	74		7.4					2.1	75	2.1	3.0						
GTOS 80-210G	A	107	29.7	55.5	2900	20.5	79	4.0	30	215	A	52	14.5	14.2	1450	2.6	78	2.1	4.0	215	
		134	37.1	51		17.6	80.1					80.1	2.9	81		2.1	4.0				
		160	44.5	46		19.3	80					80.1	3.1	80.2		2.1	4.0				
	B	100	27.8	40	14.4	75.5	15.6	78.2	3.7	22	185	B	50	13.9	10	1.8	76	2.1	3.0	185	
		124	34.5	36	15.6	78.2		7.4					2.0	78	2.1	3.0					
		149	41.4	30	16.5	74		7.4					2.0	76.2	2.1	3.0					
C	91	25.2	35	12.1	71.5	12.9	74	3.5	18.5	170	C	47	13.1	8.7	1.5	70	2.1	2.2	170		
	113	31.6	31	12.9	74		7.2					1.8	74	2.1	2.2						
	136	37.6	27	13.9	72		7.2					1.8	71	2.1	2.2						

GTOS卧式泵安装尺寸图及主要外型尺寸 Installing dimensions of GTOS pump and outline size

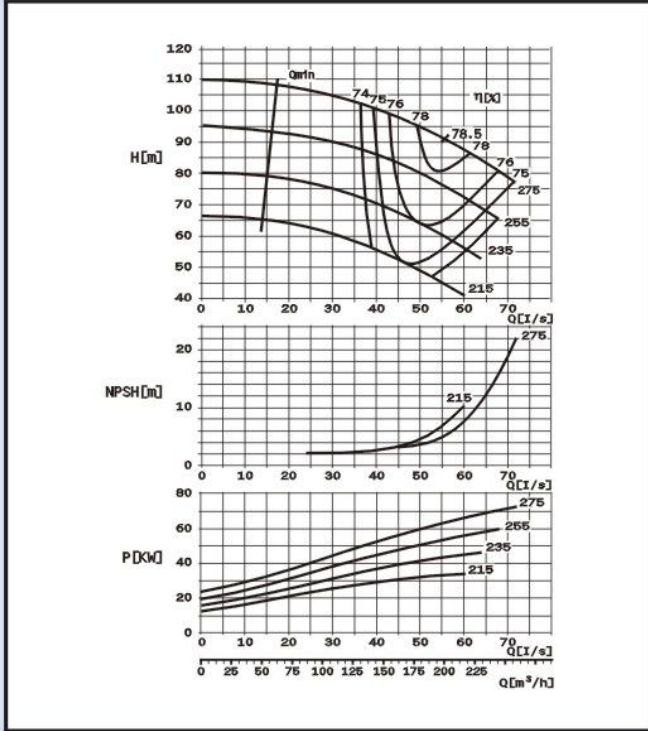


泵型号 Pump type	法兰尺寸 Flange dimension											a1	a2	f	h5≤	L2	h3	泵重量 Pump weight		
	DN1	D1	D2	n1-d1	b1	PN	DN2	D3	D4	n2-d2	b2							PN	泵重 Pump weight	含水重 Water weight
80-210	125	210	250	8-φ19	26	1.6MPa	80	160	200	8-φ19	22	1.6MPa	300	300	415	660	300	315	195	10

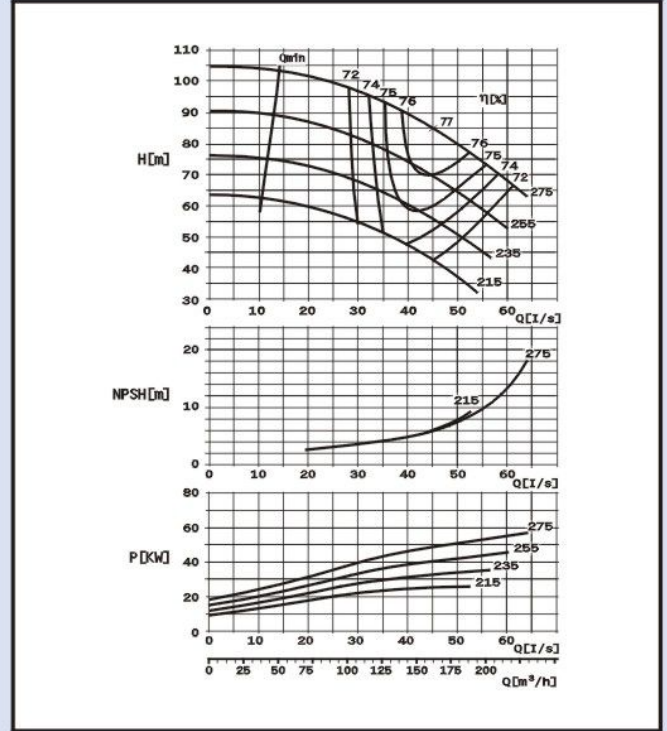
泵型号 Pump type	电机型号 Motor type	功率 Power	电压 Voltage	防护等级 Protection grade	b3	h4	h6	h7	L3	L4/L5	L6	t	p	q	电机重量 Motor weight	底座重量 Base weight	地脚螺栓 Anchor bolt
80-210	Y100L-4	2.2	380V	IP44	340	315	455	600	880	340	-	300	70	380	39	70	6-M16×300
	Y112M-4	4.0	380V	IP44	340	315	455	608	890	345	-	300	70	400	45	70	6-M16×300
	Y132S-4	5.5	380V	IP44	340	315	455	638	930	365	-	300	70	475	72	80	6-M16×300
	Y160L-2	18.5	380V	IP44	340	315	455	680	1100	450	-	300	70	650	150	70	6-M16×300
	Y180M-2	22	380V	IP44	340	315	455	705	1110	455	-	300	70	670	182	70	6-M16×300
	Y200L-2	30	37	380V	IP44	340	315	455	730	1190	495	-	300	70	775	255	100

GTOS型泵特性曲线 GTOS Type pump performance curve chart

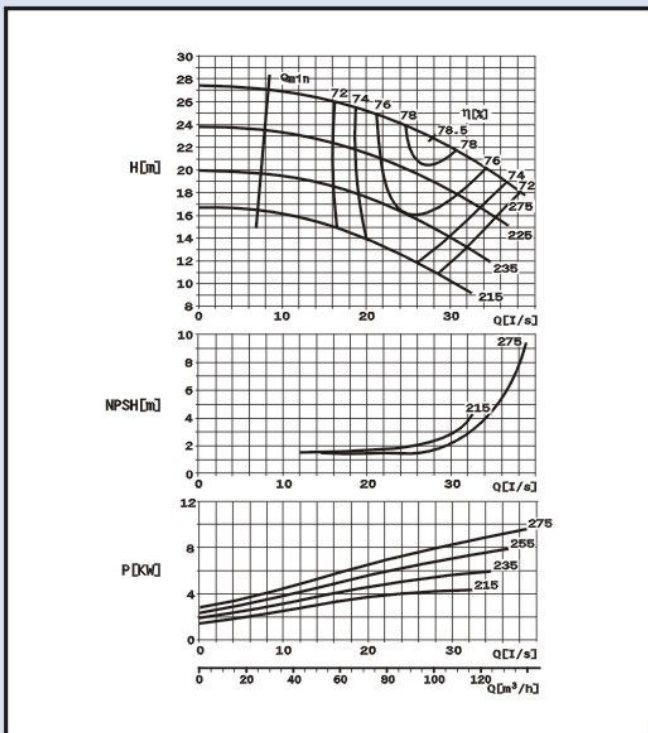
80-270 (I)G n=2900r/min



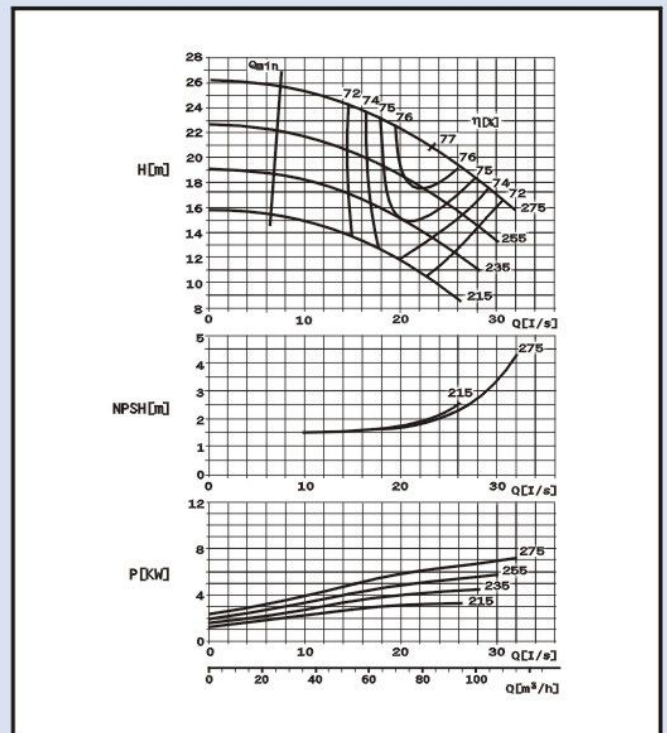
80-270 G n=2900r/min



80-270 (I) n=1450r/min



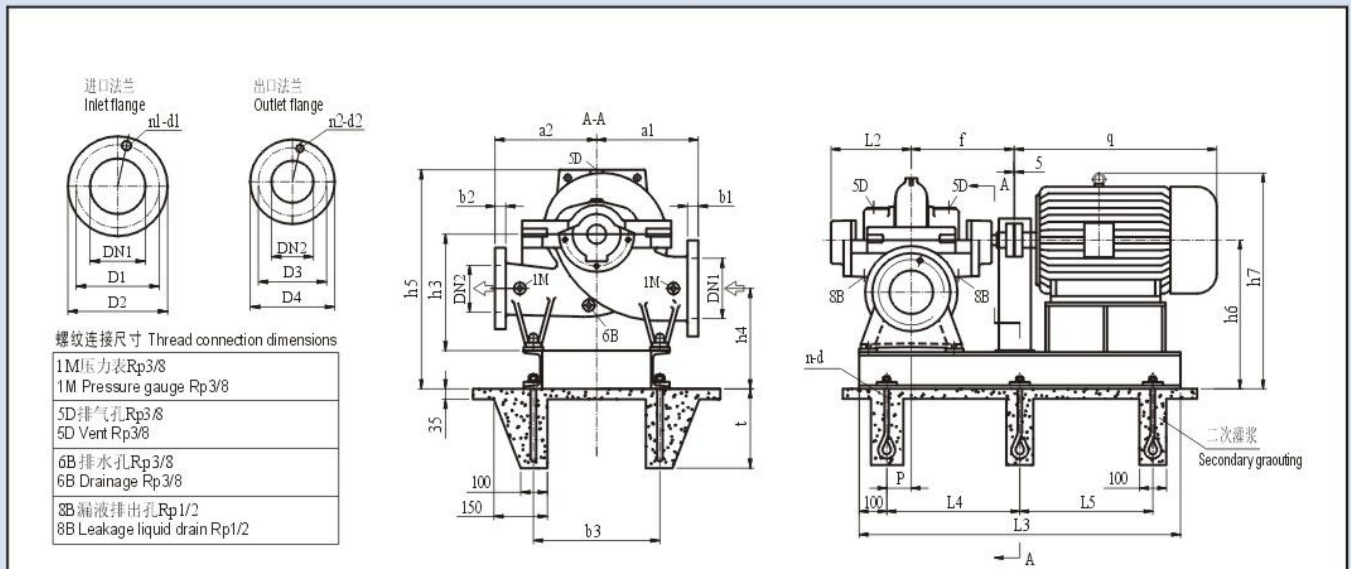
80-270 n=1450r/min



GTOS型泵性能参数表 Performance parameters of GTOS pump

泵型号 Type	流量 Capacity Q		扬程 Head m	转速 Speed r/min	轴功率 Shaft power kW	效率 Eff. η %	有效汽 蚀余量 (NPSH) r m	电机功率 Motor power kW	叶轮参 考直径 D(mm)	泵型号 Type	流量 Capacity Q		扬程 Head m	转速 Speed r/min	轴功率 Shaft power kW	效率 Eff. η %	有效汽 蚀余量 (NPSH) r m	电机功率 Motor power kW	叶轮参 考直径 D(mm)		
	m ³ /h	l/s									m ³ /h	l/s									
GTOS 80-270(I)G	A	166	46.1	97.5	2900	57	77.2	7.0	75	275	80-270(I)	A	1450	7.0	77.5	2.8	11	275			
		207	57.5	90		8.1	78.5														
		248	69	79		8.8	75														
	B	156	43.2	83.5		46.6	76	6.0	75	255		B		80	22.2	21.3	6.1	75	2.7	11	255
		194	54	77		52.6	77.5														
		233	64.8	69		58.1	75.5														
C	147	40.8	70	37.5	74.7	5.3	55	235	C	67	18.6	13.8	3.4	74	2.5	5.5	215				
	173	48	63.5	41.8	76																
	198	55	55	44.6	74																
GTOS 80-270G	A	137	38	91	2900	44.6	76.1	7.3	75	275	GTOS 80-270	A	1450	5.7	75.8	2.4	7.5	275			
		171	47.5	82.5		49.9	77							6.2	76.8						
		205	57	72.5		54.1	75							6.7	75.4						
	B	123	34	79.5		35.6	74.4	6.0	55	255		B		68	18.9	23.1	4.0	75	2.2	7.5	255
		153	42.5	67		39.1	76.2							85	23.3	20.7	4.5	76			
		184	51	67		44.7	76							92	25.5	16	5.3	75			
C	116	31.9	66.8	28.5	73.7	5.5	37	235	C	58	16.1	16.5	3.5	73	2.1	5.5	235				
	144	40	60	31.3	75.2					72	20	15	3.9	75							
	173	48.1	53	33.7	74.2					86	23.9	13.2	4.2	74							
C	110	30.6	54.5	22.4	72.5	5.4	30	215	C	53	14.7	13.8	2.7	72	2.1	4.0	215				
	137	38.1	49	24.5	74.4					60	16.5	12.5	3.0	74							
	164	45.6	42	26.9	72.5					80	22.2	10.6	3.2	73							

GTOS卧式泵安装尺寸图及主要外型尺寸 Installing dimensions of GTOS pump and outline size

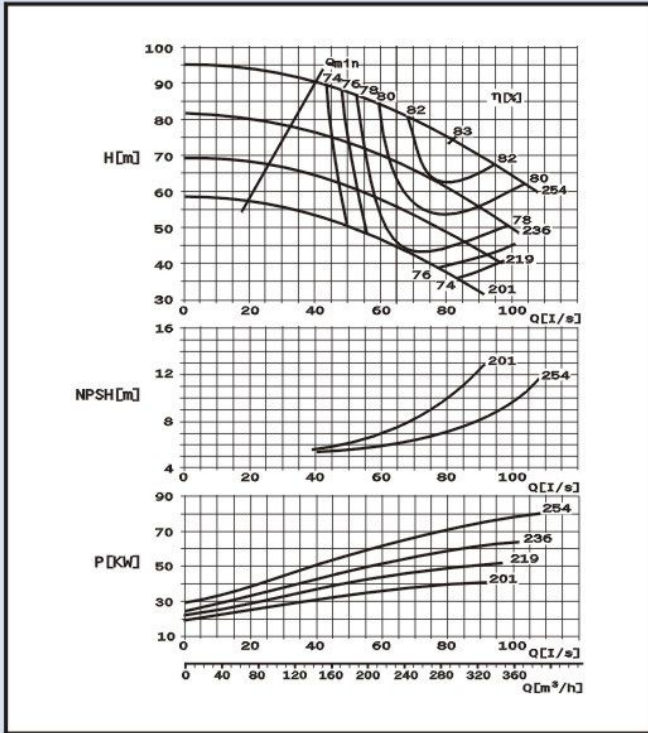


泵型号 Pump type	法兰尺寸 Flange dimension											a1	a2	f	h5 ≤	L2	h3	泵重量 Pump weight		
	DN1	D1	D2	n1-d1	b1	PN	DN2	D3	D4	n2-d2	b2							PN	泵重 Pump weight	含水重 Water weight
80-270	125	210	250	8-φ19	26	1.6MPa	80	160	200	8-φ19	22	1.6MPa	300	300	415	660	300	315	205	15

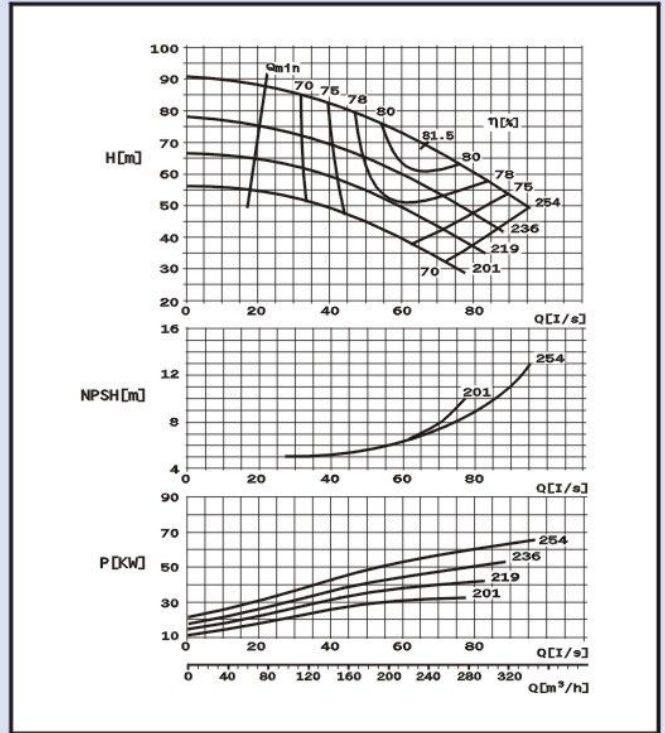
泵型号 Pump type	电机型号 Motor type	功率 Power	电压 Voltage	防护等级 Protection grade	b3	h4	h6	h7	L3	L4/L5	L6	t	p	q	电机重量 Motor weight	底座重量 Base weight	地脚螺栓 Anchor bolt
80-270	Y112M-4	4	380V	IP44	340	315	455	608	890	345	-	300	70	400	45	70	6-M16×300
	Y132S-4	5.5	380V	IP44	340	315	455	638	930	365	-	300	70	475	72	80	6-M16×300
	Y132M-4	7.5	380V	IP44	340	315	455	638	970	385	-	300	70	515	84	80	6-M16×300
	Y160M-4	11	380V	IP44	340	315	455	680	1050	425	-	300	70	605	130	80	6-M16×300
	Y200L-2	30 37	380V	IP44	340	315	455	730	1190	495	-	300	70	775	255	100	6-M16×300
	Y225M-2	45	380V	IP44	420	315	455	760	1230	515	-	300	70	815	308	100	6-M16×300
	Y250M-2	55	380V	IP44	450	315	455	780	1320	560	-	300	70	930	406	110	6-M16×300
	Y280S-2	75	380V	IP44	510	315	455	815	1390	595	-	300	70	1000	544	140	6-M16×300

GTOS型泵特性曲线 GTOS Type pump performance curve chart

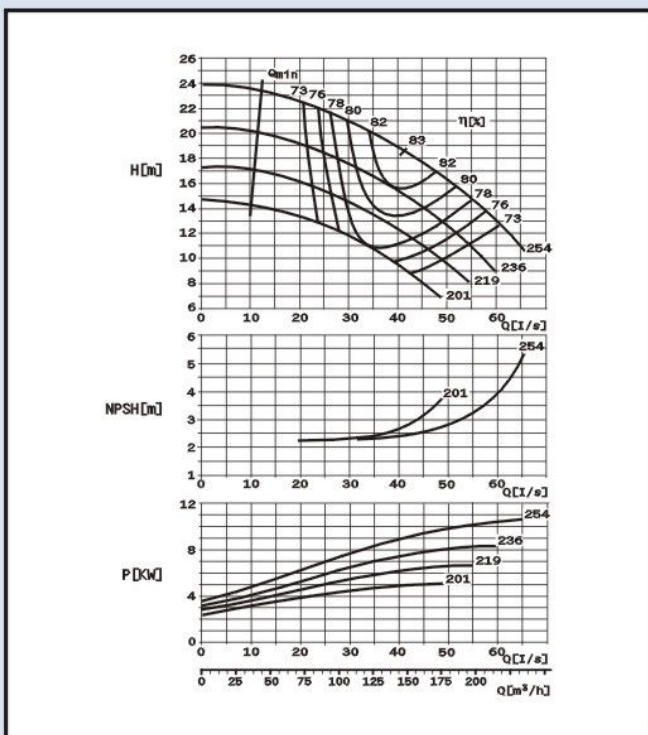
100-250 (I)G n=2900r/min



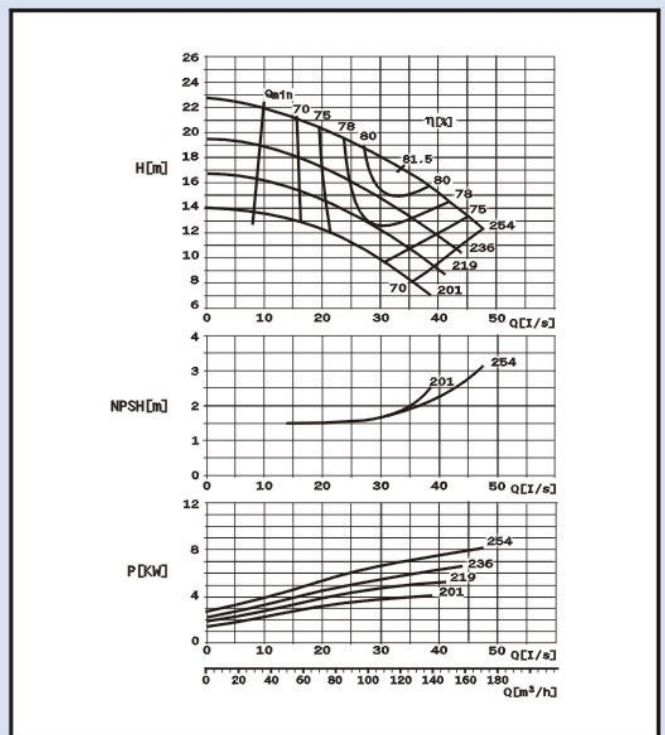
100-250 G n=2900r/min



100-250 (I) n=1450r/min



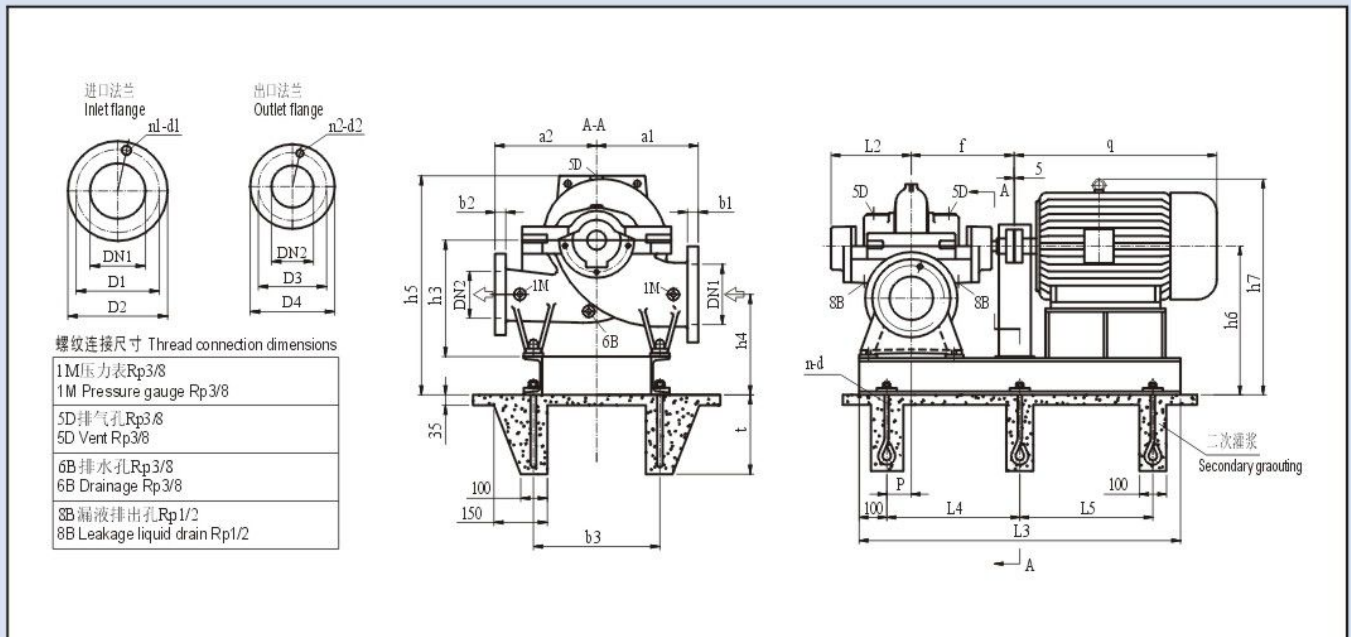
100-250 n=1450r/min



GTOS型泵性能参数表 Performance parameters of GTOS pump

泵型号 Type	流量 Capacity Q		扬程 Head m	转速 Speed r/min	轴功率 Shaft power kW	效率 Eff. η %	有效汽 蚀余量 (NPSH) _r m	电机功率 Motor power kW	叶轮参 考直径 D(mm)	泵型号 Type	流量 Capacity Q		扬程 Head m	转速 Speed r/min	轴功率 Shaft power kW	效率 Eff. η %	有效汽 蚀余量 (NPSH) _r m	电机功率 Motor power kW	叶轮参 考直径 D(mm)						
	m ³ /h	l/s									m ³ /h	l/s													
GTOS 100-250(I)G	A	230	64	83	2900	64.2	80.7	9.0	90	254	A	115	31.9	21.2	1450	8.2	80.7	2.9	11	254					
		288	80	75		144	40					18.8	6.7	79		2.9	11				236				
		346	96	67		173	48.1					17.5	7.4	81											
	B	219	60.8	69		51.9	79.3				9.5	75	236	100		27.8	14.6				6.1	77.8	2.9	7.5	219
		274	76	63		58.3	80.5				7.7	55	219	128		35	13.5				6.3	77.6	2.9	7.5	219
		328	91.2	55		62.3	79				4.5	201	150	41.7		11.9	4.2				75.5	2.9	7.5	201	
C	193	53.6	49	33.9	76	9.7	45	201	97	26.8	12.2	4.2	75.5	2.9	7.5	201									
	240	66.7	45	37.7	78	7.4	75	254	120	33.8	11.2	4.7	77.6	2.4	11	254									
	290	80.6	37	39.2	74.5	8.6	75	254	145	40.2	9.5	6.2	75.5	2.4	11	254									
GTOS 100-250G	A	196	54.4	75	50	80	8.6	75	254	98	27.2	18.8	6.2	78	2.3	7.5	236								
		245	68	68	40.6	78	7.8	55	236	112	31.2	14.6	5.1	79.5	2.3	7.5	236								
		294	81.6	59	44.7	79.5	7.7	45	219	135	37.4	12.7	6.0	77.2	2.2	7.5	219								
	B	165	45.8	56	32.9	76.5	7.4	45	219	85	23.8	13.7	4.1	77	2.1	5.5	201								
		205	57	51	36.8	77.5	7.6	37	201	106	29.4	12.5	4.7	78	2.1	5.5	201								
		246	68.4	44	38.8	75	7.1	37	201	128	35.5	11.3	3.3	76	2.1	5.5	201								
C	150	41.7	48	26.4	76	7.5	37	201	75	20.8	12.1	3.3	76	2.1	5.5	201									
	190	52.8	43	29.1	76	7.5	37	201	94	26.1	11	3.3	76	2.1	5.5	201									
	227	63	38	31.1	75.5	7.1	37	201	113	31.4	9.6	3.9	75.2	2.1	5.5	201									

GTOS卧式泵安装尺寸图及主要外型尺寸 Installing dimensions of GTOS pump and outline size

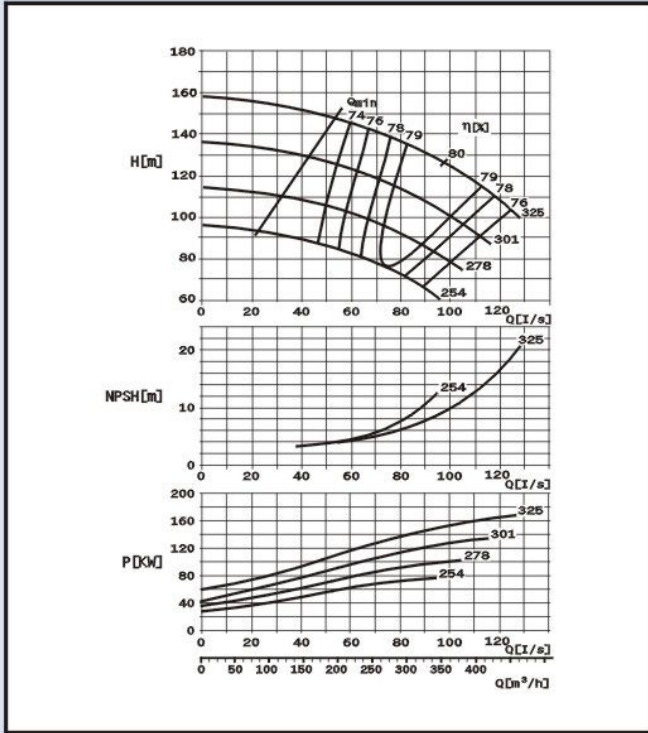


泵型号 Pump type	法兰尺寸 Flange dimension											a1	a2	f	h5 ≤	L2	h3	泵重量 Pump weight		
	DN1	D1	D2	n1-d1	b1	PN	DN2	D3	D4	n2-d2	b2							PN	泵重 Pump weight	含水重 Water weight
100-250	150	240	285	8-φ23	26	1.6MPa	100	180	220	8-φ19	24	1.6MPa	330	330	415	760	300	355	220	20

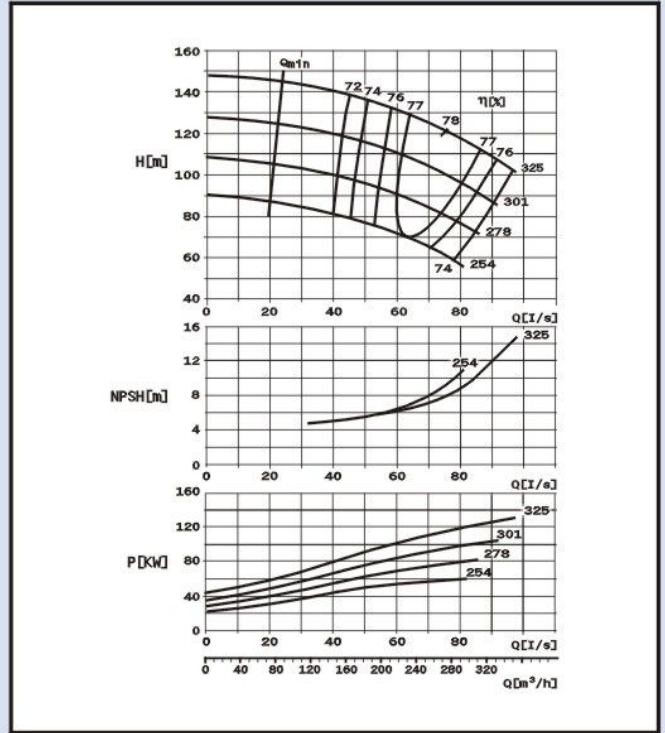
泵型号 Pump type	电机型号 Motor type	功率 Power	电压 Voltage	防护等级 Protection grade	b3	h4	h6	h7	L3	L4/L5	L6	t	p	q	电机重量 Motor weight	底座重量 Base weight	地脚螺栓 Anchor bolt
100-250	Y132S-4	5.5	380V	IP44	400	325	495	678	930	365	-	300	70	475	72	90	6-M16×300
	Y132M-4	7.5	380V	IP44	400	325	495	678	970	385	-	300	70	515	84	90	6-M16×300
	Y160M-4	11	380V	IP44	400	325	495	720	1060	430	-	300	70	605	130	110	6-M16×300
	Y200L-2	37	380V	IP44	400	325	495	770	1190	495	-	300	70	775	255	110	6-M16×300
	Y225M-2	45	380V	IP44	400	325	495	800	1210	505	-	300	70	815	308	110	6-M16×300
	Y250M-2	55	380V	IP44	490	345	515	840	1320	560	-	300	70	930	403	140	6-M16×300
	Y280S-2	75	380V	IP44	510	345	515	875	1390	595	-	300	70	1000	544	160	6-M16×300
	Y280M-2	90	380V	IP44	510	345	515	875	1440	620	-	300	70	1050	620	160	6-M16×300

GTOS型泵特性曲线 GTOS Type pump performance curve chart

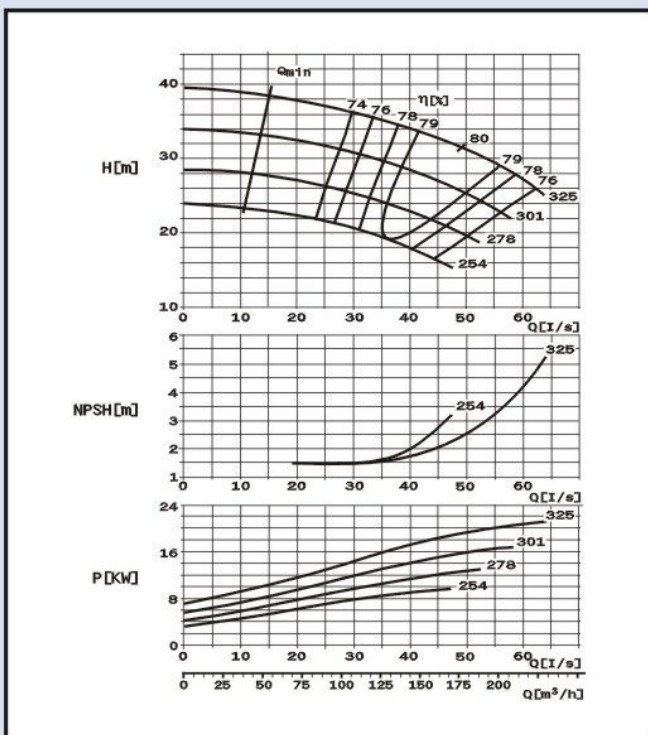
100-310 (I)G n=2900r/min



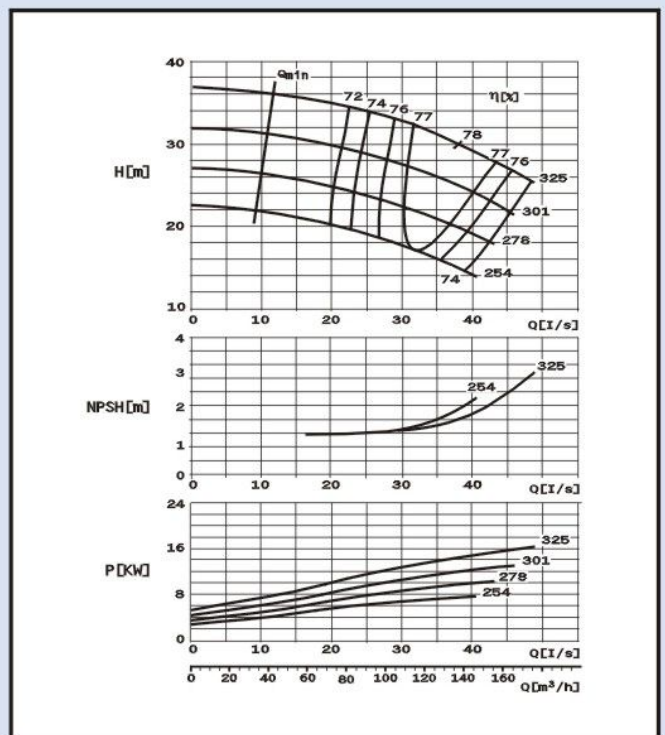
100-310 G n=2900r/min



100-310 (I) n=1450r/min



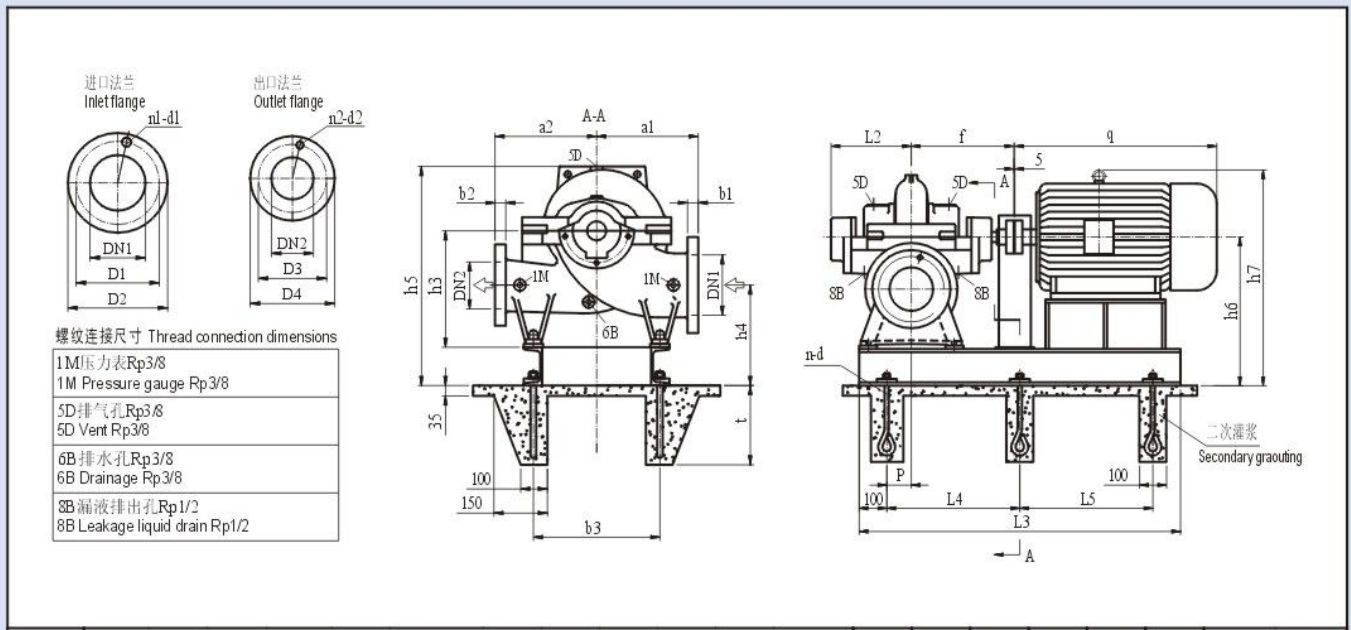
100-310 n=1450r/min



GTOS型泵性能参数表 Performance parameters of GTOS pump

泵型号 Type	流量 Capacity Q		扬程 Head m	转速 Speed r/min	轴功率 Shaft power kW	效率 Eff. η %	有效汽 蚀余量 (NPSH) _r m	电机功率 Motor power kW	叶轮参 考直径 D(mm)	泵型号 Type	流量 Capacity Q		扬程 Head m	转速 Speed r/min	轴功率 Shaft power kW	效率 Eff. η %	有效汽 蚀余量 (NPSH) _r m	电机功率 Motor power kW	叶轮参 考直径 D(mm)	
	m ³ /h	l/s									m ³ /h	l/s								
GTOS 100-310(I)G	A	294	81.6	135	2900	137.7	78.5	13.7	200	325	A	148	41.1	34	1450	17.4	78.5	3.1	22	325
		367	102	123		186	51.3					31	19.6	80		77.5				
		440	122.2	105		222	61.7					26.8	21	79.6						
	B	268	74.4	116	106	121.4	78.3	12.2	160	301	B	133	36.8	29.3	13.4	79	2.7	18.5	301	
		335	93	106	121.4	79.6	77	93.5	79.3	77.4										
		402	111.7	92	131	77	102.5	10.7	110	278										
C	182	50.5	82	82.7	78.1	9.2	90	254	C	120	33.3	24.8	10.5	78	2.5	15	278			
	242	67.2	98	93.5	79.3	77.2	52.8	77		77.8										
	302	83.9	90	102.5	79.3	77.2	70.7	78.3		76										
GTOS 100-310G	A	226	62.8	130	2900	105	76.5	10.2	132	325	A	112	31.2	32.5	1450	13	76.6	2.7	18.5	325
		283	78.5	119		117.4	78					128.5	11.4	78		78				
		340	94.4	105		128.5	75.5					102.5	9.0	90		278				
	B	208	57.8	111	81.8	76.3	9.5	110	301	B	106	29.4	27.5	10.4	76.6	2.5	15	301		
		260	72.2	103	93.7	77.6	76	100	278		B	133	37	26.5	11.6	77.6	2.4	11	278	
		310	86.1	90	100	76	65.8	76.1	75			75								
C	187	52	78	53.1	75	8.5	75	254	C	94		26.1	19.4	6.5	76.5	2.3	11	254		
	234	65	89	57.1	77	75	81.2	75		C	117	32.5	17	6.9	77	2.3	11	254		
	281	78.1	90	61.2	75	8.5	75	254												

GTOS卧式泵安装尺寸图及主要外型尺寸 Installing dimensions of GTOS pump and outline size



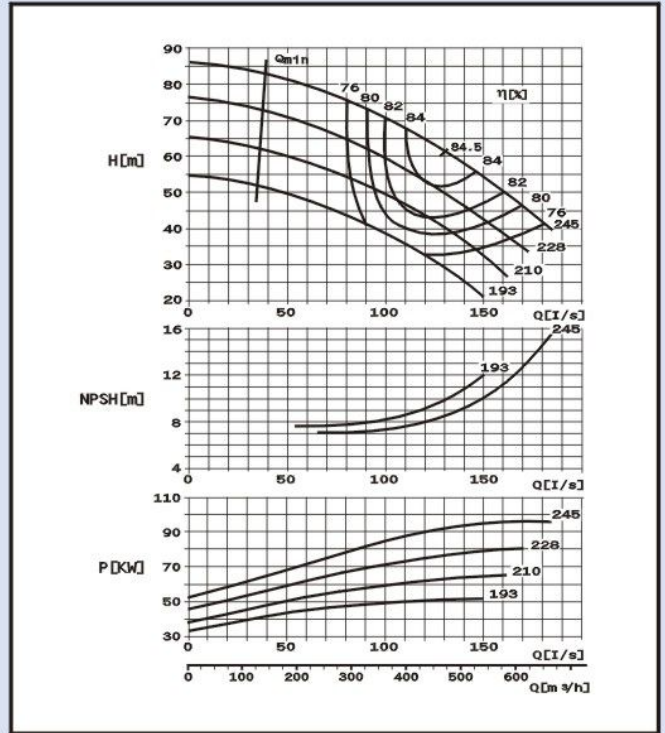
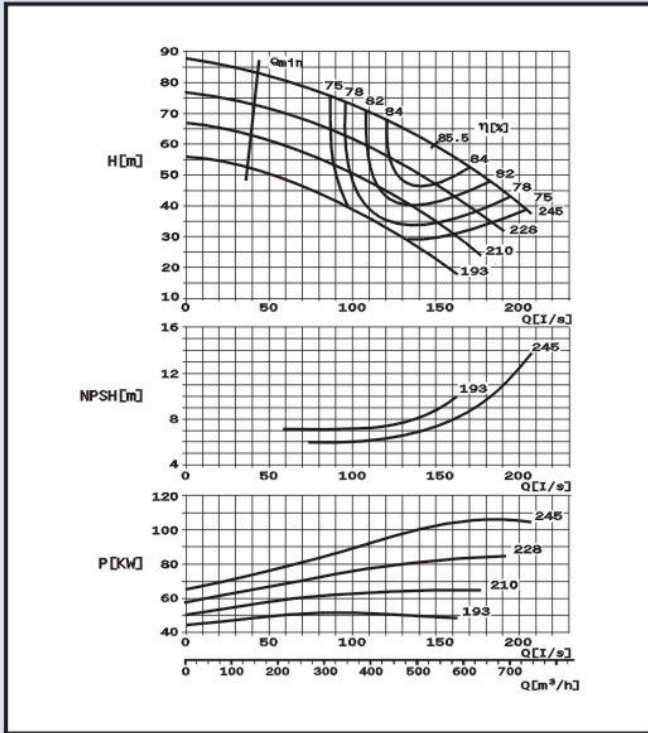
泵型号 Pump type	法兰尺寸 Flange dimension											a1	a2	f	h5 ≤	L2	h3	泵重量 Pump weight		
	DN1	D1	D2	n1-d1	b1	PN	DN2	D3	D4	n2-d2	b2							PN	泵重 Pump weight	含水重 Water weight
100-310	150	240	285	8-φ23	26	1.6MPa	100	180	220	8-φ19	24	1.6MPa	330	330	415	760	300	355	236	25

泵型号 Pump type	电机型号 Motor type	功率 Power	电压 Voltage	防护等级 Protection grade	b3	h4	h6	h7	L3	L4/L5	L6	t	p	q	电机重量 Motor weight	底座重量 Base weight	地脚螺栓 Anchor bolt
100-310	Y160M-4	11	380V	IP44	400	325	495	720	1060	430	-	300	70	605	130	110	6-M16×300
	Y160L-4	15	380V	IP44	400	325	495	720	1100	450	-	300	70	650	145	110	6-M16×300
	Y180M-4	18.5	380V	IP44	400	325	495	745	1100	450	-	300	70	670	180	120	6-M16×300
	Y180L-4	22	380V	IP44	400	325	495	745	1140	470	-	300	70	710	200	120	6-M16×300
	Y280S-2	75	380V	IP44	510	345	515	875	1390	595	-	300	70	1000	544	160	6-M16×300
	Y280M-2	90	380V	IP44	510	345	515	875	1440	620	-	300	70	1050	620	160	6-M16×300
	Y315S-2	110	380V	IP44	580	365	535	1085	1480	640	-	400	70	1240	980	250	6-M20×400
	Y315M-2	132	380V	IP44	580	365	535	1085	1530	665	-	400	70	1310	1080	250	6-M20×400
Y315L-2	160	200	380V	IP44	580	365	535	1085	1560	680	-	400	70	1310	1220	250	6-M20×400

GTOS型泵特性曲线 GTOS Type pump performance curve chart

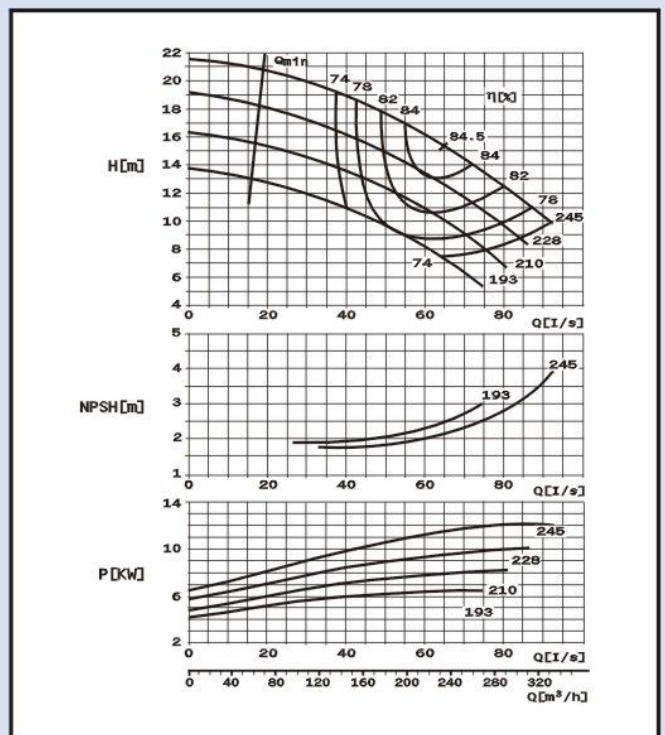
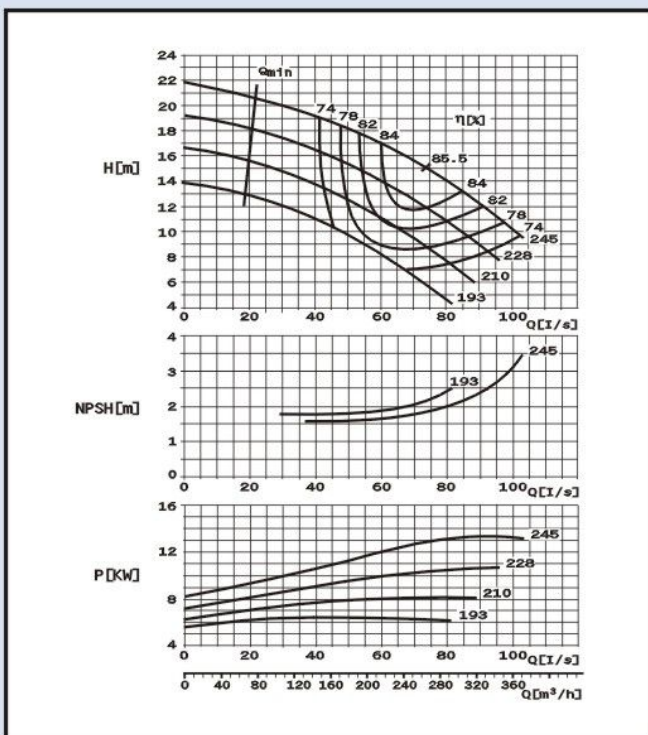
125-230 (I)G n=2900r/min

125-230 G n=2900r/min



125-230 (I) n=1450r/min

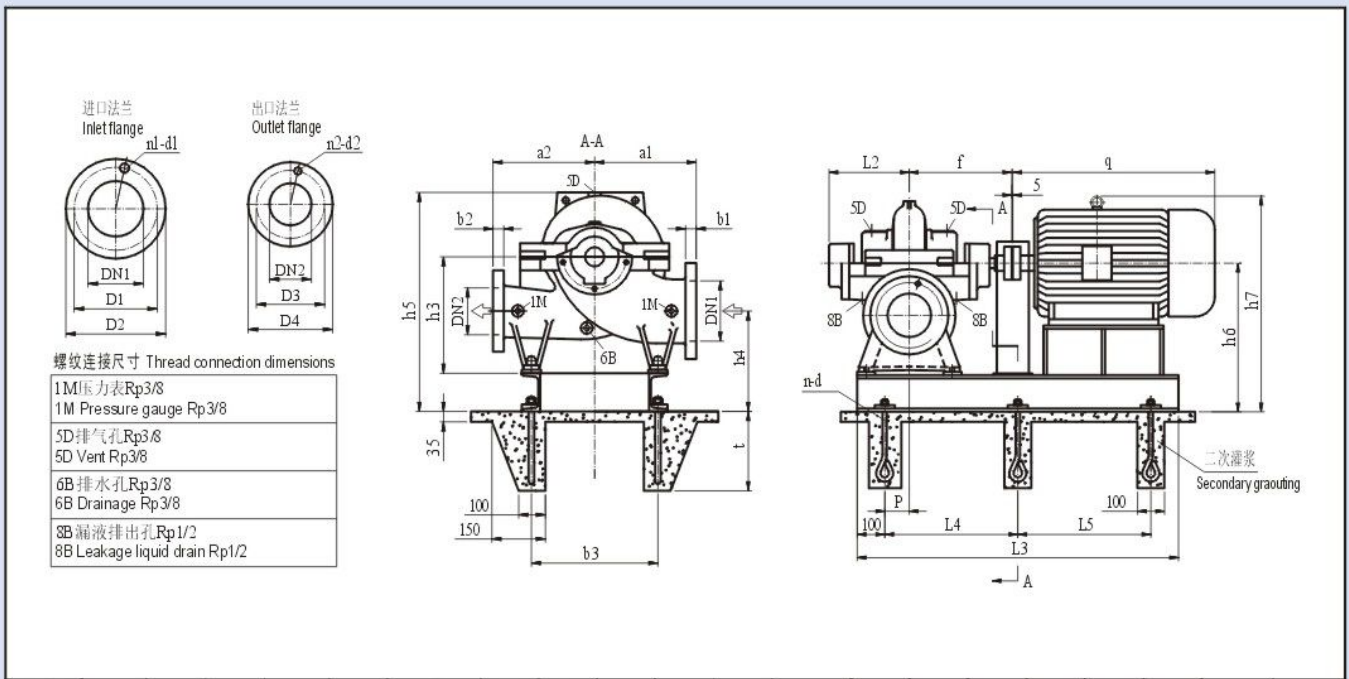
125-230 n=1450r/min



GTOS型泵性能参数表 Performance parameters of GTOS pump

泵型号 Type	流量 Capacity Q		扬程 Head m	转速 Speed r/min	轴功率 Shaft power kW	效率 Eff. η %	有效汽 蚀余量 (NPSH) r m	电机功率 Motor power kW	叶轮参 考直径 D(mm)	泵型号 Type	流量 Capacity Q		扬程 Head m	转速 Speed r/min	轴功率 Shaft power kW	效率 Eff. η %	有效汽 蚀余量 (NPSH) r m	电机功率 Motor power kW	叶轮参 考直径 D(mm)			
	m³/h	l/s									m³/h	l/s										
GTOS 125-230(I)G	A	426	118.4	68	93.8	84.2	9.9	132	245	GTOS 125-230(I)	A	220	17	12.1	84	2.3	18.5	245				
		541	150.3									274							76.1	12.9	85.5	
		639	177.6									328							91.1	13.1	82	
	B	392	108.8	60	78.1	82	10.1	110	228		B	B	193	15	9.7	81	2.2	11	210			
		490	136.1										241							68.9	10.3	84.5
		585	163.2										290							80.5	10.4	82
	C	363	100.8	50	63.4	78	10.3	75	210		C	C	184	10.6	8.0	79.4	2.2	7.5	193			
		454	126										230							63.9	8.1	82.5
		544	151.2										277							76.9	8.0	76
GTOS 125-230G	A	340	94.4	40	49.4	75	10.7	55	193	GTOS 125-230	A	167	10.3	6.4	73	2.2	7.5	193				
		425	118									209							58.1	6.4	77.5	
		489	135.7									250							69.4	6.3	73	
	B	377	104.8	68	84.2	83	12.1	110	245		B	B	190	17	10.5	84.1	2.7	15	245			
		472	131										238							68.1	11.6	84.5
		560	157.2										307							85.3	11.5	80
	C	349	96.9	60	70.3	81	11.8	90	228		C	C	170	15	8.6	81	2.7	11	228			
		436	121										212							58.6	9.3	84
		523	145.2										265							70.8	9.7	82
B	328	91.2	52	60.1	77.5	11.9	75	210	B	B	164	13.0	7.5	78	2.7	11	210					
	410	114									205							58.9	7.8	82		
	493	136.7									248							68.4	7.9	78		
C	305	84.8	42.5	47.1	75	12.0	75	193	C	C	158	10.5	5.9	75	2.7	7.5	193					
	352	106									196							64.2	6.3	74		
	468	127.2									223							61.9	6.3	74		

GTOS卧式泵安装尺寸图及主要外型尺寸 Installing dimensions of GTOS pump and outline size

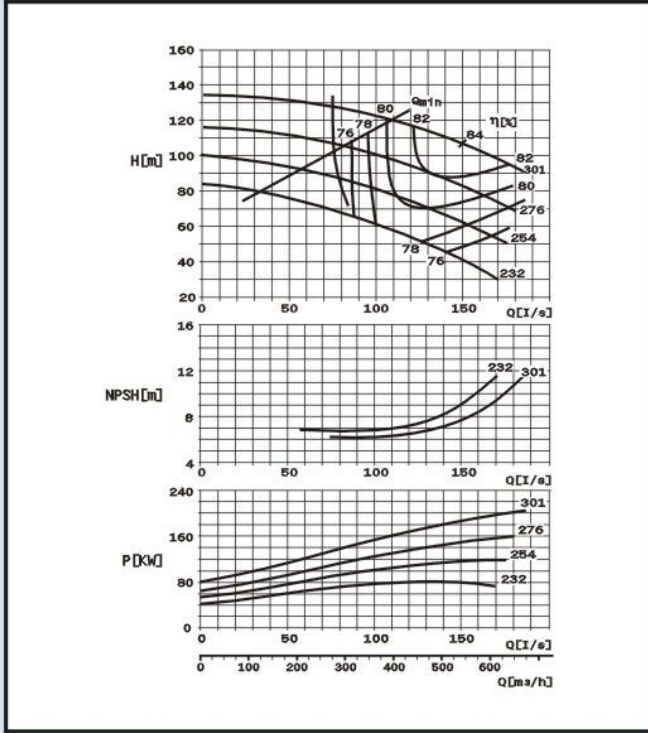


泵型号 Pump type	法兰尺寸 Flange dimension												a1	a2	f	h5≤	L2	h3	泵重量 Pump weight	
	DN1	D1	D2	n1-d1	b1	PN	DN2	D3	D4	n2-d2	b2	PN							泵重 Pump weight	含水量 Water content
125-230	200	295	340	12-φ23	30	1.6MPa	125	210	250	8-φ19	26	1.6MPa	370	370	515	825	366	400	263	35

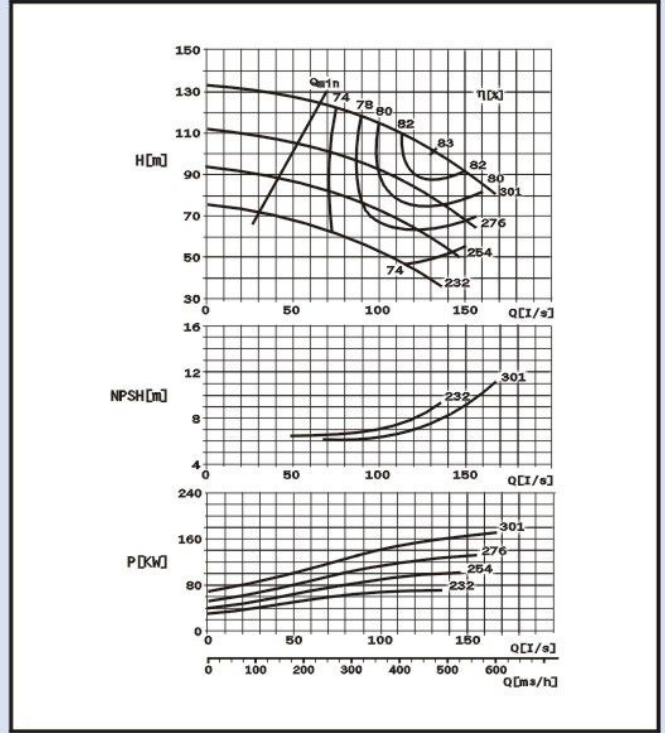
泵型号 Pump type	电机型号 Motor type	功率 Power	电压 Voltage	防护等级 Protection grade	b3	h4	h6	h7	L3	L4/L5	L6	t	p	q	电机重量 Motor weight	底座重量 Base weight	地脚螺栓 Anchor bolt
125-230	Y132M-4	7.5	380V	IP44	450	340	540	723	1100	450	-	300	105	515	84	100	6-M16×300
	Y160M-4	11	380V	IP44	450	340	540	765	1190	495	-	300	105	605	130	100	6-M16×300
	Y160L-4	15	380V	IP44	450	340	540	765	1240	520	-	300	105	650	145	100	6-M16×300
	Y180M-4	18.5	380V	IP44	450	340	540	790	1240	520	-	300	105	670	180	130	6-M16×300
	Y280S-2	75	380V	IP44	550	360	560	920	1520	660	-	300	105	1000	544	250	6-M16×300
	Y280M-2	90	380V	IP44	550	360	560	920	1580	690	-	300	105	1050	620	250	6-M16×300
	Y315S-2	110	380V	IP44	580	380	580	1030	1620	710	-	400	105	1240	980	280	6-M20×400
	Y315M-2	132	380V	IP44	580	380	580	1030	1670	735	-	400	105	1310	1080	280	6-M20×400

GTOS型泵特性曲线 GTOS Type pump performance curve chart

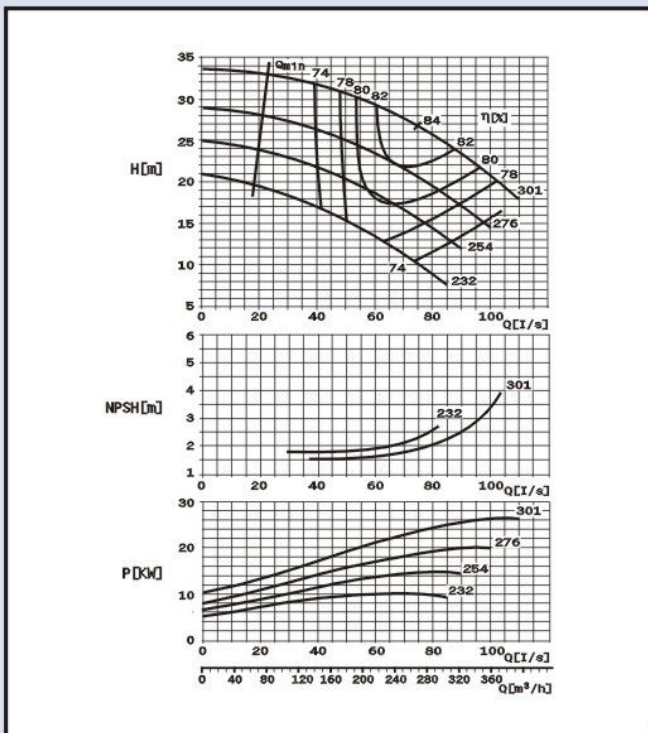
125-290 (I)G n=2900r/min



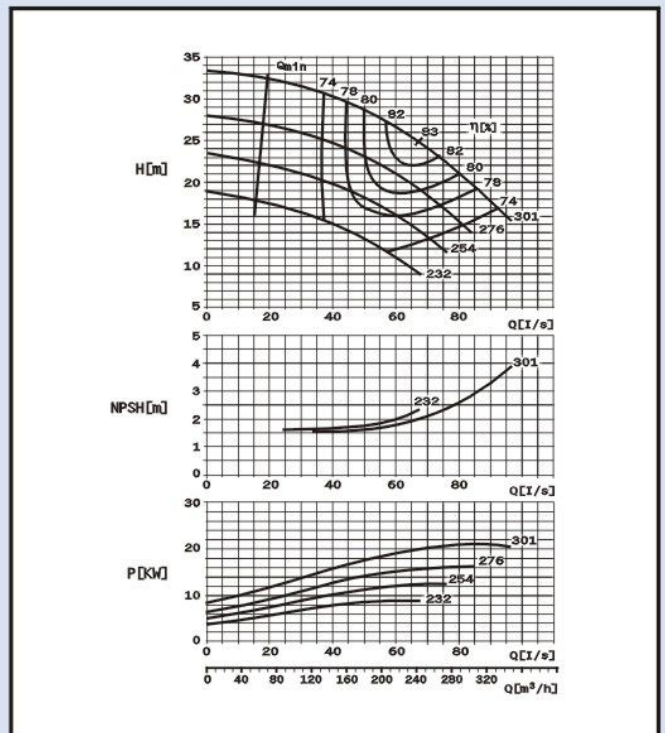
125-290 G n=2900r/min



125-290 (I) n=1450r/min



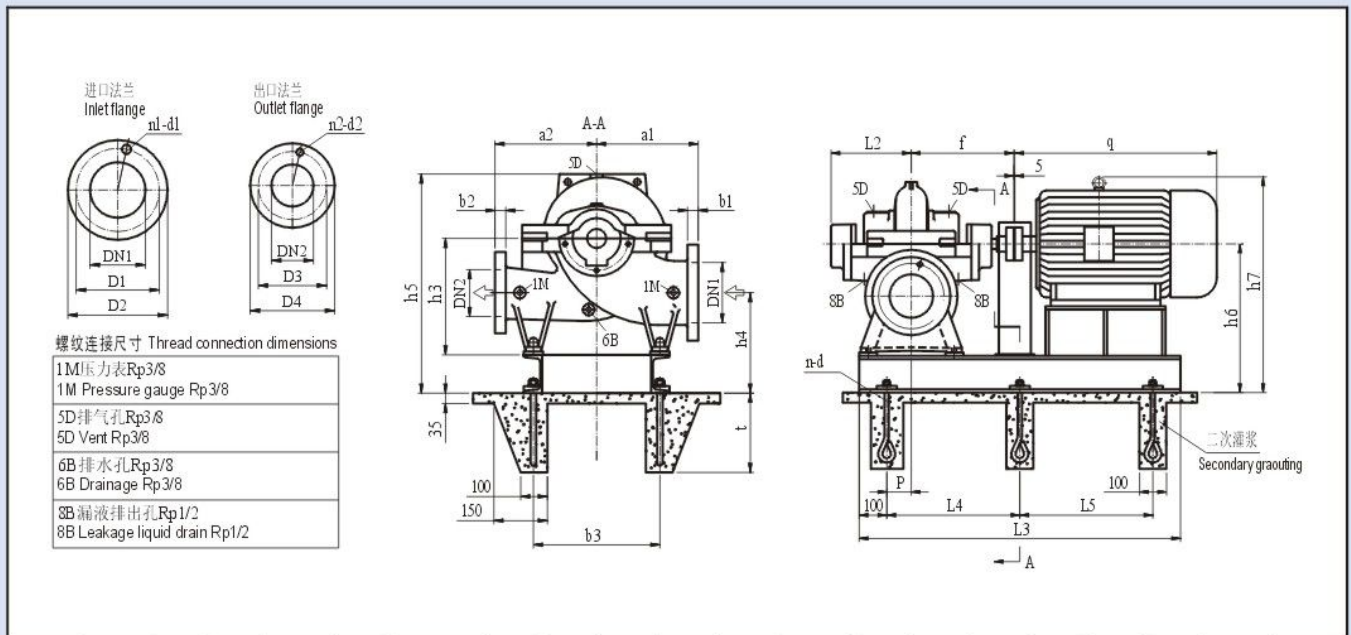
125-290 n=1450r/min



GTOS型泵性能参数表 Performance parameters of GTOS pump

泵型号 Type	流量 Capacity Q		扬程 Head m	转速 Speed r/min	轴功率 Shaft power kW	效率 Eff. η %	有效汽 蚀余量 (NPSH) _r m	电机功率 Motor power kW	叶轮参 考直径 D(mm)	泵型号 Type	流量 Capacity Q		扬程 Head m	转速 Speed r/min	轴功率 Shaft power kW	效率 Eff. η %	有效汽 蚀余量 (NPSH) _r m	电机功率 Motor power kW	叶轮参 考直径 D(mm)	
	m ³ /h	l/s									m ³ /h	l/s								
GTOS 125-290(I)G	A	428	118.9	117	188	82	10.9	200	301	GTOS 125-290(I)	A	215	59.7	29.2	20.8	82.3	2.4	30	301	
		535	148.5	108	187	84	10.7	160	276			223	61.9	22	16.1	80.3	2.4	22	276	
		640	178.3	94	197	83	10.5	132	254			268	74.4	18	12.3	80	2.3	18.5	254	
	B	397	110.3	97	131	80	10.4	90	232		GTOS 125-290	B	195	54.2	24.4	16.1	80.3	2.3	15	232
		497	138	88	145	82	10.9	185	301				243	67.5	22	13.7	80	2.2	15	254
		596	165.6	75	153	79.5	10.0	90	232				268	74.4	16.5	14.4	78.3	2.2	11	232
C	323	89.6	65	74.7	76.5	10.5	110	254	GTOS 125-290	C	161	44.7	16.3	9.3	77	2.3	15	232		
	403	112	57	111	80	10.9	185	301			202	56.1	14.2	10	78	2.2	15	254		
	484	134.4	47	168	80.5	10.0	90	232			242	67.2	11.8	10.2	76.2	2.2	11	232		
GTOS 125-290G	A	383	106.4	113	145	81.6	10.9	185	301	GTOS 125-290	A	193	53.6	27.5	17.8	81	2.4	30	301	
		490	133.3	100	157	83	10.5	160	276			241	66.9	25	19.8	83	2.3	18.5	276	
		575	159.6	85.5	168	80.5	10.0	90	232			290	80.6	21.3	20.6	80	2.2	15	232	
	B	348	96.7	93.5	112	79.5	10.5	110	254		GTOS 125-290	B	174	48.3	23.4	13.9	80	2.3	15	254
		436	121	83.5	121	82	10.9	185	301				218	60.6	21	16.2	82	2.2	15	254
		523	145.2	70	126	79	10.0	90	232				261	72.5	17.5	16	78	2.2	11	232
C	308	85.6	78	84.5	77.5	10.5	110	254	GTOS 125-290	C	157	43.6	19	10.4	78	2.2	15	254		
	385	107	70	93	79	10.9	185	301			196	54.4	17.5	11.8	78	2.2	11	232		
	462	128.3	60	96.9	78	10.0	90	232			235	65.3	15	12.3	76	2.2	11	232		
C	274	76	80	59.6	75	10.0	90	232	GTOS 125-290	C	138	38.3	15.1	7.5	74.3	2.2	11	232		
	342	95	65	87.4	76	10.0	90	232			207	57.5	11.3	8.6	74	2.2	11	232		
	410	114	47	70	76	10.0	90	232			207	57.5	11.3	8.6	74	2.2	11	232		

GTOS卧式泵安装尺寸图及主要外型尺寸 Installing dimensions of GTOS pump and outline size

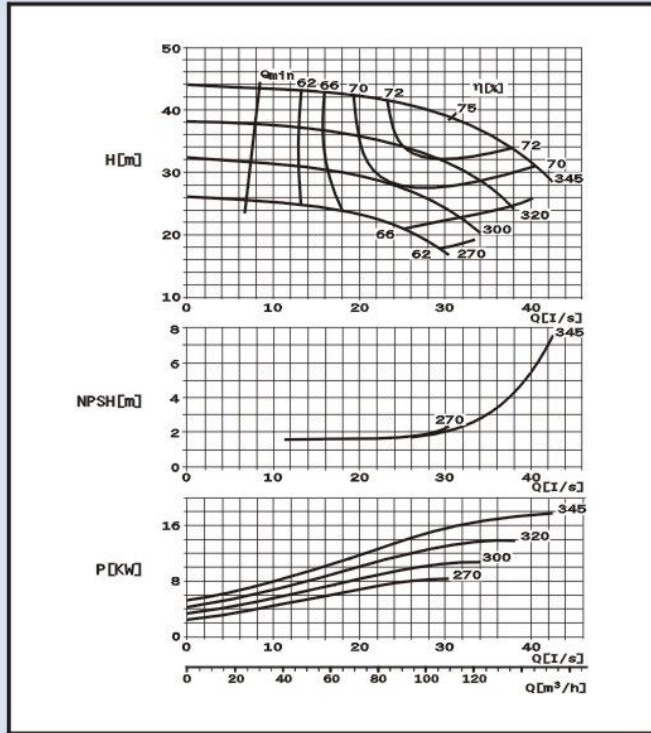


泵型号 Pump type	法兰尺寸 Flange dimension												a1	a2	f	h5≤	L2	h3	泵重量 Pump weight	
	DN1	D1	D2	n1-d1	b1	PN	DN2	D3	D4	n2-d2	b2	PN							泵重 Pump weight	含水量 Water content
125-290	200	295	340	12-φ23	30	1.6MPa	125	210	250	8-φ19	26	1.6MPa	370	370	515	825	366	400	288	40

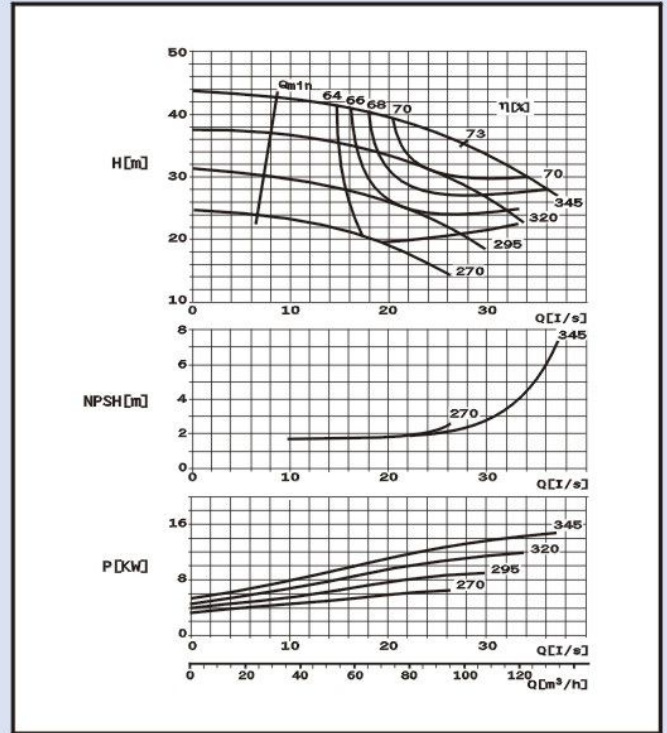
泵型号 Pump type	电机型号 Motor type	功率 Power	电压 Voltage	防护等级 Protection grade	b3	h4	h6	h7	L3	L4/L5	L6	t	p	q	电机重量 Motor weight	底座重量 Base weight	地脚螺栓 Anchor bolt
125-290	Y160M-4	11	380V	IP44	450	340	540	765	1190	495	-	300	105	605	130	100	6-M16×300
	Y160L-4	15	380V	IP44	450	340	540	765	1240	520	-	300	105	650	145	100	6-M16×300
	Y180M-4	18.5	380V	IP44	450	340	540	790	1240	520	-	300	105	670	180	130	6-M16×300
	Y180L-4	22	380V	IP44	450	340	540	790	1280	540	-	300	105	710	200	130	6-M16×300
	Y200L-4	30	380V	IP44	450	340	540	815	1320	560	-	300	105	775	270	230	6-M16×300
	Y280M-2	90	380V	IP44	550	360	560	920	1580	690	-	300	105	1050	620	250	6-M16×300
	Y315S-2	110	380V	IP44	580	380	580	1030	1620	710	-	400	105	1240	980	280	6-M20×400
	Y315M-2	132	380V	IP44	580	380	580	1030	1670	735	-	400	105	1310	1080	280	6-M20×400
Y315L-2	160	200	380V	IP44	580	380	580	1030	1700	750	-	400	105	1310	1220	280	6-M20×400

GTOS型泵特性曲线 GTOS Type pump performance curve chart

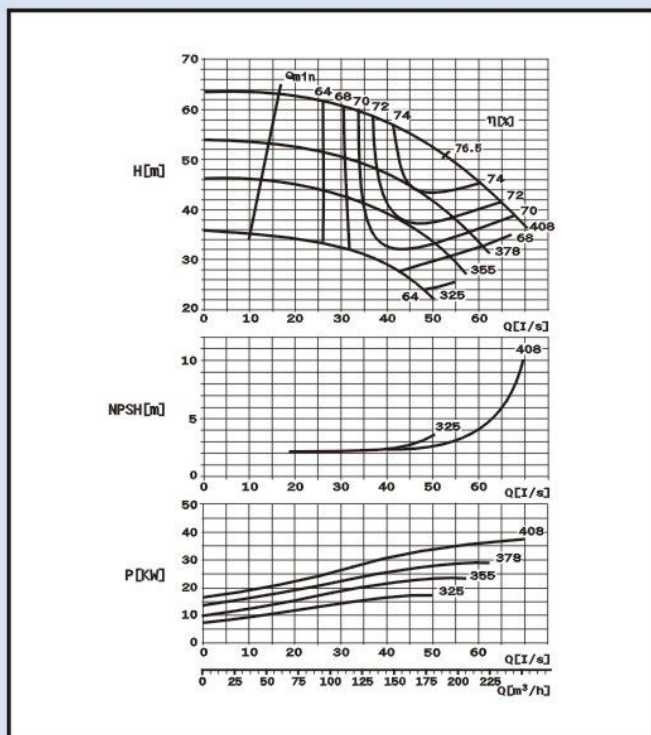
80-370 (I) n=1450r/min



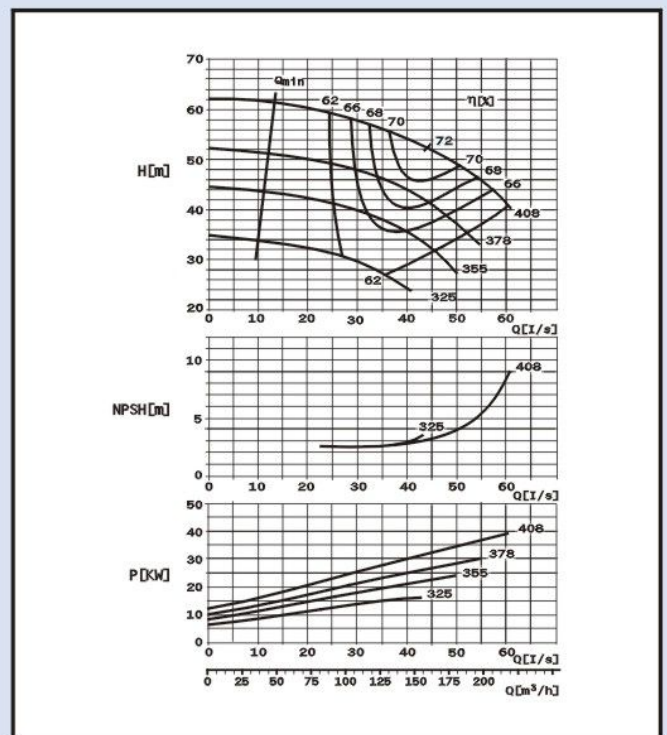
80-370 n=1450r/min



100-375 (I) n=1450r/min



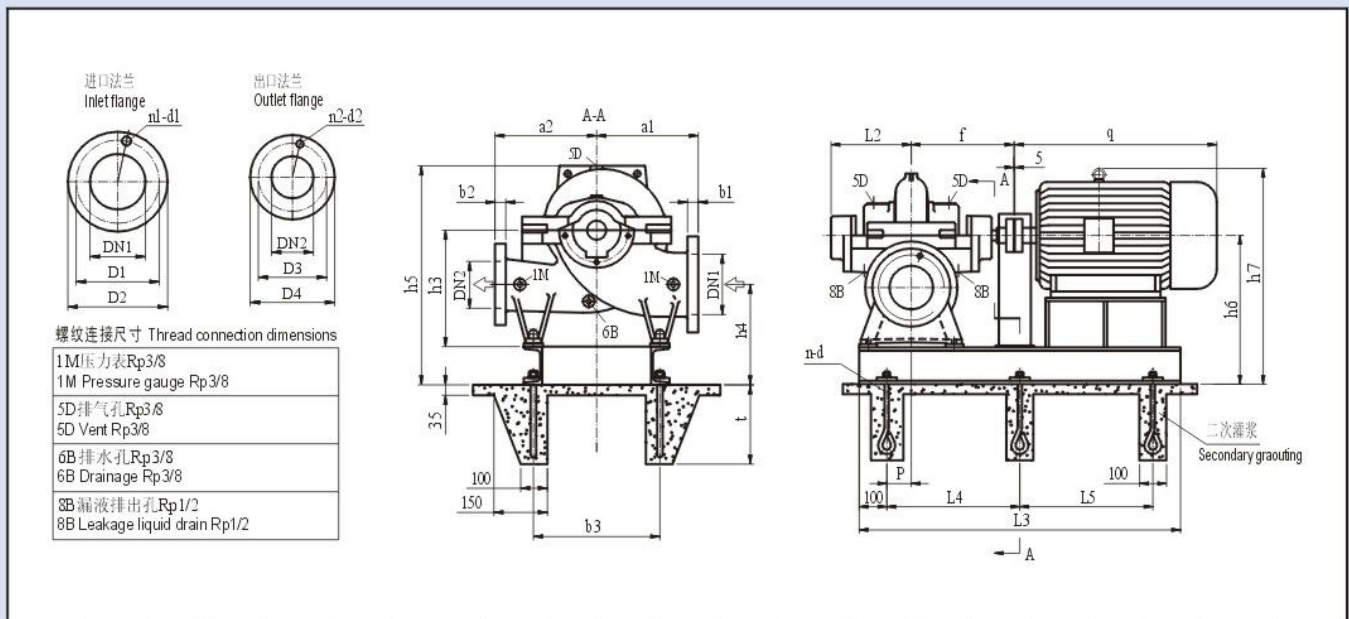
100-375 n=1450r/min



GTOS型泵性能参数表 Performance parameters of GTOS pump

泵型号 Type	流量 Capacity Q		扬程 Head m	转速 Speed r/min	轴功率 Shaft power kW	效率 Eff. η %	有效汽 蚀余量 (NPSH) _r m	电机功率 Motor power kW	叶轮参 考直径 D(mm)	泵型号 Type	流量 Capacity Q		扬程 Head m	转速 Speed r/min	轴功率 Shaft power kW	效率 Eff. η %	有效汽 蚀余量 (NPSH) _r m	电机功率 Motor power kW	叶轮参 考直径 D(mm)	
	m ³ /h	l/s									m ³ /h	l/s								
GTOS 80-370(I)	A	90	25	41	13.8	73	2.8	22	345	GTOS 100-375(I)	A	148	41.1	57	31.4	73	3.0	45	408	
		113	31.4	38.8	16.2	75	71.8	2.3	15			320	185	51.4	51	24.5	74	2.7	37	378
		136	37.8	33.6	17.3	71	13.3	11	300			200	55.6	44	24.5	74	2.7	37	378	
	B	80	22.2	35.0	10.6	71	2.3	11	320		B	133	36.9	47.3	24.5	74	2.7	37	378	
		99	27.5	33	12.1	72.2	2.3	11	300			167	46.4	46	28.3	72.3	2.5	30	355	
		106	29.4	24.7	9.4	38.4	2.3	11	270			186	51.7	31	20.3	67.5	2.1	18.5	325	
C	65	18.1	23.8	6.4	66	2.3	11	270	C	108	30	32.5	14.4	66.3	2.1	18.5	325			
	81	22.5	22.5	7.4	67.5	2.3	11	270		135	37.5	30.3	14.5	69	3.0	30	378			
	98	27.2	20	8.0	65.5	2.3	7.5	270		162	45	25.3	16.8	66.5	2.7	30	378			
GTOS 80-370	A	80	22.2	38.8	11.8	71	3.0	18.5	345	GTOS 100-375	A	130	36.1	56.2	28.4	70	3.6	37	408	
		99	27.5	35.1	13.1	73	3.0	15	320			162	45	52	31.4	72	2.7	30	378	
		120	33.3	31.1	14.3	71	2.6	15	320			195	54.2	46.8	35.9	67.5	2.7	30	378	
	B	72	20	34.1	9.7	69	2.6	15	320		B	114	31.7	47.5	22.2	66.5	3.0	30	355	
		90	25	30.8	10.8	70	2.6	15	320			142	39.4	44	23.7	69	3.0	30	355	
		108	30	26.3	11.4	68	2.3	11	295			170	47.2	39	27.3	66.5	2.7	18.5	325	
C	60	16.7	27.5	7.0	64.5	2.3	11	295	C	105	29.2	40	17.7	64.5	2.7	18.5	325			
	78	21.1	25.5	8.0	66	2.3	7.5	270		130	36.1	37.5	18.8	66.5	2.7	18.5	325			
	90	25	22.5	8.5	65.2	2.3	7.5	270		167	43.8	32.5	21.7	64	2.7	18.5	325			
C	53	14.7	21.3	4.9	63	2.3	7.5	270	C	92	25.8	30.8	12.7	61	2.7	18.5	325			
	67	18.6	20	5.7	64	2.3	7.5	270		115	31.9	28.7	14.3	63	2.7	18.5	325			
	80	22.2	17.5	6.0	63	2.3	7.5	270		138	38.3	25	15.4	61.2	2.7	18.5	325			

GTOS卧式泵安装尺寸图及主要外型尺寸 Installing dimensions of GTOS pump and outline size

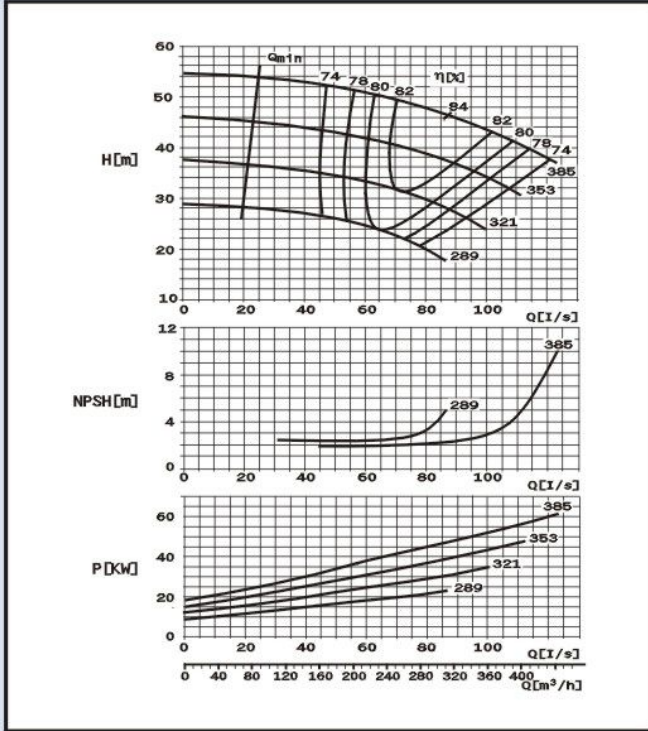


泵型号 Pump type	法兰尺寸 Flange dimension												a1	a2	f	h5≤	L2	h3	泵重量 Pump weight	
	DN1	D1	D2	n1-d1	b1	PN	DN2	D3	D4	n2-d2	b2	PN							泵重 Pump weight	含水泵重 Water root weight
80-370	125	210	250	8-φ19	26	1.6MPa	80	160	200	8-φ19	22	1.6MPa	330	330	415	660	300	315	215	20
100-375	150	240	285	8-φ23	26	1.6MPa	100	180	220	8-φ19	24	1.6MPa	370	370	415	760	300	355	258	30

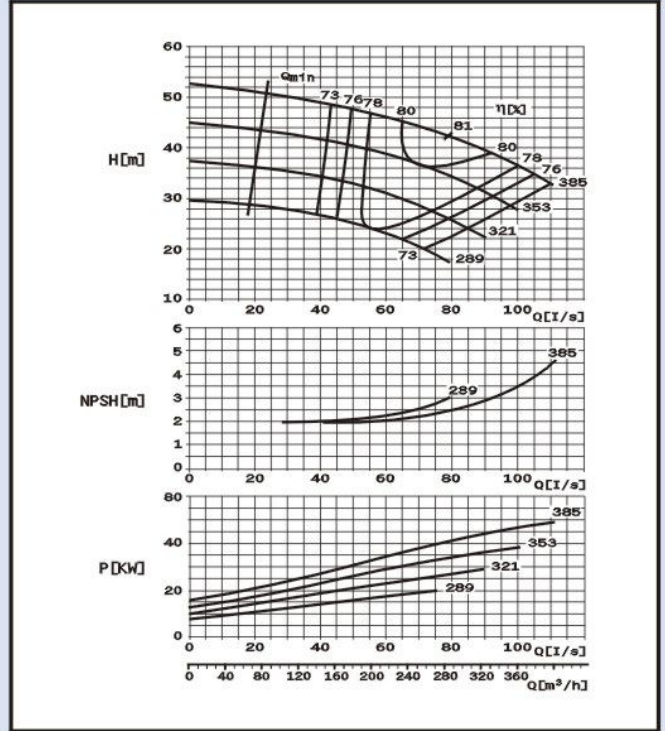
泵型号 Pump type	电机型号 Motor type	功率 Power	电压 Voltage	防护等级 Protection grade	b3	h4	h6	h7	L3	L4/L5	L6	t	p	q	电机重量 Motor weight	底座重量 Base weight	地脚螺栓 Anchor bolt
80-370	Y132M-4	7.5	380V	IP44	340	315	455	638	970	385	-	300	70	515	84	80	6-M16×300
	Y160M-4	11	380V	IP44	340	315	455	680	1050	425	-	300	70	605	130	80	6-M16×300
	Y160L-4	15	380V	IP44	340	315	455	680	1100	450	-	300	70	650	145	80	6-M16×300
	Y180M-4	18.5	380V	IP44	340	315	455	705	1110	455	-	300	70	670	180	110	6-M16×300
	Y180L-4	22	380V	IP44	340	315	455	705	1150	475	-	300	70	710	200	110	6-M16×300
100-375	Y180M-4	18.5	380V	IP44	400	325	495	745	1100	450	-	300	70	670	180	120	6-M16×300
	Y180L-4	22	380V	IP44	400	325	495	745	1140	470	-	300	70	710	200	120	6-M16×300
	Y200L-4	30	380V	IP44	400	325	495	770	1190	485	-	300	70	775	270	200	6-M16×300
	Y225S-4	37	380V	IP44	400	325	495	800	1220	510	-	300	70	820	284	200	6-M16×300
	Y225M-4	45	380V	IP44	400	325	495	800	1240	520	-	300	70	845	320	200	6-M16×300

GTOS型泵特性曲线 GTOS Type pump performance curve chart

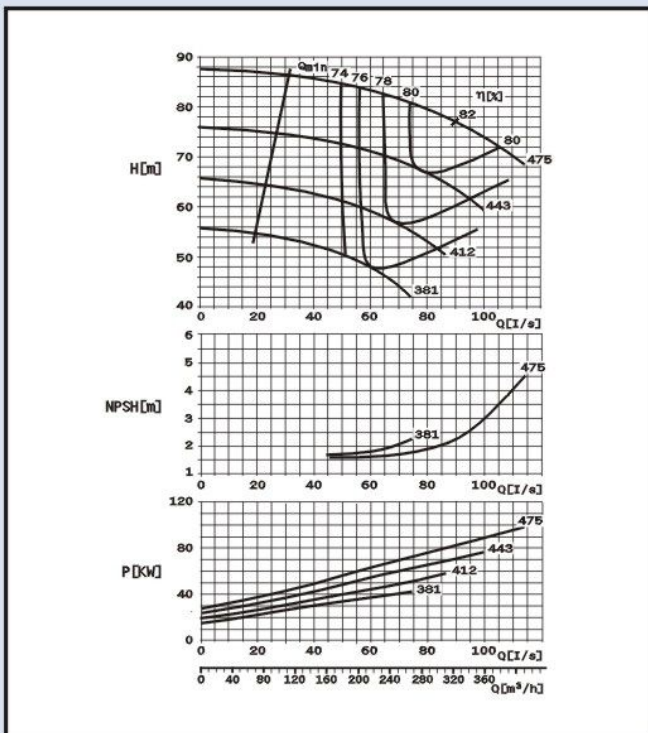
125-365 (I) n=1450r/min



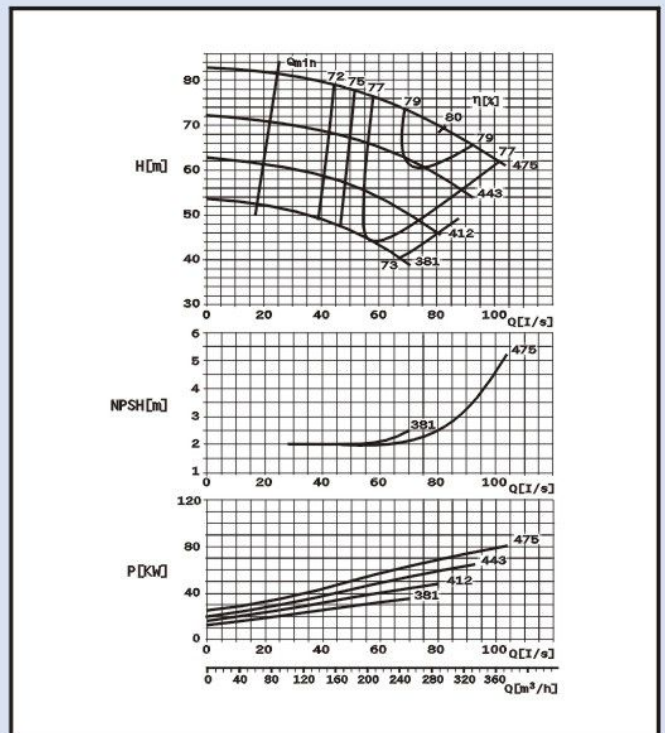
125-365 n=1450r/min



125-500 (I) n=1450r/min



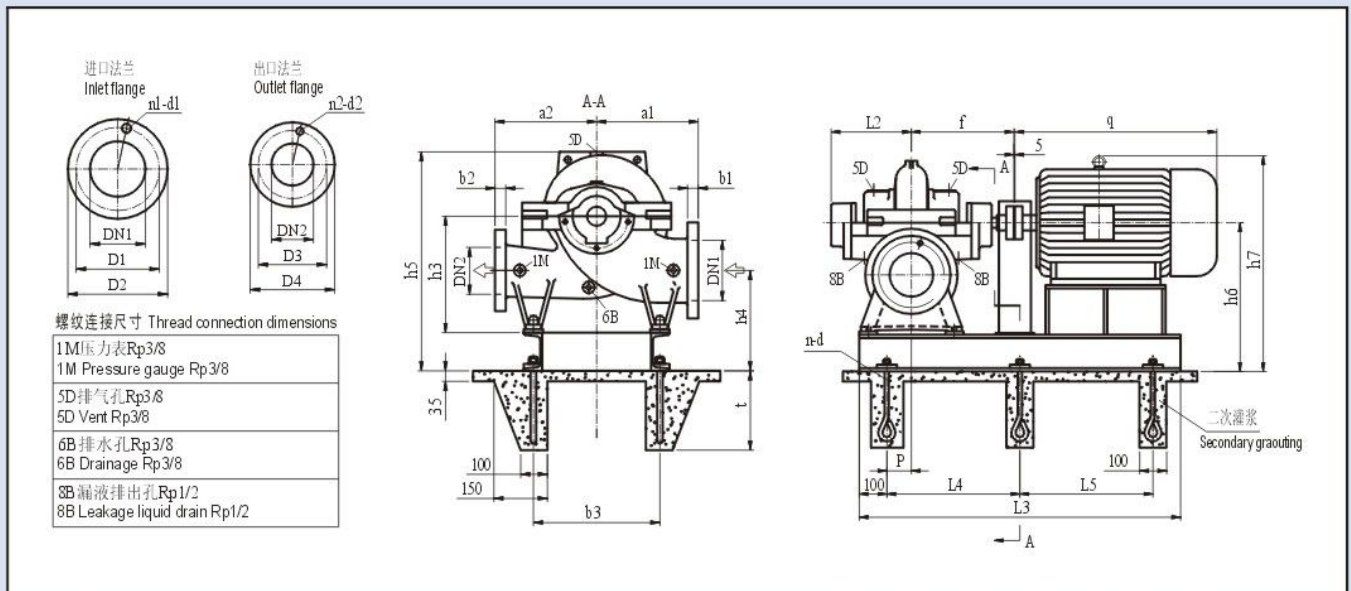
125-500 n=1450r/min



GTOS型泵性能参数表 Performance parameters of GTOS pump

泵型号 Type	流量 Capacity Q		扬程 Head m	转速 Speed r/min	轴功率 Shaft power kW	效率 Eff. η %	有效汽 蚀余量 (NPSH) _r m	电机功率 Motor power kW	叶轮参 考直径 D(mm)	泵型号 Type	流量 Capacity Q		扬程 Head m	转速 Speed r/min	轴功率 Shaft power kW	效率 Eff. η %	有效汽 蚀余量 (NPSH) _r m	电机功率 Motor power kW	叶轮参 考直径 D(mm)			
	m ³ /h	l/s									m ³ /h	l/s										
GTOS 125-365(I)	A	246	68.8	50	41.2	82	2.6	75	385	GTOS 125-500(I)	A	262	72.8	82	73.7	79.5	2.8	110	475			
		310	86	47	47.2	84	36	83	82.7			80	87.3	80	2.7	90	443					
		360	100	44	52.3	82	40.4	81.2	96.4			77.8	74.8	77.2	2.5	75	412					
	B	225	62.4	41.6	31.8	80	24.2	76	321		B	205	56.8	60	44.0	76	34.2	73.6	2.5	45	381	
		281	78	39	36	83	26.8	82	50.6			77	50.6	77	2.5	75	412					
		337	93.6	35.6	40.4	82	29.8	79.5	64.3			76	64.3	76	2.5	45	381					
C	184	51.2	25.5	16.9	76	18.8	80	30	289	C	184	51.2	50	34.2	73.6	34.2	73.6	2.5	45	381		
	230	64	24	18.8	80	20.2	78	38.8	76.5		40.7	76	2.5	45	381							
	278	76.8	20.9	20.2	78	34.2	79.5	40.7	76		40.7	76	2.5	45	381							
GTOS 125-365	A	222	61.6	46.3	35.4	79.2	2.9	55	385	GTOS 125-500	A	236	65.2	75	35.2	81.5	69.5	3.2	90	475		
		277	77	43	40.1	81	31.8	80	70.3			79.5	70.3	79.5	2.9	75	443					
		333	92.4	39.8	44	80	34.2	78.5	80.5			78	80.5	78	2.9	75	443					
	B	202	56	39.8	28	78.5	24.4	76.5	30		321	B	181	50.4	65	37.5	75.1	37.5	75.1	2.6	55	412
		252	70	37	31.8	80	24.4	78.5	32.5		77		32.5	77	2.6	55	412					
		307	85.2	28.2	26.8	76	26.8	76	47.3		75.8		47.3	75.8	2.5	37	381					
C	158	44	26.3	14.9	77.8	17.4	76	22	289	C	161	44.8	47.5	28.2	74	28.2	74	2.5	37	381		
	198	55	24.5	17.4	76	18.8	75.2	34.5	74		34.5	74	2.5	37	381							
	238	66	21.8	18.8	75.2	18.8	75.2	34.5	74		34.5	74	2.5	37	381							

GTOS卧式泵安装尺寸图及主要外型尺寸 Installing dimensions of GTOS pump and outline size

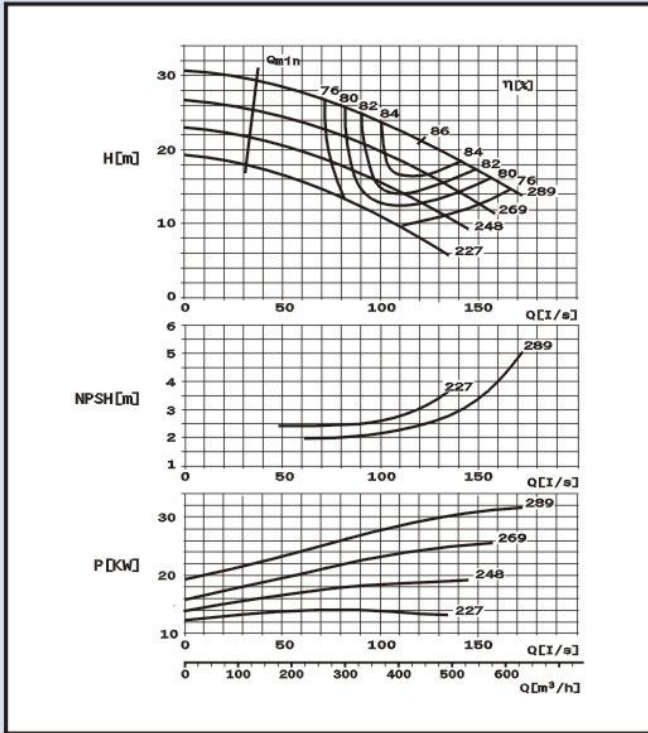


泵型号 Pump type	法兰尺寸 Flange dimension												a1	a2	f	h5≤	L2	h3	泵重量 Pump weight	
	DN1	D1	D2	n1-d1	b1	PN	DN2	D3	D4	n2-d2	b2	PN							泵重 Pump weight	含水重 Water total wt
125-365	200	295	340	12-φ23	30	1.6MPa	125	210	250	8-φ19	26	1.6MPa	370	370	515	825	366	400	315	45
125-500	200	295	340	12-φ23	30	1.6MPa	125	210	250	8-φ19	26	1.6MPa	450	450	515	825	366	400	352	55

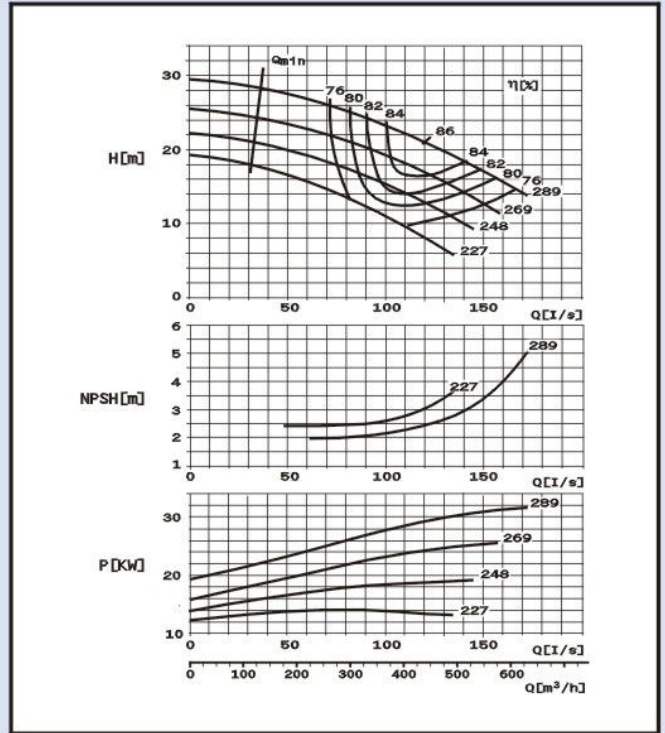
泵型号 Pump type	电机型号 Motor type	功率 Power	电压 Voltage	防护等级 Protection grade	b3	h4	h6	h7	L3	L4/L5	L6	t	p	q	电机重量 Motor weight	底座重量 Base weight	地脚螺栓 Anchor bolt
125-365	Y180L-4	22	380V	IP44	450	340	540	790	1280	540	-	300	105	710	200	130	6-M16×300
	Y200L-4	30	380V	IP44	450	340	540	815	1320	560	-	300	105	775	270	230	6-M16×300
	Y225S-4	37	380V	IP44	450	340	540	845	1350	575	-	300	105	820	284	230	6-M16×300
	Y225M-4	45	380V	IP44	450	340	540	845	1380	590	-	300	105	845	320	230	6-M16×300
	Y250M-4	55	380V	IP44	450	340	560	865	1440	620	-	300	105	930	427	250	6-M16×300
	Y280S-4	75	380V	IP44	550	360	560	920	1520	660	-	300	105	1000	562	250	6-M16×300
125-500	Y225S-4	37	380V	IP44	560	360	560	865	1350	575	-	300	105	820	284	250	6-M16×300
	Y225M-4	45	380V	IP44	560	360	560	865	1380	590	-	300	105	845	320	250	6-M16×300
	Y250M-4	55	380V	IP44	560	360	560	885	1440	620	-	300	105	930	427	310	6-M16×300
	Y280S-4	75	380V	IP44	560	360	560	920	1510	655	-	300	105	1000	562	310	6-M16×300
	Y280M-4	90	380V	IP44	560	360	560	920	1560	680	-	300	105	1050	667	490	6-M16×300
	Y315S-4	110	380V	IP44	560	360	560	1110	1630	715	-	300	105	1270	1000	490	6-M16×300

GTOS型泵特性曲线 GTOS Type pump performance curve chart

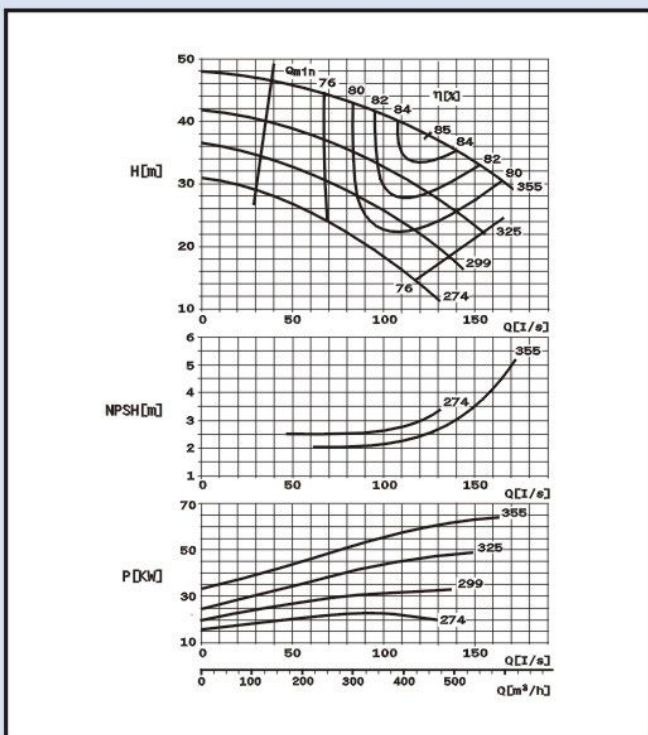
150-290 (I) n=1450r/min



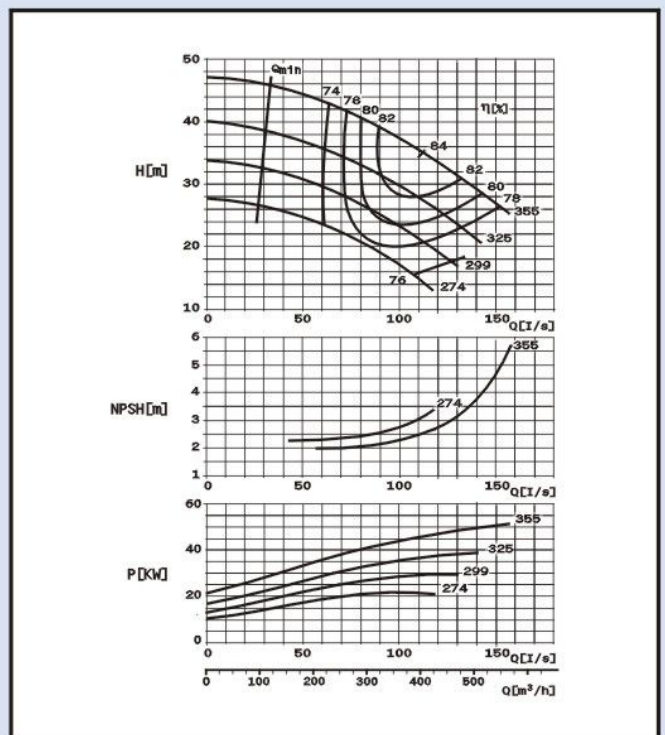
150-290 n=1450r/min



150-360 (I) n=1450r/min



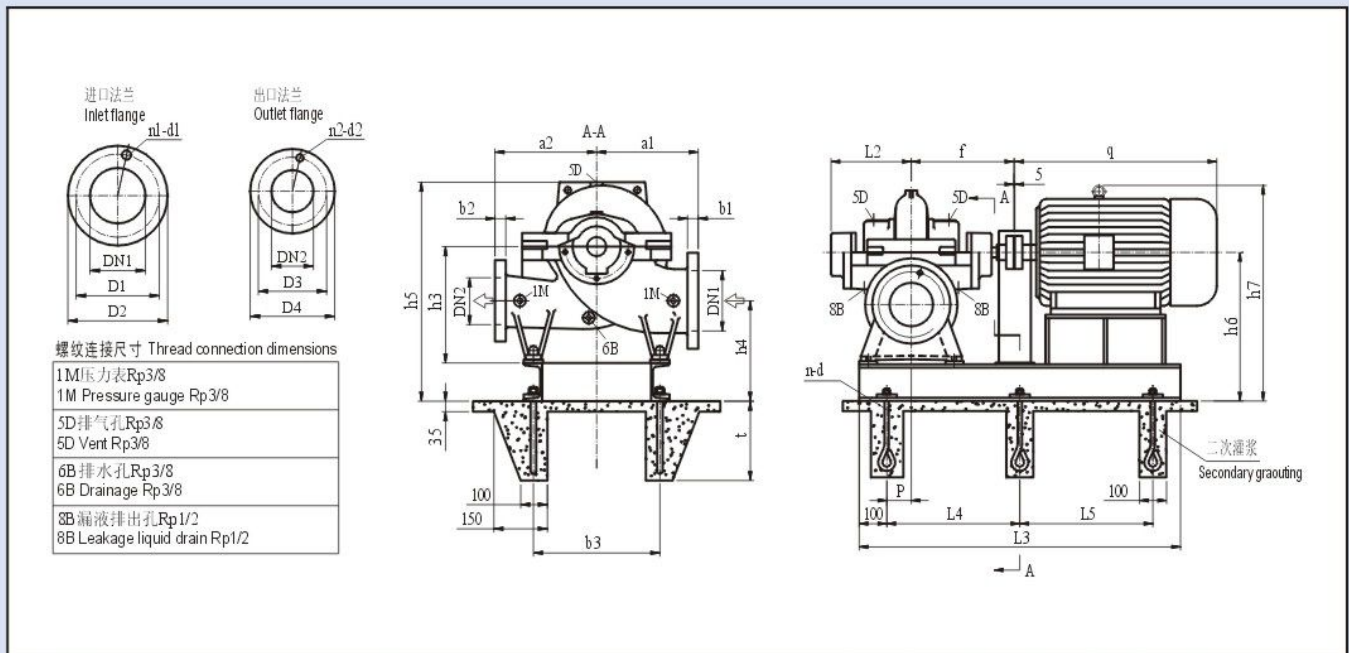
150-360 n=1450r/min



GTOS型泵性能参数表 Performance parameters of GTOS pump

泵型号 Type	流量 Capacity Q		扬程 Head m	转速 Speed r/min	轴功率 Shaft power kW	效率 Eff. η %	有效汽 蚀余量 (NPSH) r m	电机功率 Motor power kW	叶轮参 考直径 D(mm)	泵型号 Type	流量 Capacity Q		扬程 Head m	转速 Speed r/min	轴功率 Shaft power kW	效率 Eff. η %	有效汽 蚀余量 (NPSH) r m	电机功率 Motor power kW	叶轮参 考直径 D(mm)	
	m³/h	l/s									m³/h	l/s								
GTOS 150-290(I)	A	354	98.3	24	1450	27.1	85.6	2.9	37	289	A	367	99.2	41.3	1450	48.4	83	3.0	75	355
		443	123	21		29.1	87					54.3	85							
		531	147.5	17.5		30.3	83.5					60.4	82.7							
	B	323	89.7	21		22.2	83	2.9	30	269	B	323	89.7	34.2	1450	36.9	81.5	3.0	55	325
		403	112	18		23	86					41	83							
		484	134.4	15		24	82.3					42.9	79							
	C	302	83.9	17.5		18	80	2.9	22	248	C	298	82.8	28.7	1450	29.4	79	3.1	30	274
		378	105	15		18.4	84					31.2	81							
		454	128	12.3		19.1	79.4					32.3	78.8							
GTOS 150-290	A	317	88	23.4	1450	24	84.2	3.0	30	289	A	325	90.3	39.2	1450	42.3	82.1	3.0	55	355
		396	110	20.4		25.7	86					46.2	84							
		475	132	16.6		26.7	83.5					49.3	81							
	B	302	84	20		19.9	82.8	3.1	30	269	B	294	81.7	33	1450	32.8	80.5	3.0	45	325
		378	105	17		20.6	85					36	82							
		454	128	13.7		20.7	82					37.5	80							
	C	282	78.3	17.5		16.6	80.6	3.1	22	248	C	267	74.2	27.5	1450	26.4	78.8	3.0	37	299
		353	98	14.6		16.6	84					28.5	80							
		423	117.5	11.3		16.5	79					29.8	78							
C	285	73.6	14	13.0	78.7	3.1	18.5	227	C	233	64.7	22.8	1450	19.2	75.7	3.0	30	274		
	331	92	11.5	13.3	80					20.9	78									
	378	105	9.8	13.3	78					22	76									

GTOS卧式泵安装尺寸图及主要外型尺寸 Installing dimensions of GTOS pump and outline size

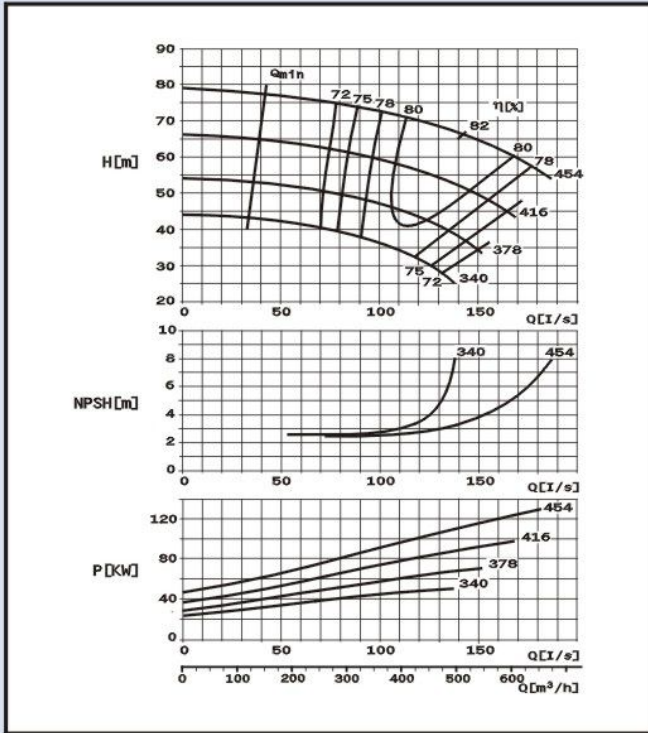


泵型号 Pump type	法兰尺寸 Flange dimension											a1	a2	f	h5≤	L2	h3	泵重量 Pump weight		
	DN1	D1	D2	n1-d1	b1	PN	DN2	D3	D4	n2-d2	b2							PN	泵重 Pump weight	含水重 Water weight
150-290	200	295	340	12-φ23	30	1.6MPa	150	240	285	8-φ23	26	1.6MPa	400	400	515	1050	366	400	365	50
150-360	200	295	340	12-φ23	30	1.6MPa	150	240	285	8-φ23	26	1.6MPa	400	400	515	1050	366	400	378	60

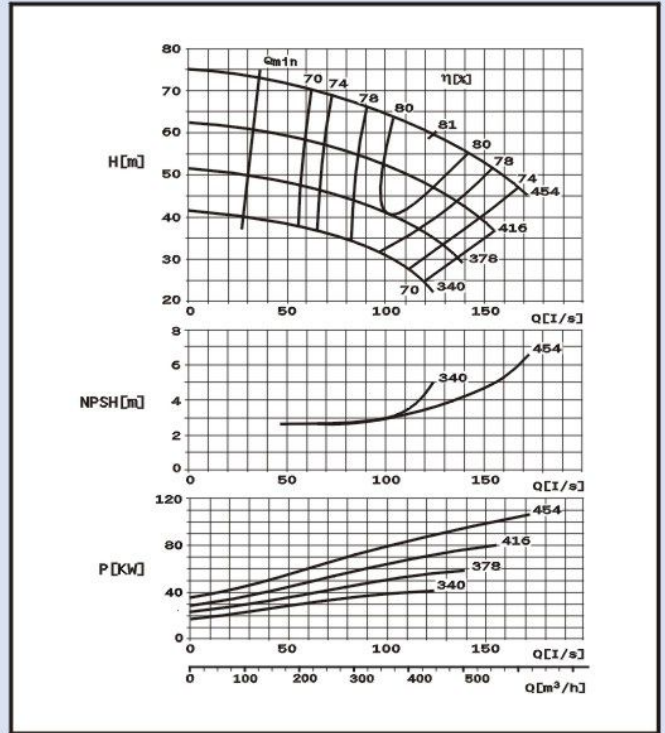
泵型号 Pump type	电机型号 Motor type	功率 Power	电压 Voltage	防护等级 Protection grade	b3	h4	h6	h7	L3	L4/L5	L6	t	p	q	电机重量 Motor weight	底座重量 Base weight	地脚螺栓 Anchor bolt
150-290	Y180M-4	18.5	380V	IP44	450	340	540	790	1240	520	-	300	105	670	180	130	6-M16×300
	Y180L-4	22	380V	IP44	450	340	540	790	1280	540	-	300	105	710	200	130	6-M16×300
	Y200L-4	30	380V	IP44	450	340	540	815	1320	560	-	300	105	775	270	230	6-M16×300
	Y225S-4	37	380V	IP44	450	340	540	845	1350	575	-	300	105	820	284	230	6-M16×300
150-360	Y200L-4	30	380V	IP44	450	340	540	815	1320	560	-	300	105	775	270	230	6-M16×300
	Y225S-4	37	380V	IP44	450	340	540	845	1350	575	-	300	105	820	284	230	6-M16×300
	Y225M-4	45	380V	IP44	450	340	540	845	1380	590	-	300	105	845	320	230	6-M16×300
	Y250M-4	55	380V	IP44	450	340	540	865	1440	620	-	300	105	930	427	250	6-M16×300
Y280S-4	75	380V	IP44	550	360	560	920	1520	660	-	300	105	1000	562	250	6-M16×300	

GTOS型泵特性曲线 GTOS Type pump performance curve chart

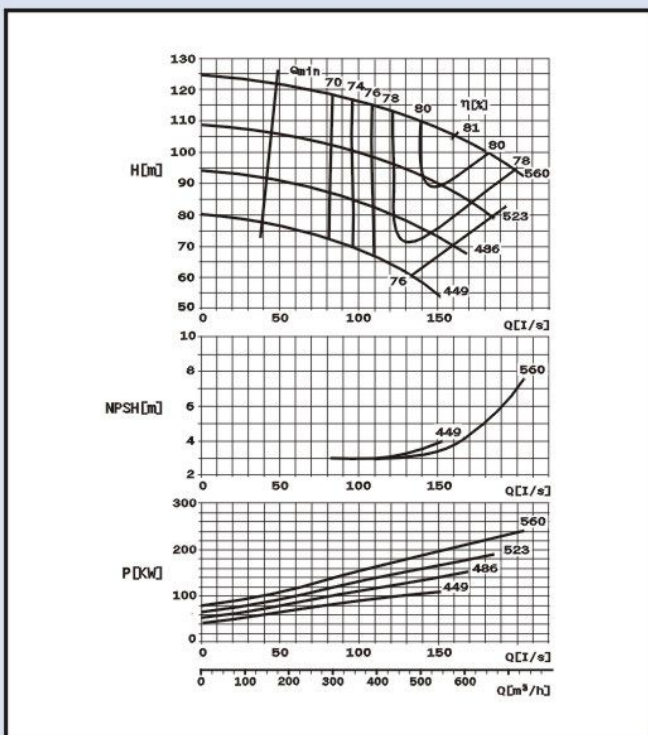
150-460 (I) n=1450r/min



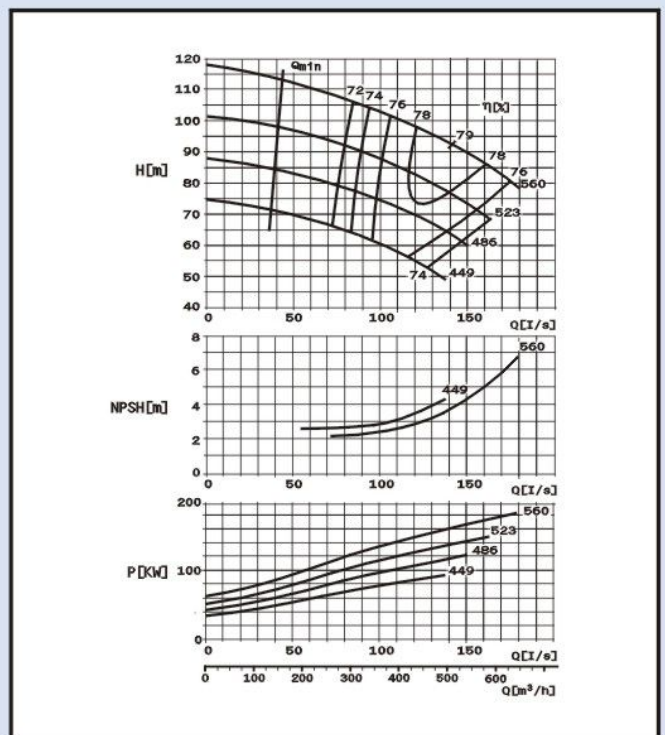
150-460 n=1450r/min



150-605 (I) n=1450r/min



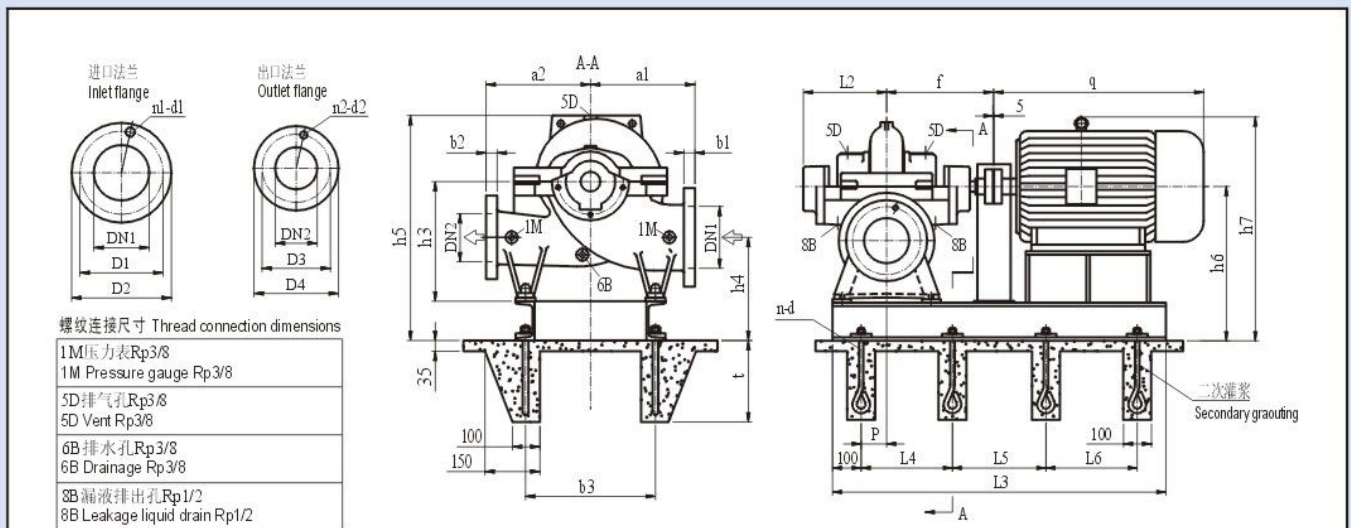
150-605 n=1450r/min



GTOS型泵性能参数表 Performance parameters of GTOS pump

泵型号 Type	流量 Capacity Q		扬程 Head m	转速 Speed r/min	轴功率 Shaft power kW	效率 Eff. η %	有效汽蚀余量 (NPSH) _r m	电机功率 Motor power kW	叶轮参考直径 D(mm)	泵型号 Type	流量 Capacity Q		扬程 Head m	转速 Speed r/min	轴功率 Shaft power kW	效率 Eff. η %	有效汽蚀余量 (NPSH) _r m	电机功率 Motor power kW	叶轮参考直径 D(mm)
	m ³ /h	l/s									m ³ /h	l/s							
GTOS 150-460(I)	A	412	114.4	71	99.4	80.2	3.9	132	454	GTOS 150-605(I)	A	467	129.7	112	182.6	78	4.2	250	560
		515	143.1	80	112.8	82	126.2	81	105			233.4							
		618	171.6	80	75.2	79.3	3.8	110	416										
	B	377	104.7	58	86.4	81	3.7	75	378		B	440	122.2	96	151.1	76.3	4.0	200	523
		472	131.1	54.5	94.9	78	3.3	55	340										
		566	157.2	48	57	78.5	7.5	75	378										
C	346	96	47.5	64	80	3.4	75	378	C	515	143	75	120	76.6	3.8	160	486		
	432	120	43.5	42.6	77	3.3	55	340											
	484	134.3	37	48.1	78.5	7.2	45	340											
GTOS 150-460	A	350	97.2	65	78.3	79.5	3.9	110	454	GTOS 150-605	A	430	119.4	98	149.2	76.8	4.7	200	560
		440	122.2	60	89.6	81	3.7	90	416										
		527	146.4	53.5	97.6	78.7	3.7	90	416										
	B	323	89.7	54	60.3	78.7	3.7	90	416		B	392	108.9	85	118.9	76.3	4.2	160	523
		403	112	50	69.2	80.5	3.4	75	378										
		450	125	34.5	46.5	80	3.4	75	378										
C	260	72.2	35.5	33.5	74.8	3.2	45	340	C	357	98.2	75	96.2	75.9	4.0	132	486		
	324	90	33	57.1	74	3.2	45	340											
	360	108	28.4	40.7	74	3.2	45	340											

GTOS卧式泵安装尺寸图及主要外型尺寸 Installing dimensions of GTOS pump and outline size

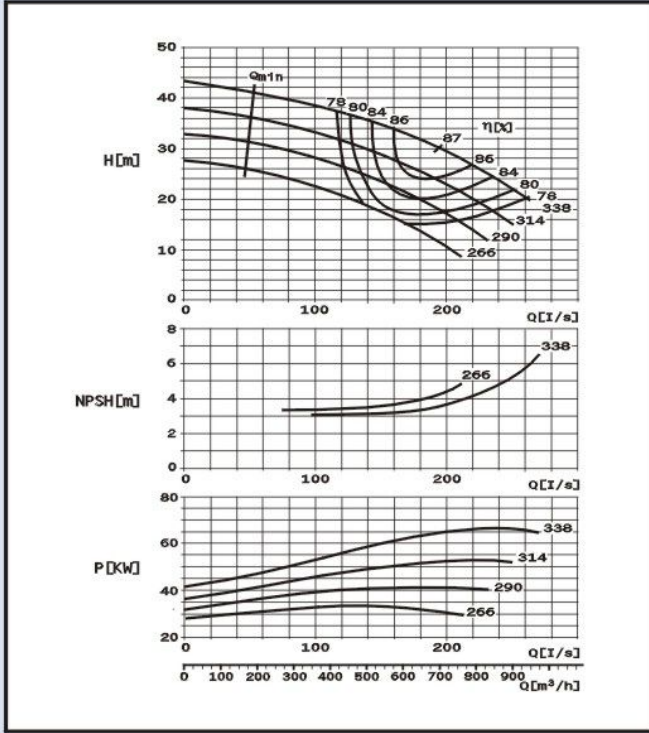


泵型号 Pump type	法兰尺寸 Flange dimension												a1	a2	f	h5≤	L2	h3	泵重量 Pump weight	
	DN1	D1	D2	n1-d1	b1	PN	DN2	D3	D4	n2-d2	b2	PN							泵重量 Pump weight	含水量 Water content
150-460	200	295	340	12-φ23	30	1.6MPa	150	240	285	8-φ23	26	1.6MPa	450	450	590	1050	399	400	458	75
150-605	200	295	340	12-φ23	30	1.6MPa	150	250	300	8-φ28	34	2.5MPa	600	500	590	1050	399	500	678	90

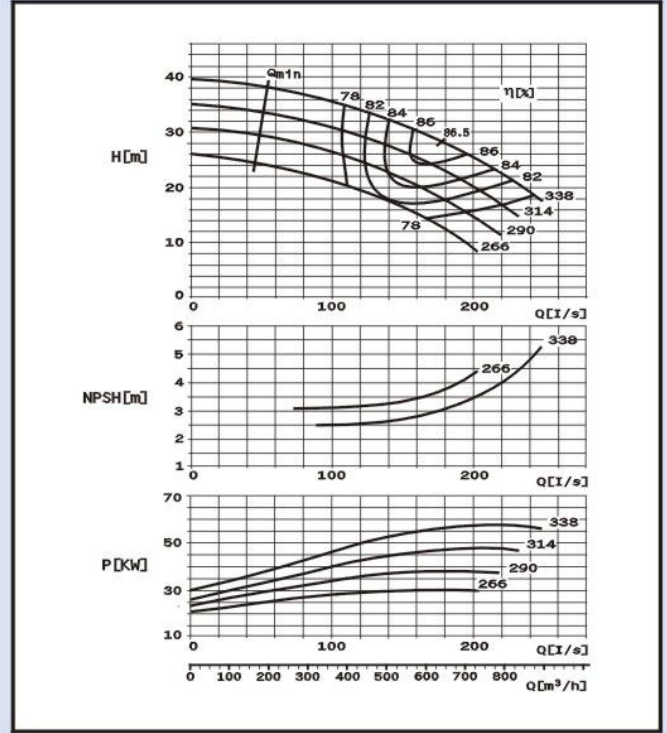
泵型号 Pump type	电机型号 Motor type	功率 Power	电压 Voltage	防护等级 Protection grade	b3	h4	h6	h7	L3	L4/L5	L6	t	p	q	电机重量 Motor weight	底座重量 Base weight	地脚螺栓 Anchor bolt	
150-460	Y225M-4	45	380V	IP44	560	360	560	865	1500	650	-	300	150	845	320	250	6-M16×300	
	Y250M-4	55	380V	IP44	560	360	560	885	1560	680	-	300	150	930	427	300	6-M16×300	
	Y280S-4	75	380V	IP44	560	360	560	920	1630	715	-	300	150	1000	562	300	6-M16×300	
	Y280M-4	90	380V	IP44	560	360	560	920	1680	740	-	300	150	1050	667	300	6-M16×300	
	Y315S-4	110	380V	IP44	560	380	580	1110	1750	775	-	300	150	1270	1000	480	6-M16×300	
	Y315M-4	132	380V	IP44	560	380	580	1110	1800	800	-	300	150	1340	1100	480	6-M16×300	
150-605	Y315S-4	110	380V	IP44	700	380	680	1230	1750	775	-	300	150	1270	1000	480	6-M16×300	
	Y315M-4	132	380V	IP44	700	380	680	1230	1800	800	-	300	150	1340	1100	480	6-M16×300	
	Y315L-4	160	200	380V	IP44	700	380	680	1230	1830	815	-	300	150	1340	1240	480	6-M16×300
	Y355M-4	250	380V	IP44	700	380	680	1185	2020	910	-	400	150	1545	1800	550	6-M20×400	
	Y355-4	200-250	6kV	IP23	700	380	680	1085	2530	775	775	400	150	1790	2040	680	6-M20×400	
	Y450-4	220	250	10kV	IP23	940	380	680	1180	2780	860	860	400	150	2050	2640	810	6-M20×400

GTOS型泵特性曲线 GTOS Type pump performance curve chart

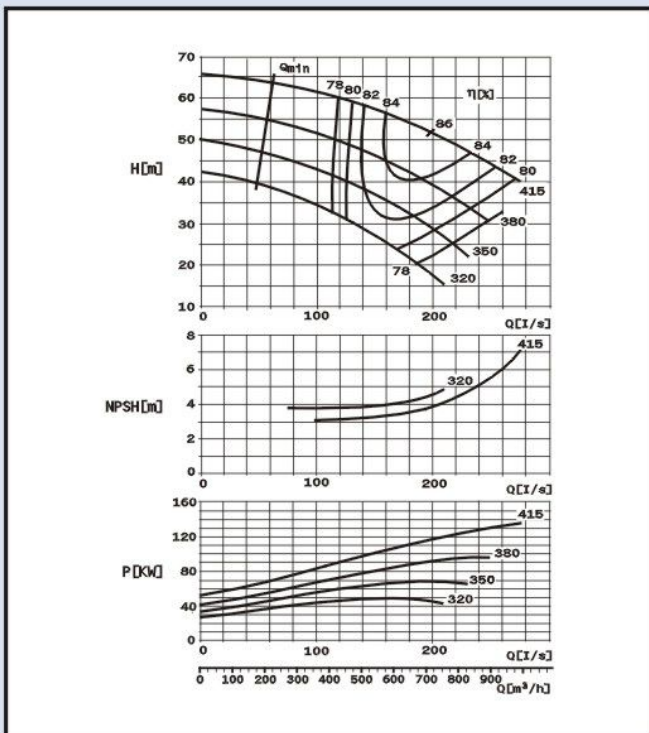
200-320 (I) n=1450r/min



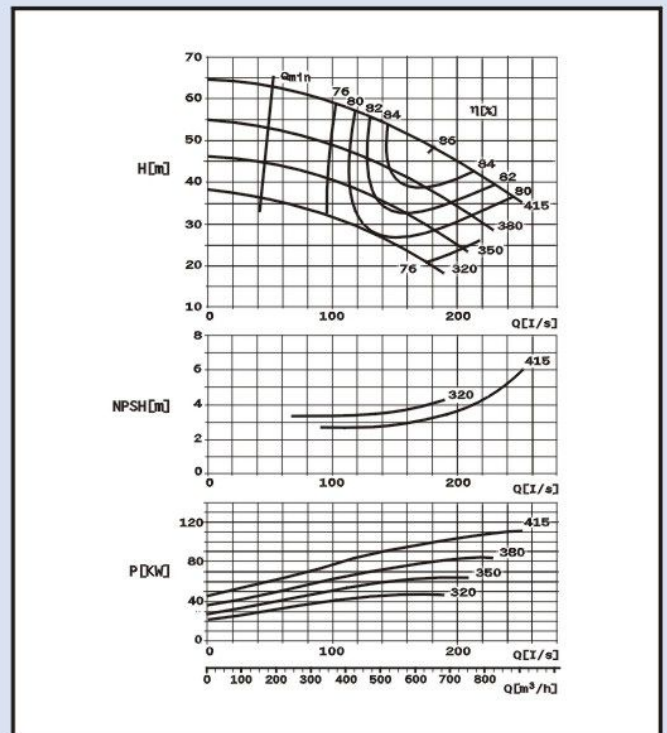
200-320 n=1450r/min



200-420 (I) n=1450r/min



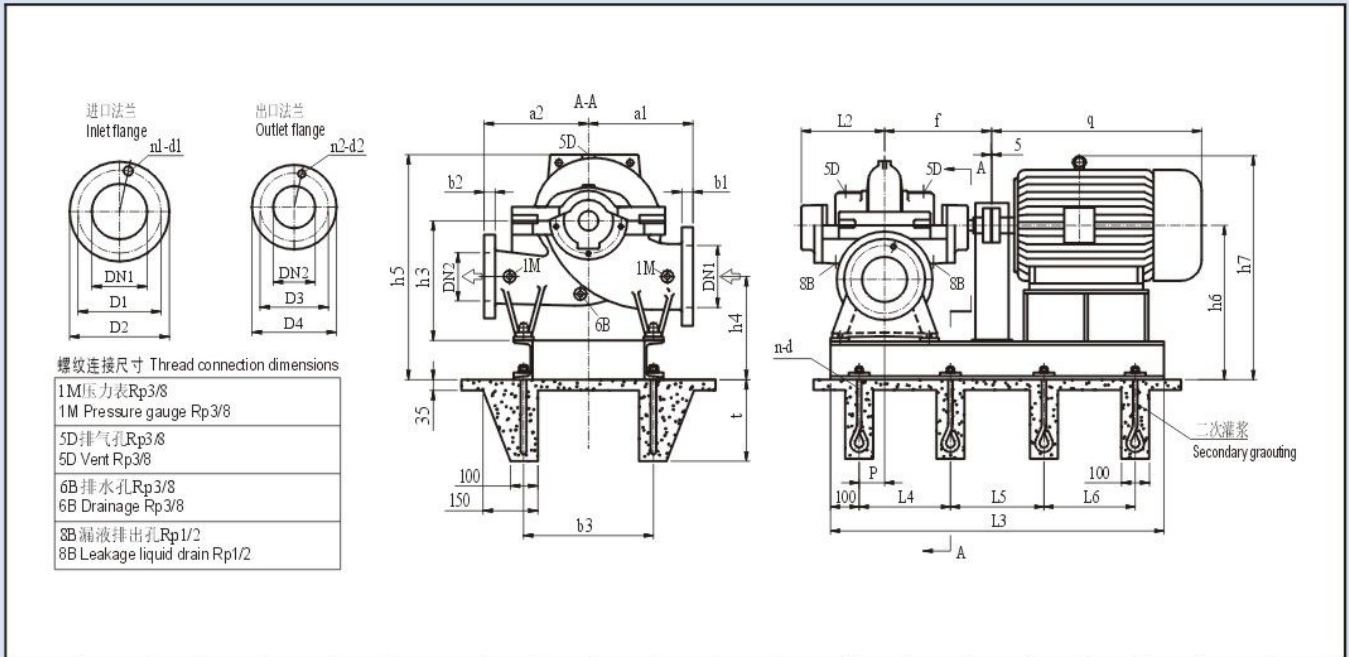
200-420 n=1450r/min



GTOS型泵性能参数表 Performance parameters of GTOS pump

泵型号 Type	流量 Capacity Q		扬程 Head m	转速 Speed r/min	轴功率 Shaft power kW	效率 Eff. η %	有效汽 蚀余量 (NPSH) _r m	电机功率 Motor power kW	叶轮参 考直径 D(mm)	泵型号 Type	流量 Capacity Q		扬程 Head m	转速 Speed r/min	轴功率 Shaft power kW	效率 Eff. η %	有效汽 蚀余量 (NPSH) _r m	电机功率 Motor power kW	叶轮参 考直径 D(mm)	
	m ³ /h	l/s									m ³ /h	l/s								
GTOS 200-320(I)	A	556	154.4	34	60	86	3.8	75	338	GTOS 200-420(I)	A	567	157.5	57	104	84.5	3.9	132	415	
		695	193	30	116	86.5														
		834	231.7	25	129	84.5														
	B	518	144	29	48.8	84	4.0	75	314		B	B	458	127.2	40	62	80.5	3.9	75	350
		648	180	25.5	52	86.5														
		778	216	21.3	54	83.5														
C	481	133.4	25	40.7	80.5	4.1	55	290	C	C	409	113.8	32.5	45.8	79	4.0	75	320		
	601	167	21.3	41	85															
	720	200	17.2	42.3	80															
GTOS 200-320	A	510	141.7	32.3	52.7	85.2	3.0	75	338	GTOS 200-420	A	518	144	54	90.8	84	3.5	110	415	
		637	176.9	28	56.2	86.5														
		765	212.5	23.4	58.0	84														
	B	475	132	28.5	44	83.8	3.2	55	314		B	B	467	130	45	59.8	82	3.5	90	380
		594	165	24.5	46.1	86														
		713	198	20	48.9	82.9														
C	445	123.6	23.8	35.6	81.3	3.4	45	290	C	C	423	118	38	54.8	80	3.7	75	350		
	558	155	21.7	38.0	84															
	670	186	17.2	38.4	81.8															
C	412	114.4	20	28.8	78	3.8	37	266	C	C	375	104	31.5	41.5	77.5	3.8	55	320		
	515	143.1	17	29.1	81.7															
	595	165.3	14.2	29.5	78															

GTOS卧式泵安装尺寸图及主要外型尺寸 Installing dimensions of GTOS pump and outline size

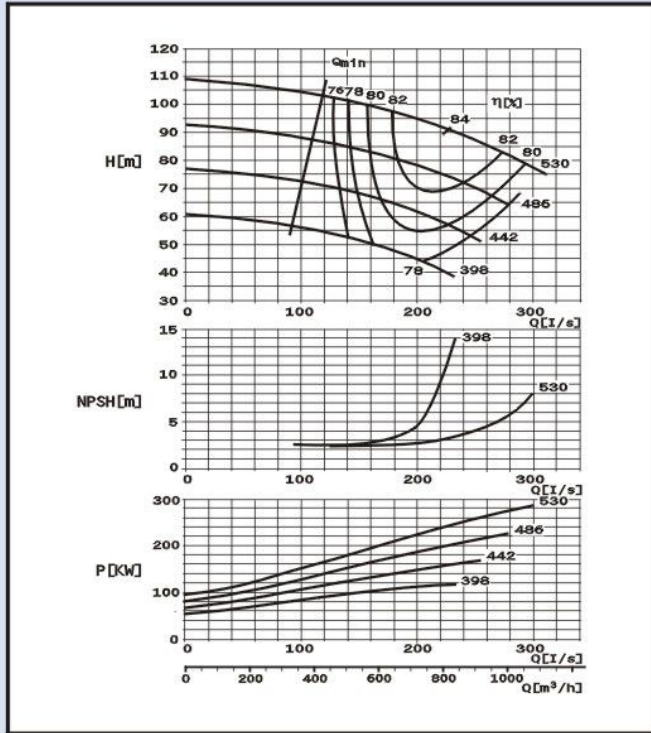


泵型号 Pump type	法兰尺寸 Flange dimension														a1	a2	f	h5≤	L2	h3	泵重量 Pump weight	
	DN1	D1	D2	n1-d1	b1	PN	DN2	D3	D4	n2-d2	b2	PN	泵重 Pump weight	含水重 Water weight								
200-320	250	355	405	12-φ28	32	1.6MPa	200	295	340	12-φ23	30	1.6MPa	450	450	590	1240	399	500	472	80		
200-420	250	355	405	12-φ28	32	1.6MPa	200	295	340	12-φ23	30	1.6MPa	500	500	590	1240	399	500	542	95		

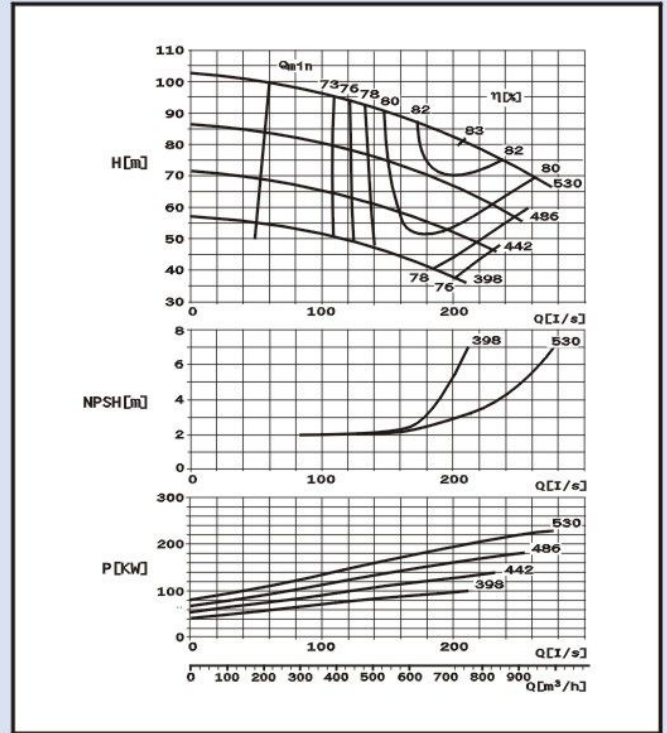
泵型号 Pump type	电机型号 Motor type	功率 Power	电压 Voltage	防护等级 Protection grade	b3	h4	h6	h7	L3	L4/L5	L6	t	p	q	电机重量 Motor weight	底座重量 Base weight	地脚螺栓 Anchor bolt
200-320	Y225S-4	37	380V	IP44	560	420	660	965	1470	635	-	300	150	820	284	250	6-M16×300
	Y225M-4	45	380V	IP44	560	420	660	965	1500	650	-	300	150	845	320	250	6-M16×300
	Y250M-4	55	380V	IP44	560	420	660	985	1560	680	-	300	150	930	427	300	6-M16×300
	Y280S-4	75	380V	IP44	560	420	660	1020	1630	715	-	300	150	1000	562	300	6-M16×300
200-420	Y250M-4	55	380V	IP44	560	420	660	985	1560	680	-	300	150	930	427	300	6-M16×300
	Y280S-4	75	380V	IP44	560	420	660	1020	1630	715	-	300	150	1000	562	300	6-M16×300
	Y280M-4	90	380V	IP44	560	420	660	1020	1680	740	-	300	150	1050	667	300	6-M16×300
	Y315S-4	110	380V	IP44	560	440	680	1210	1750	775	-	300	150	1270	1000	480	6-M16×300
	Y315M-4	132	380V	IP44	560	440	680	1210	1800	800	-	300	150	1340	1100	480	6-M16×300

GTOS型泵特性曲线 GTOS Type pump performance curve chart

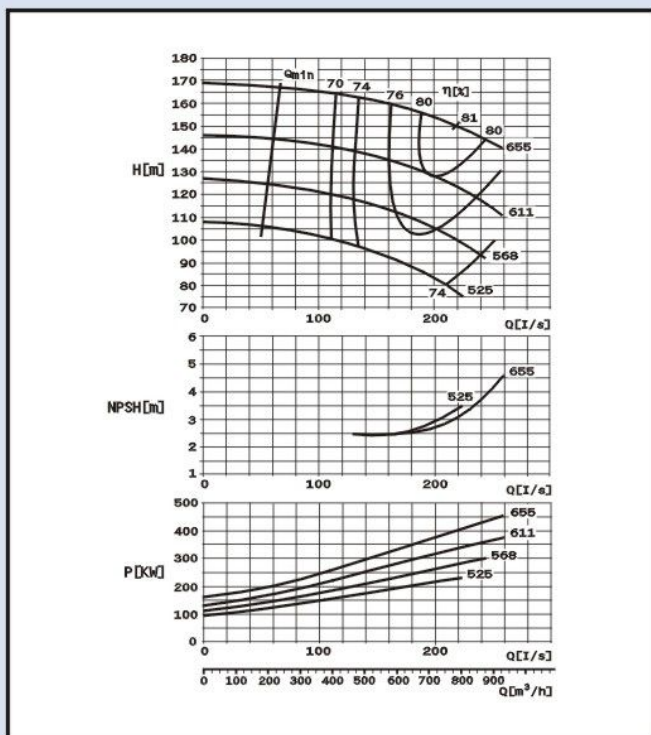
200-520 (I) n=1450r/min



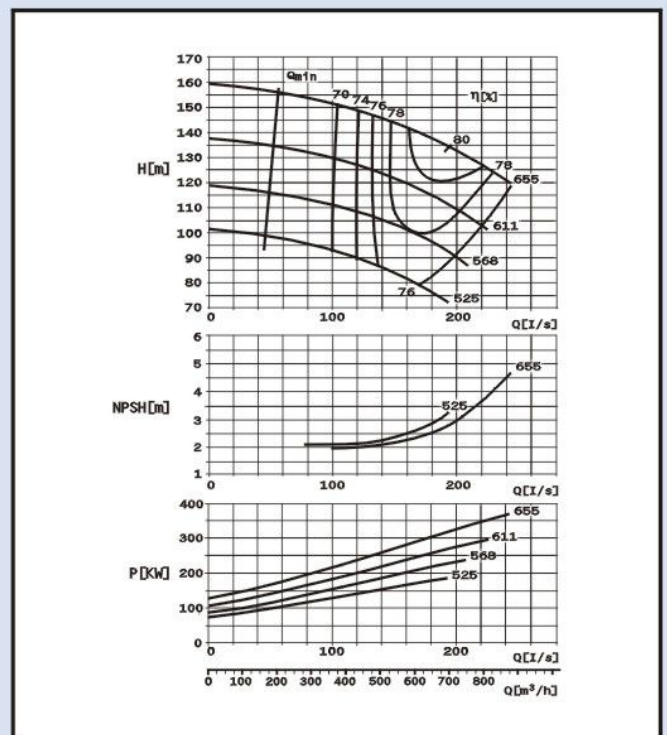
200-520 n=1450r/min



200-670 (I) n=1450r/min



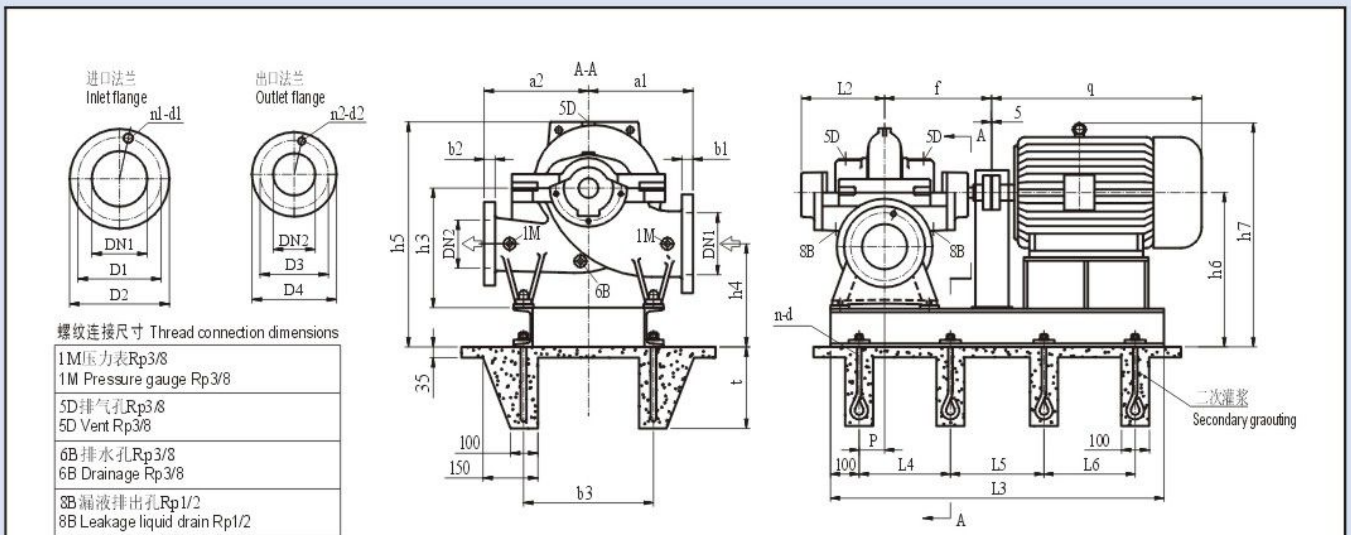
200-670 n=1450r/min



GTOS型泵性能参数表 Performance parameters of GTOS pump

泵型号 Type	流量 Capacity Q		扬程 Head m	转速 Speed r/min	轴功率 Shaft power kW	效率 Eff. η %	有效汽 蚀余量 (NPSH) _r m	电机功率 Motor power kW	叶轮参 考直径 D(mm)	泵型号 Type	流量 Capacity Q		扬程 Head m	转速 Speed r/min	轴功率 Shaft power kW	效率 Eff. η %	有效汽 蚀余量 (NPSH) _r m	电机功率 Motor power kW	叶轮参 考直径 D(mm)
	m³/h	l/s									m³/h	l/s							
GTOS 200-520(I)	A	654	181.7	97	210	82.2	4.0	280	530	GTOS 200-670(I)	A	634	176	157.5	350	77.7	3.6	500	655
		817	227	91	241	84	241	404	80			404	80	78.5	3.4	400	611		
		980	272.2	83	272	81.5	215	457	78.2			457	78.2	3.2	315	568			
	B	605	168	82.5	170	80.2	3.7	200	442		B	598	165.8	134.5	285	76.7	3.0	250	525
		756	210	76.5	192	83	148	268	77			268	77	2.9	200	525			
		907	252	70	215	80.4	172	293	74.8			293	74.8	2.9	200	525			
	C	565	156.9	67	132	78.1	3.5	132	398		C	562	156.1	114.5	231	76	3.0	250	525
		709	196.1	62.5	148	81	107	208	74			208	74	2.9	200	525			
		847	235.2	55	172	78.0	117	227	74			227	74	2.9	200	525			
GTOS 200-520	A	518	144	52.3	98	75.5	3.5	132	398	GTOS 200-670	A	576	160	142	289	77.2	3.4	400	655
		648	180	47.5	107	78.5	175	329	76			329	76	3.3	315	611			
		778	216.1	42	117	76.2	197	372	76			372	76	3.2	250	568			
	B	588	163.2	88	175	80.3	3.8	185	486		B	576	160	132.5	289	77.2	3.4	400	655
		734	204	81.7	197	83	159	263	77.5			263	77.5	3.3	315	611			
		880	244.8	73.2	215	80.3	172	293	76			293	76	3.2	250	568			
	C	556	154.4	74	141	79.6	3.6	160	442		C	530	147.2	123	231	76.8	3.0	250	525
		695	193	68	159	81	134	208	76			208	76	2.9	200	525			
		824	231.7	60	172	79.3	100	232	76			232	76	2.9	200	525			
C	478	132.8	48	81	76.8	2.9	110	398	C	493	136.9	108	187	76.1	2.9	200	525		
	598	166	43.5	91	76	110	184	74		184	74	2.9	200	525					
	717	199.2	38	98	76	110	184	74		184	74	2.9	200	525					

GTOS卧式泵安装尺寸图及主要外型尺寸 Installing dimensions of GTOS pump and outline size

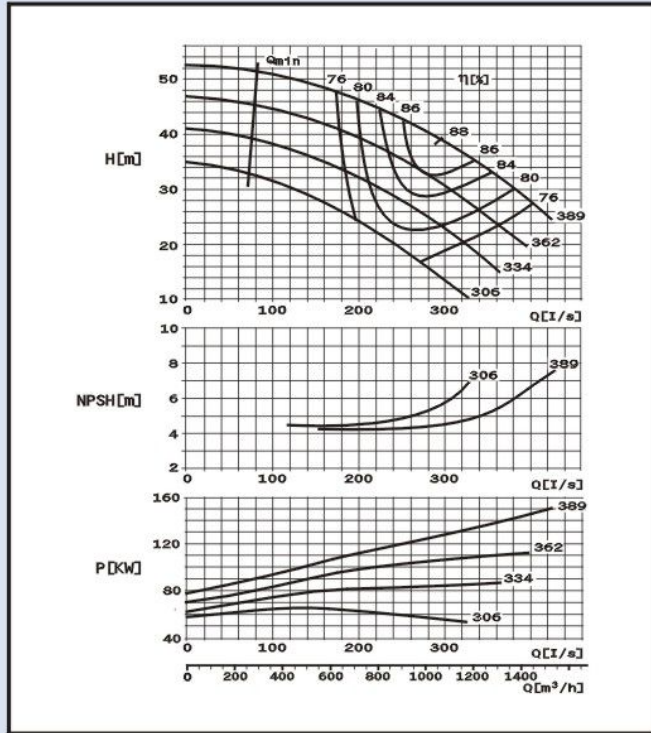


泵型号 Pump type	法兰尺寸 Flange dimension												a1	a2	f	h5≤	L2	h3	泵重量 Pump weight	
	DN1	D1	D2	n1-d1	b1	PN	DN2	D3	D4	n2-d2	b2	PN							泵重 Pump weight	含水重 Water weight
200-520	250	355	405	12-φ28	32	1.6MPa	200	295	340	12-φ23	30	1.6MPa	600	500	655	1240	464	560	882	115
200-670	250	355	405	12-φ28	32	1.6MPa	200	310	360	12-φ28	34	2.5MPa	650	550	655	1240	464	600	1040	140

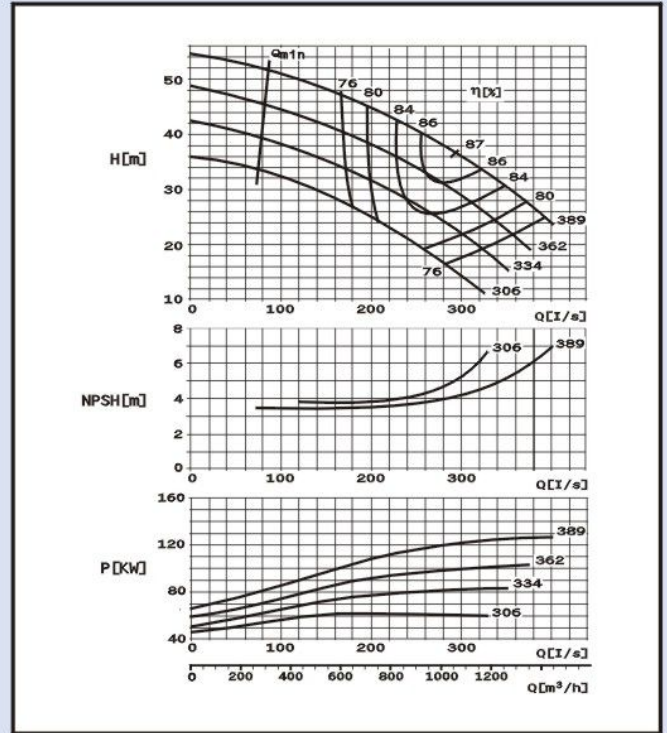
泵型号 Pump type	电机型号 Motor type	功率 Power	电压 Voltage	防护等级 Protection grade	b3	h4	h6	h7	L3	L4/L5	L6	t	p	q	电机重量 Motor weight	底座重量 Base weight	地脚螺栓 Anchor bolt
200-520	Y315S-4	110	380V	IP44	700	440	740	1290	1810	805	-	400	150	1270	1000	480	6-M20×400
	Y315M-4	132	380V	IP44	700	440	740	1290	1860	830	-	400	150	1340	1100	480	6-M20×400
	Y315L-4	160/200	380V	IP44	700	440	740	1290	1890	845	-	400	150	1340	1240	480	6-M20×400
	Y355M-4	250	380V	IP44	700	440	740	1245	2090	940	-	400	150	1800	1800	680	6-M20×400
	Y355L-4	280-315	380V	IP44	700	440	740	1245	2090	940	-	400	150	1940	1940	680	6-M20×400
	Y355-4	200-315	6kV	IP23	700	440	740	11458	2600	800	800	400	150	1790	2130	960	8-M20×400
200-670	Y450-4	220-315	10kV	IP23	940	440	740	1240	2850	880	880	400	150	2050	2790	1120	8-M20×400
	Y315L-4	200	380V	IP44	700	430	780	1330	1890	845	-	400	150	1340	1240	480	6-M20×400
	Y355M-4	250	380V	IP44	700	430	780	1285	2090	940	-	400	150	1800	1800	680	6-M20×400
	Y355L-4	315	380V	IP44	700	430	780	1285	2090	940	-	400	150	1940	1940	680	6-M20×400
	Y355-4	200-315	6kV	IP23	700	430	780	1185	2600	800	800	400	150	1790	2130	960	8-M20×400
200-670	Y400-4	355-500	6kV	IP23	860	430	780	1230	2720	845	840	400	150	1920	2890	1020	8-M20×400
	Y450-4	220-500	10kV	IP23	940	430	780	1280	2850	880	880	400	150	2050	3315	1120	8-M20×400

GTOS型泵特性曲线 GTOS Type pump performance curve chart

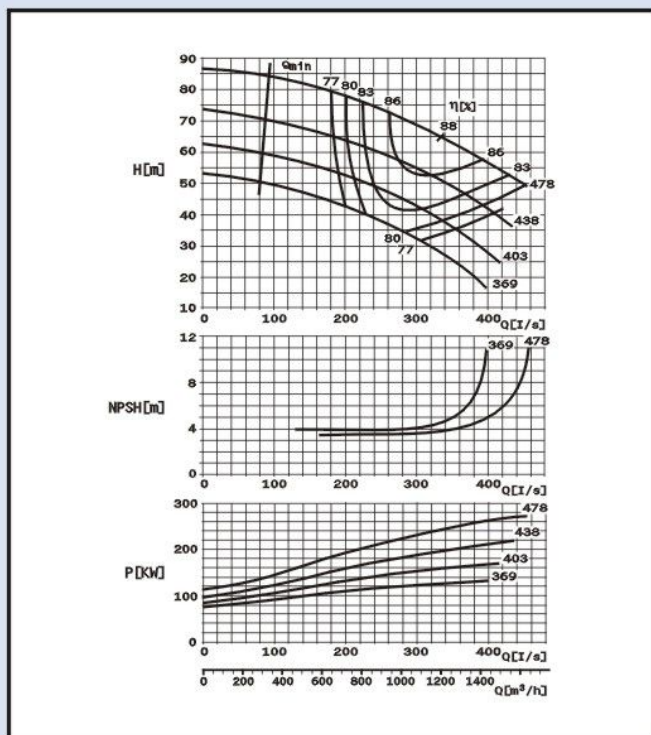
250-370 (I) n=1450r/min



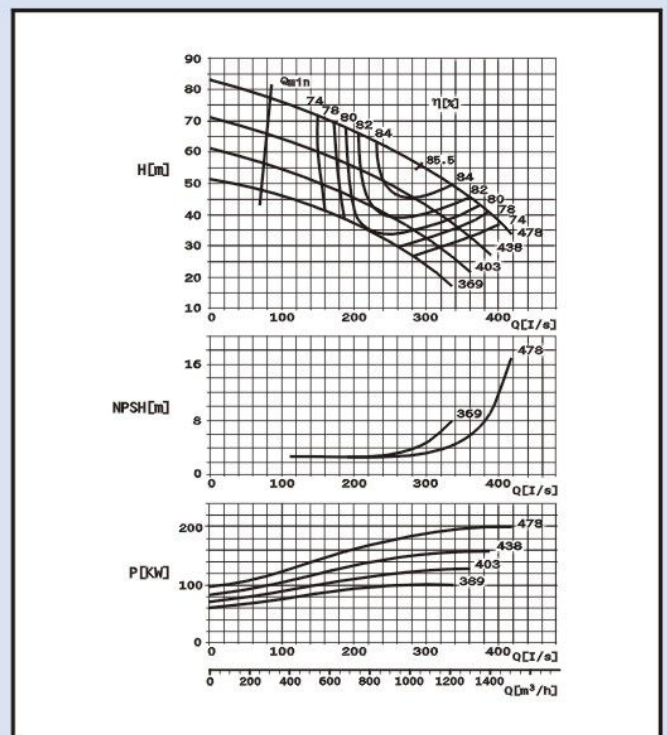
250-370 n=1450r/min



250-480 (I) n=1450r/min



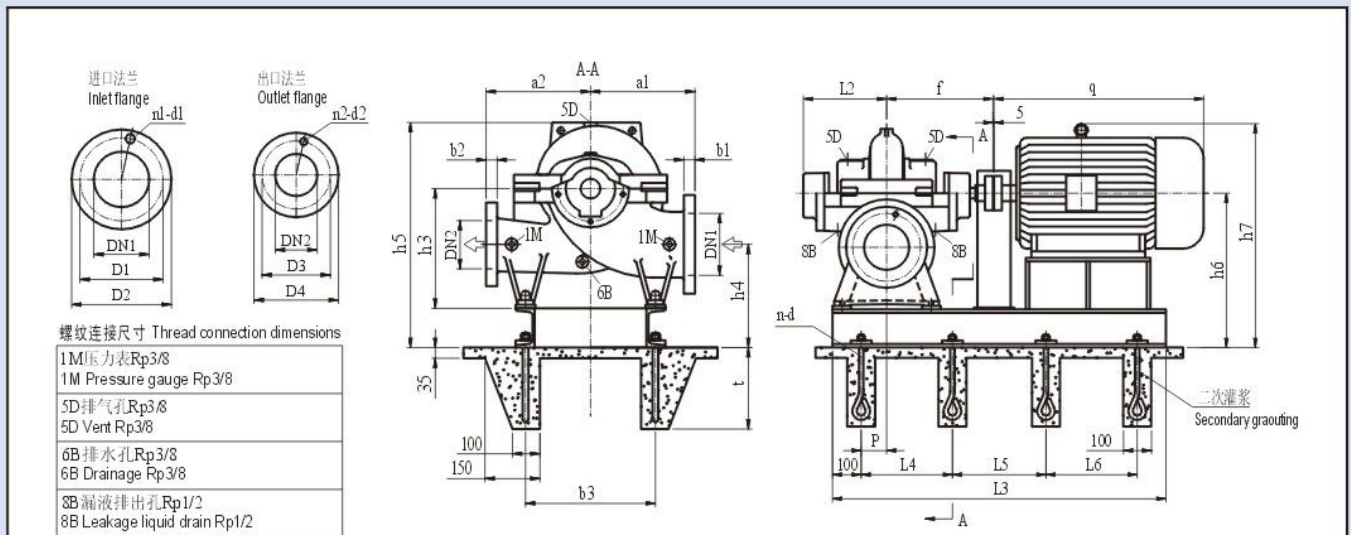
250-480 n=1450r/min



GTOS型泵性能参数表 Performance parameters of GTOS pump

泵型号 Type	流量 Capacity Q		扬程 Head m	转速 Speed r/min	轴功率 Shaft power kW	效率 Eff. η %	有效汽 蚀余量 (NPSH) _r m	电机功率 Motor power kW	叶轮参 考直径 D(mm)	泵型号 Type	流量 Capacity Q		扬程 Head m	转速 Speed r/min	轴功率 Shaft power kW	效率 Eff. η %	有效汽 蚀余量 (NPSH) _r m	电机功率 Motor power kW	叶轮参 考直径 D(mm)
	m/h	l/s									m/h	l/s							
GTOS 250-370(I)	A	840	233.3	44	1450	118	85.3	4.7	160	389	A	938	260.7	73.5	4.1	280	478		
		1051	292	39		127	88					222	84.8						
		1260	350	33.5		137	84					239	85						
	B	795	220.8	37.5		99	82.3	186	82.8	5.0	132	362	B	1080	300	55	4.0	220	438
		994	276.1	33		104	86	202	83										
		1192	331.2	27.7		109	82.3	222	83										
C	755	209.7	31.5	83	78	136	80	5.0	110	334	C	1200	333.6	38	4.0	185	403		
	943	261.9	27	83.6	83	149	83												
	1131	314.4	21	83.6	77.5	160	77.6												
GTOS 250-370	A	823	228.6	42.3	1450	112	84.5	4.7	132	389	A	864	240	62	4.1	220	478		
		1029	286	37		119	87					177	82.5						
		1235	343	31		124	84.3					191	80						
	B	775	215.3	37		94.9	82.3	141	81	4.7	110	362	B	1044	290	45	4.1	185	438
		968	268.9	32		98.1	86	149	84										
		1162	322.8	27		103.6	82.5	163	82										
C	732	203.3	32	79.7	80	111	78.6	4.7	90	334	C	1171	325.2	42	3.6	160	403		
	914	253.6	27	80	84	121	80.6												
	1097	304.8	22	82.2	80	126	78												
C	680	188.9	25.6	81.6	77	94.6	74	4.7	75	306	C	842	233.3	40	3.6	110	369		
	850	236.1	17	82.1	82	98.1	78.5												
	1020	283.3	17	81.3	77	98.4	76												

GTOS卧式泵安装尺寸图及主要外型尺寸 Installing dimensions of GTOS pump and outline size



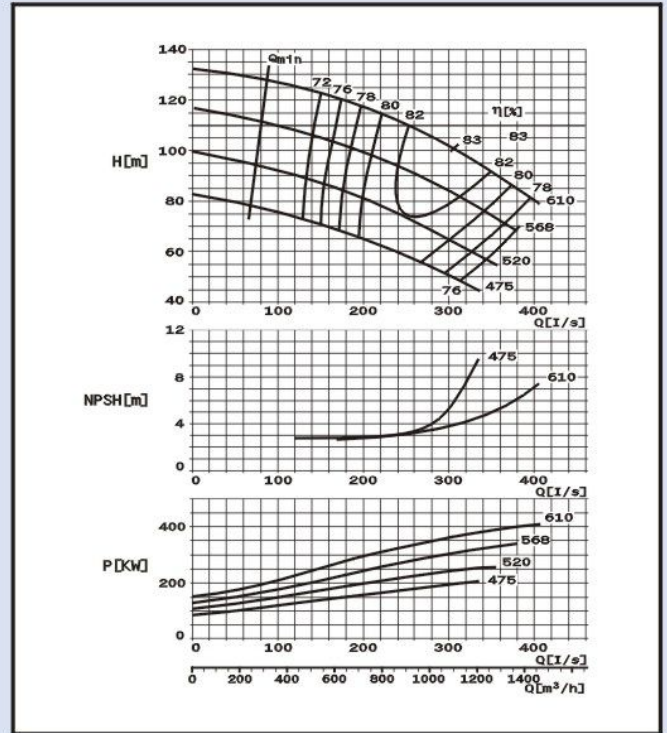
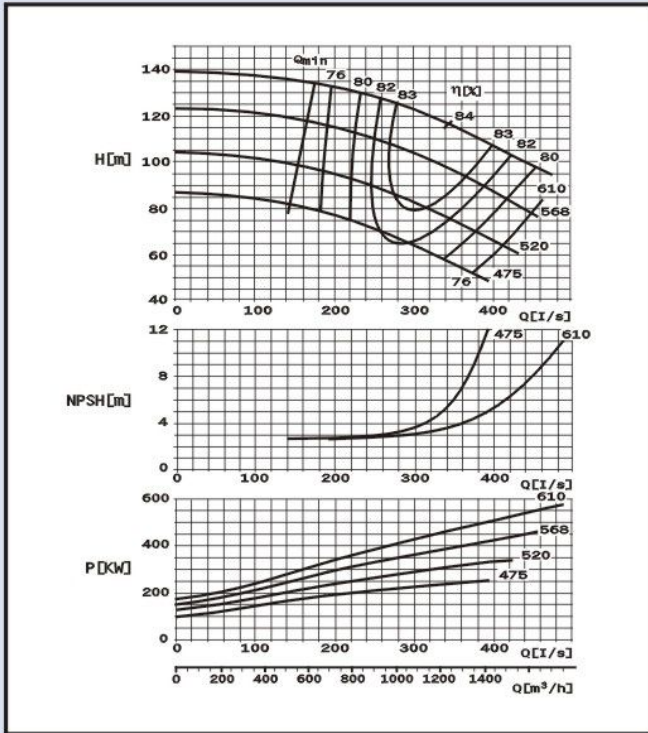
泵型号 Pump type	法兰尺寸 Flange dimension												a1	a2	f	h5≤	L2	h3	泵重量 Pump weight	
	DN1	D1	D2	n1-d1	b1	PN	DN2	D3	D4	n2-d2	b2	PN							泵重 Pump weight	含水重 Water weight
250-370	300	410	460	12-φ28	32	1.6MPa	250	355	405	12-φ23	32	1.6MPa	500	500	655	1275	464	600	732	125
250-480	300	410	460	12-φ28	32	1.6MPa	250	355	405	12-φ28	32	1.6MPa	550	550	730	1275	515	600	912	145

泵型号 Pump type	电机型号 Motor type	功率 Power	电压 Voltage	防护等级 Protection grade	b3	h4	h6	h7	L3	L4/L5	L6	t	p	q	电机重量 Motor weight	底座重量 Base weight	地脚螺栓 Anchor bolt	
250-370	Y280S-4	75	380V	IP44	700	480	780	1140	1690	745	-	400	150	1000	562	280	6-M20×400	
	Y280M-4	90	380V	IP44	700	480	780	1140	1750	775	-	400	150	1050	667	280	6-M20×400	
	Y315S-4	110	380V	IP44	700	480	780	1330	1810	805	-	400	150	1270	1000	480	6-M20×400	
	Y315M-4	132	380V	IP44	700	480	780	1330	1860	830	-	400	150	1340	1100	480	6-M20×400	
	Y315L-4	160	380V	IP44	700	480	780	1330	1890	845	-	400	150	1340	1240	480	6-M20×400	
250-480	Y315S-4	110	380V	IP44	700	500	800	1350	1950	875	-	400	210	1270	1000	500	6-M20×400	
	Y315M-4	132	380V	IP44	700	500	800	1350	2000	900	-	400	210	1340	1100	510	6-M20×400	
	Y315L-4	160	200	380V	IP44	700	500	800	1350	2030	915	-	400	210	1340	1240	520	6-M20×400
	Y355M-4	250	380V	IP44	700	500	800	1305	2220	670	670	400	210	1545	1800	600	8-M20×400	
	Y355L-4	280	380V	IP44	700	500	800	1305	2220	670	670	400	210	1545	1940	600	8-M20×400	
	Y355-4	200-280	6kV	IP23	700	500	800	1205	2740	840	840	400	210	1790	2090	720	8-M20×400	
	Y450-4	220-280	10kV	IP23	940	500	800	1300	2980	920	920	400	210	2050	2710	800	8-M20×400	

GTOS型泵特性曲线 GTOS Type pump performance curve chart

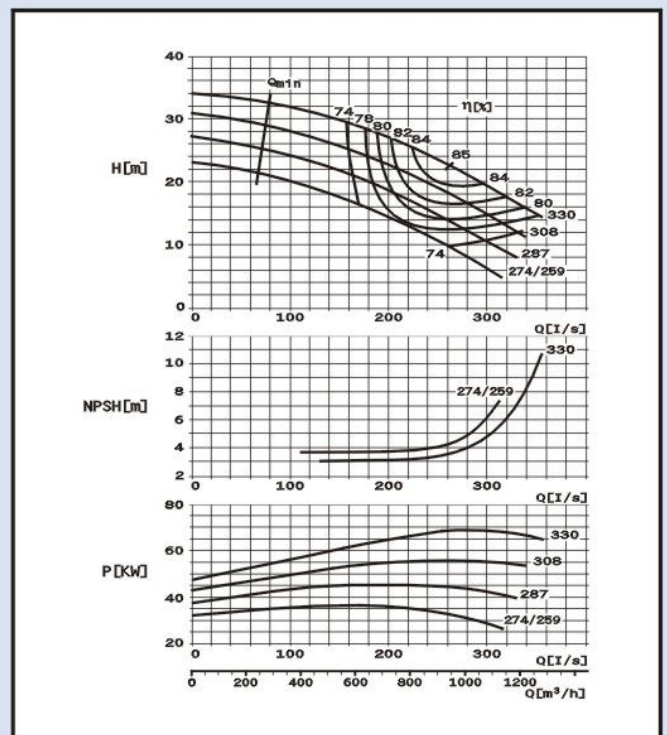
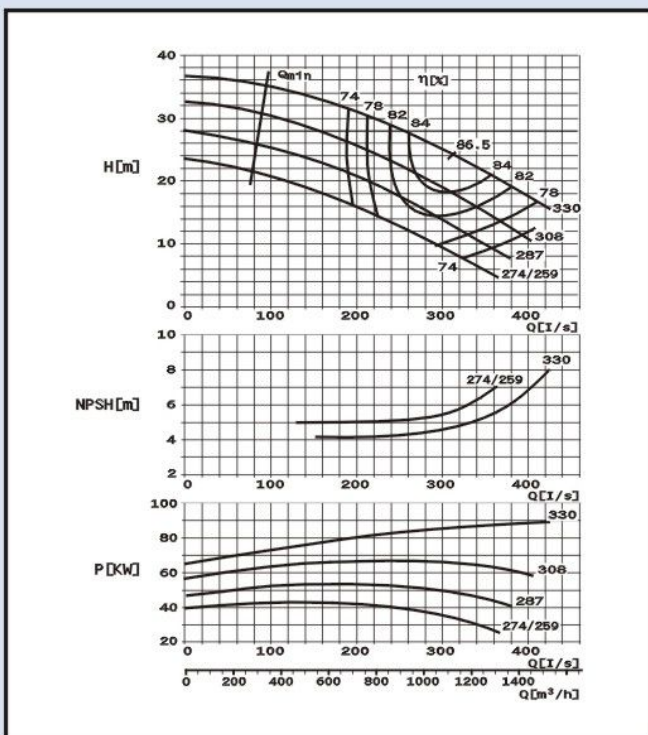
250-600 (I) n=1450r/min

250-600 n=1450r/min



300-300 (I) n=1450r/min

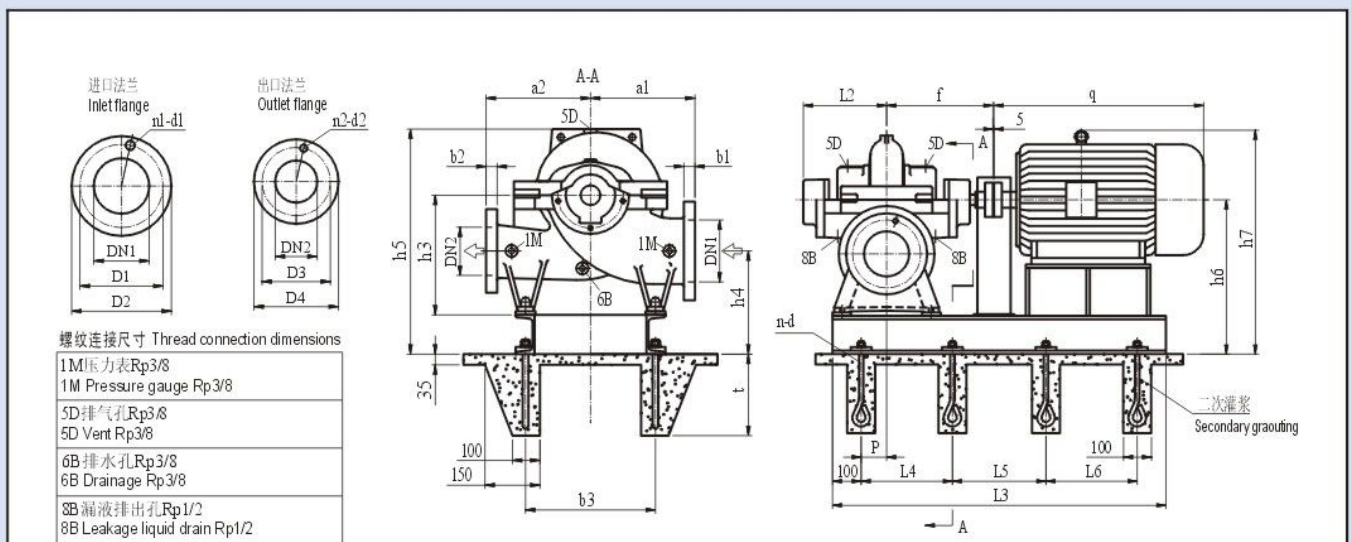
300-300 n=1450r/min



GTOS型泵性能参数表 Performance parameters of GTOS pump

泵型号 Type	流量 Capacity Q		扬程 Head m	转速 Speed r/min	轴功率 Shaft power kW	效率 Eff. η %	有效汽 蚀余量 (NPSH) _r m	电机功率 Motor power kW	叶轮参 考直径 D(mm)	泵型号 Type	流量 Capacity Q		扬程 Head m	转速 Speed r/min	轴功率 Shaft power kW	效率 Eff. η %	有效汽 蚀余量 (NPSH) _r m	电机功率 Motor power kW	叶轮参 考直径 D(mm)	
	m ³ /h	l/s									m ³ /h	l/s								
GTOS 250-600(I)	A	994	276.1	126	1450	411	83	4.6	560	610	A	878	244	28.8	1450	83.8	82.3	5.3	110	330
		1242	345	116		1098	305					24.5	85.2	86.5						
		1490	413.9	105		1318	366					20	89.4	80.3						
	B	933	259.2	108	333	82.5	4.5	450	568	B	835	232	23.5	66.4	80.5	5.5	75	308		
		1188	333.9	100	390	83					66.6	84.5								
		1490	389.9	90	421	81.5					63.2	81								
C	867	240.8	90	262	81.3	4.3	355	520	C	806	224	19	52.8	79	5.7	55	287			
	1084	301	83	295	83					51.9	82									
	1300	361.1	73.5	322	81					48.2	78									
GTOS 250-600	A	800	222.2	74	1450	201	80.3	4.0	250	475	A	772	214	16	1450	41.5	76	6.0	45	274
		1000	277.8	66		268	82.5					37.8	80							
		1200	333.3	60		244	80.5					32	74							
	B	835	232	114	320	81.2	3.7	400	610	B	745	208	26.2	64.4	83	4.1	90	330		
		1044	290	104	356	82					936	260	23	69	85					
		1253	348	91.5	381	82					1123	312	20	72.9	84					
C	772	214.4	98	255	80.8	3.6	315	568	C	691	192	24.0	56.2	80.5	4.1	75	308			
	965	268.1	90	287	82.5					864	240	20	56	81						
	1158	321.6	80	311	81.3					1037	288	15.8	55.1	84						
B	700	194.4	80.3	192	80	3.3	250	520	B	639	178	20	45.5	76.5	4.2	55	287			
	875	243.1	74.5	218	81.5					900	222	16.7	44.9	81						
	1050	291.7	66.0	235	80.3					960	267	13.5	44.6	79						
C	640	177.7	67.5	149	79	3.1	200	475	C	560	156	17.5	37.1	72	4.3	45	274			
	800	222.2	62.0	168	80.5					700	194	15	37.1	77						
	960	266.7	56.5	186	79.5					840	233	12	36.1	76						

GTOS卧式泵安装尺寸图及主要外型尺寸 Installing dimensions of GTOS pump and outline size

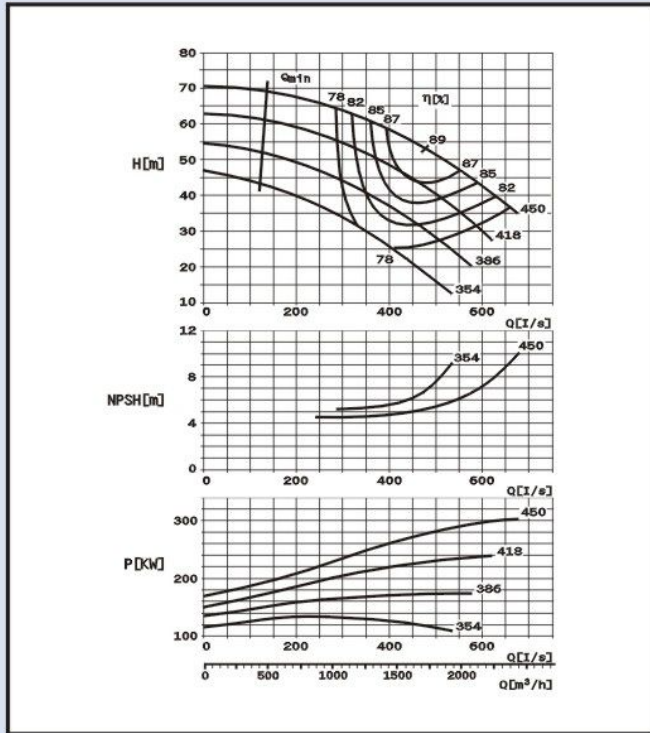


泵型号 Pump type	法兰尺寸 Flange dimension												a1	a2	f	h5≤	L2	h3	泵重量 Pump weight	
	DN1	D1	D2	n1-d1	b1	PN	DN2	D3	D4	n2-d2	b2	PN							泵重 Pump weight	含水量 Water content
250-600	300	410	460	12-φ28	32	1.6MPa	250	370	425	12-φ31	36	2.5MPa	650	550	730	1275	515	630	1336	180
300-300	350	470	520	16-φ28	36	1.6MPa	300	410	460	12-φ28	32	1.6MPa	550	500	655	1430	464	630	692	100

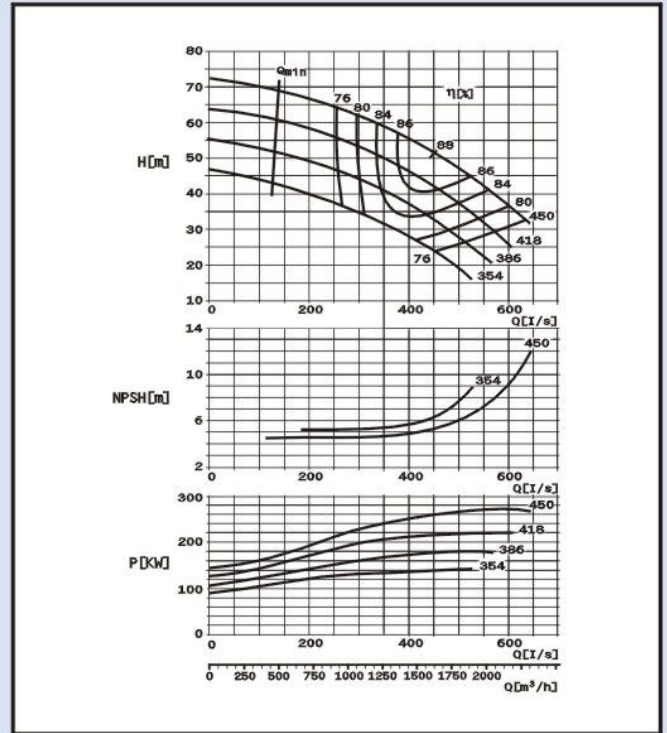
泵型号 Pump type	电机型号 Motor type	功率 Power	电压 Voltage	防护等级 Protection grade	b3	h4	h6	h7	L3	L4/L5	L6	t	p	q	电机重量 Motor weight	底座重量 Base weight	地脚螺栓 Anchor bolt	
250-600	Y315L-4	160	200	380V	IP44	700	480	830	1380	2030	915	-	400	210	1340	1240	520	6-M20×400
	Y355M-4	250	380V	IP44	700	480	830	1335	2200	670	670	400	210	1545	180	600	8-M20×400	
	Y355L-4	315	380V	IP44	700	480	830	1335	2200	670	670	400	210	1545	1940	600	8-M20×400	
	Y355-4	200-315	6kV	IP23	700	480	830	1235	2740	840	840	400	210	1790	2130	720	8-M20×400	
	Y400-4	355-560	6kV	IP23	860	480	830	1280	2850	880	880	400	210	1920	3010	760	8-M20×400	
	Y450-4	220-560	10kV	IP23	940	480	830	1330	2980	920	920	400	210	2050	3380	800	8-M20×400	
300-300	Y225M-4	45	380V	IP44	700	510	810	1115	1560	680	-	400	150	845	320	250	6-M20×400	
	Y250M-4	55	380V	IP44	700	510	810	1135	1620	710	-	400	150	930	427	280	6-M20×400	
	Y280S-4	75	380V	IP44	700	510	810	1170	1690	745	-	400	150	1000	562	280	6-M20×400	
	Y280M-4	90	380V	IP44	700	510	810	1170	1750	775	-	400	150	1050	667	280	6-M20×400	
	Y315S-4	110	380V	IP44	700	510	810	1360	1810	805	-	400	150	1270	1000	480	6-M20×400	

GTOS型泵特性曲线 GTOS Type pump performance curve chart

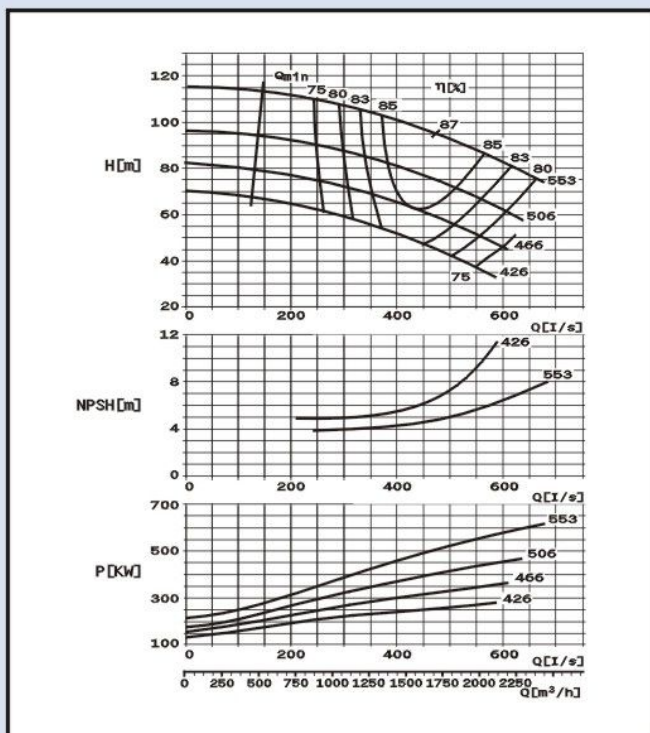
300-435 (I) n=1450r/min



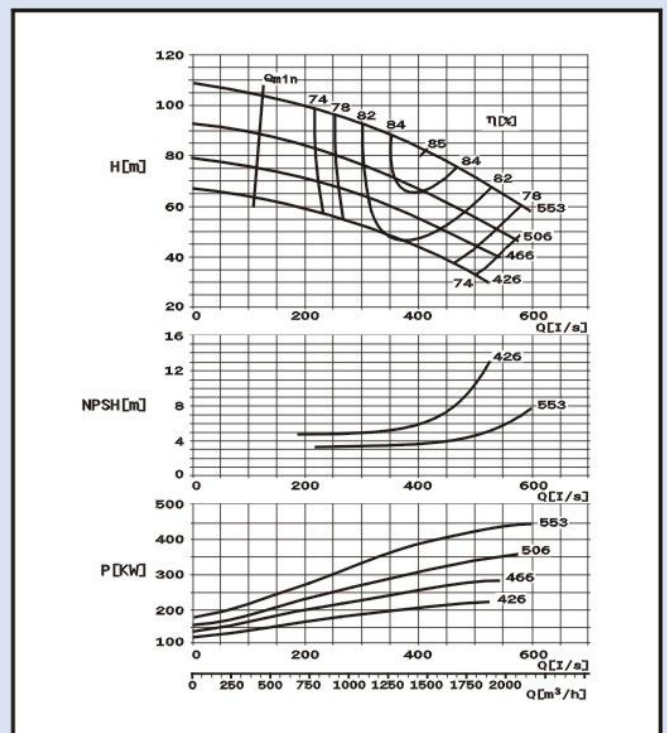
300-435 n=1450r/min



300-560 (I) n=1450r/min



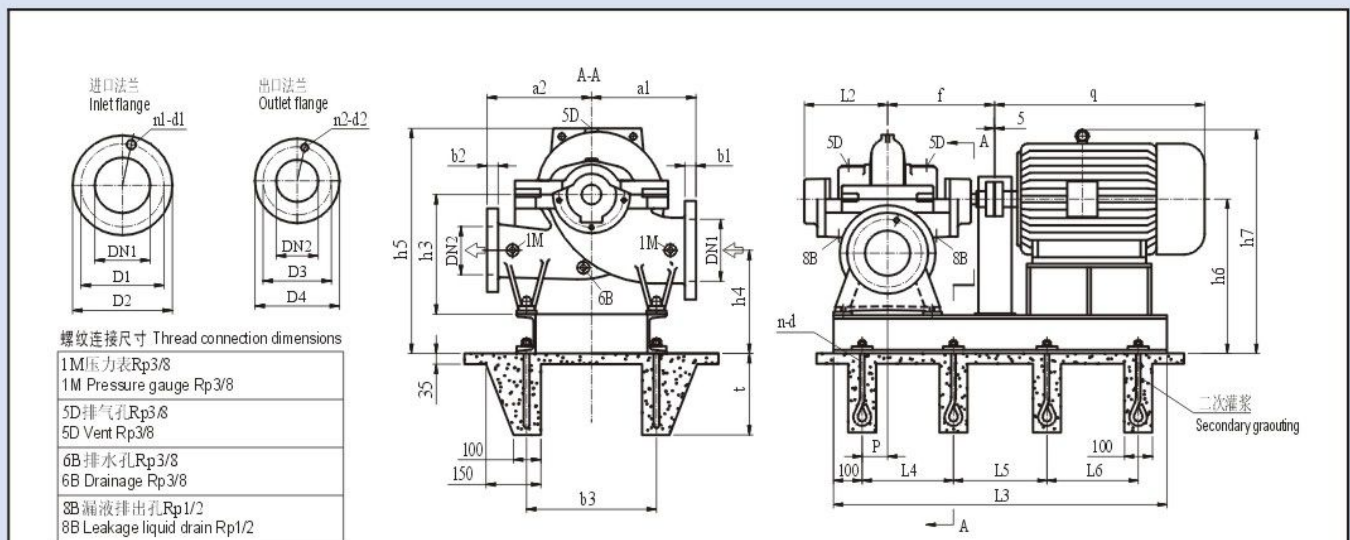
300-560 n=1450r/min



GTOS型泵性能参数表 Performance parameters of GTOS pump

泵型号 Type	流量 Capacity Q		扬程 Head m	转速 Speed r/min	轴功率 Shaft power kW	效率 Eff. η %	有效汽 蚀余量 (NPSH) _r m	电机功率 Motor power kW	叶轮参 考直径 D(mm)	泵型号 Type	流量 Capacity Q		扬程 Head m	转速 Speed r/min	轴功率 Shaft power kW	效率 Eff. η %	有效汽 蚀余量 (NPSH) _r m	电机功率 Motor power kW	叶轮参 考直径 D(mm)	
	m ³ /h	l/s									m ³ /h	l/s								
GTOS 300-435(I)	A	1342	373	60	1450	257	85.6	7.1	315	450	A	1397	388	101.6	1450	454	85.2	5.7	630	553
		1677	466	53		275	89					1746	485	94		520	87			
		2012	559	46		295	85.5					2095	582	83.5		570	83.5			
	B	1262	350	52	213	84	1316	366	83.5	357	83.8									
		1577	438	45	223	86.5	1645	457	76	369	85.5									
		1892	526	37.5	230	84	1974	548	67	433	83.3									
	C	1181	328	42.5	171	80	1258	350	68	281	83									
		1476	410	36.5	175	84	1573	437	62	313	85									
		1771	492	28.5	182	80	1888	524	54	339	82									
GTOS 300-435	A	1396	380	57.5	1450	240	84.8	6.9	315	450	A	1238	344	88.5	1450	359	83.2	5.15	450	553
		1620	450	51.5		250	86					1748	430	80		399	85			
		1944	540	43.5		273	84.5					1858	516	70		427	83			
	B	1215	338	51.5	206	83	1158	322	75	286	82.7									
		1519	422	45	215	86.5	1447	402	67	316	83.5									
		1823	506	37.5	222	84	1736	482	57	351	81.5									
	C	1138	316	43.5	188	80.5	1089	302	64	235	81									
		1422	395	37.5	173	84	1361	378	67	265	83									
		1706	474	30	174	80	1623	454	50	273	81.5									
C	1066	296	35	130	78	1026	285	53	186	79.5										
	1332	370	30.5	136	81.5	1282	358	47.5	204	82										
	1598	444	24.5	138	77.5	1538	427	41	213	80.8										

GTOS卧式泵安装尺寸图及主要外型尺寸 Installing dimensions of GTOS pump and outline size



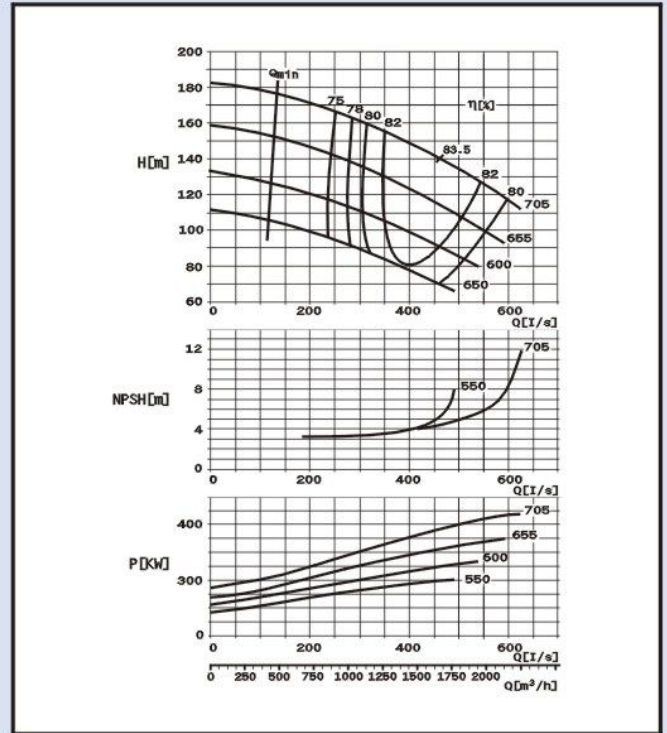
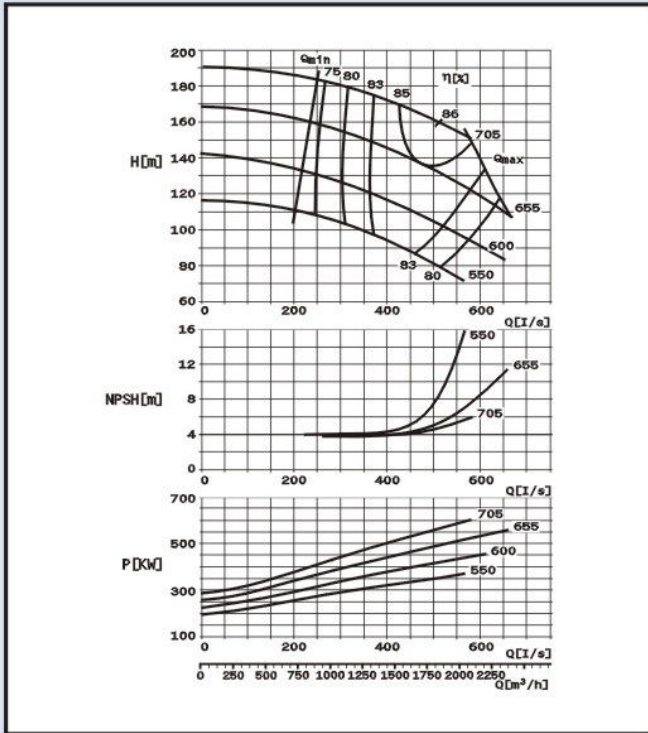
泵型号 Pump type	法兰尺寸 Flange dimension										a1	a2	f	h5 ≤	L2	h3	泵重量 Pump weight			
	DN1	D1	D2	n1-d1	b1	PN	DN2	D3	D4	n2-d2							b2	PN	泵重 Pump weight	含水重 Water weight
300-435	400	525	580	16-φ31	38	1.6MPa	300	410	460	12-φ28	32	1.6MPa	650	550	730	1430	515	670	996	190
300-560	400	525	580	16-φ31	38	1.6MPa	300	410	460	12-φ28	32	1.6MPa	700	650	810	1430	585	710	1568	225

泵型号 Pump type	电机型号 Motor type	功率 Power	电压 Voltage	防护等级 Protection grade	b3	h4	h6	h7	L3	L4/L5	L6	t	p	q	电机重量 Motor weight	底座重量 Base weight	地脚螺栓 Anchor bolt	
300-435	Y315L-4	160	200	380V	IP44	700	520	870	1420	2030	915	-	400	210	1340	1240	520	6-M20×400
	Y355M-4	250	380V	IP44	700	520	870	1375	2220	670	670	400	210	1545	1800	600	8-M20×400	
	Y355L-4	315	380V	IP44	700	520	870	1375	2220	670	670	400	210	1545	1940	600	8-M20×400	
	Y355-4	200-315	6kV	IP23	700	520	870	1275	2740	840	840	400	210	1790	2130	720	8-M20×400	
	Y450-4	220-315	10kV	IP23	940	520	870	1370	2980	920	920	400	210	2050	2790	800	8-M20×400	
300-560	Y355M-4	250	380V	IP44	950	560	910	1415	2300	700	700	400	210	1545	1800	630	8-M24×400	
	Y355L-4	315	380V	IP44	950	560	910	1415	2300	700	700	400	210	1545	1940	630	8-M24×400	
	Y355-4	200-315	6kV	IP23	950	560	910	1315	2820	870	870	400	210	1790	2130	790	8-M24×400	
	Y400-4	355-560	6kV	IP23	950	560	910	1360	2930	910	910	400	210	1920	3010	800	8-M24×400	
	Y450-4	630	6kV	IP23	950	560	910	1410	3060	950	950	400	210	2000	3160	820	8-M24×400	
Y450-4	220-630	10kV	IP23	950	560	910	1460	3060	950	950	400	210	2050	3461	820	8-M24×400		

GTOS型泵特性曲线 GTOS Type pump performance curve chart

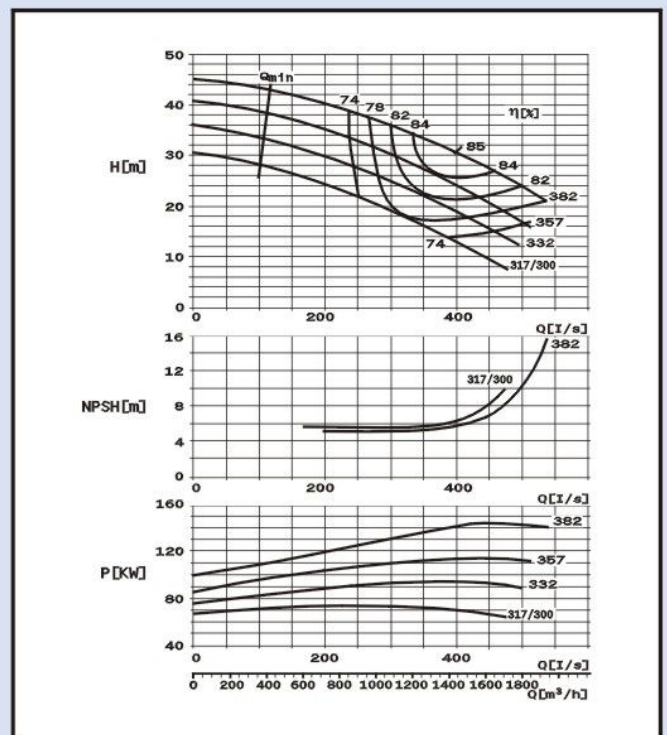
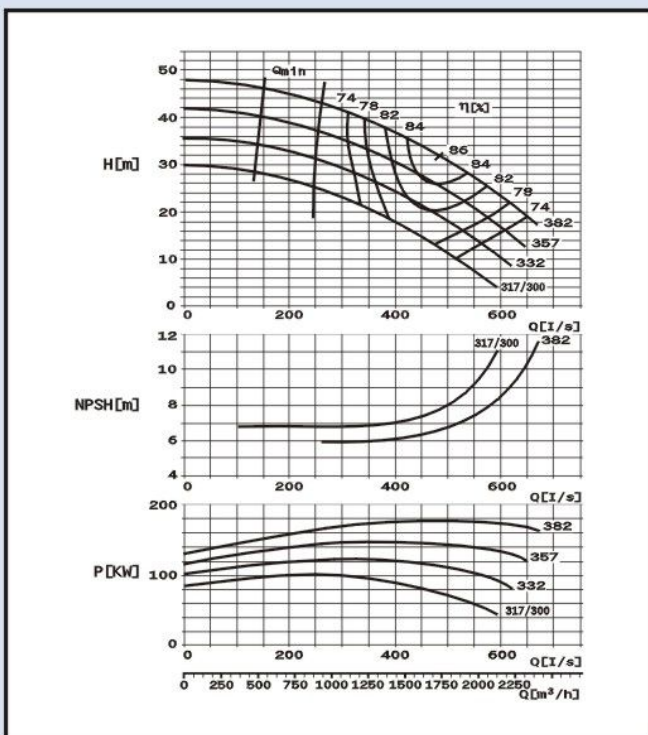
300-700 (I) n=1450r/min

300-700 n=1450r/min



350-360 (I) n=1450r/min

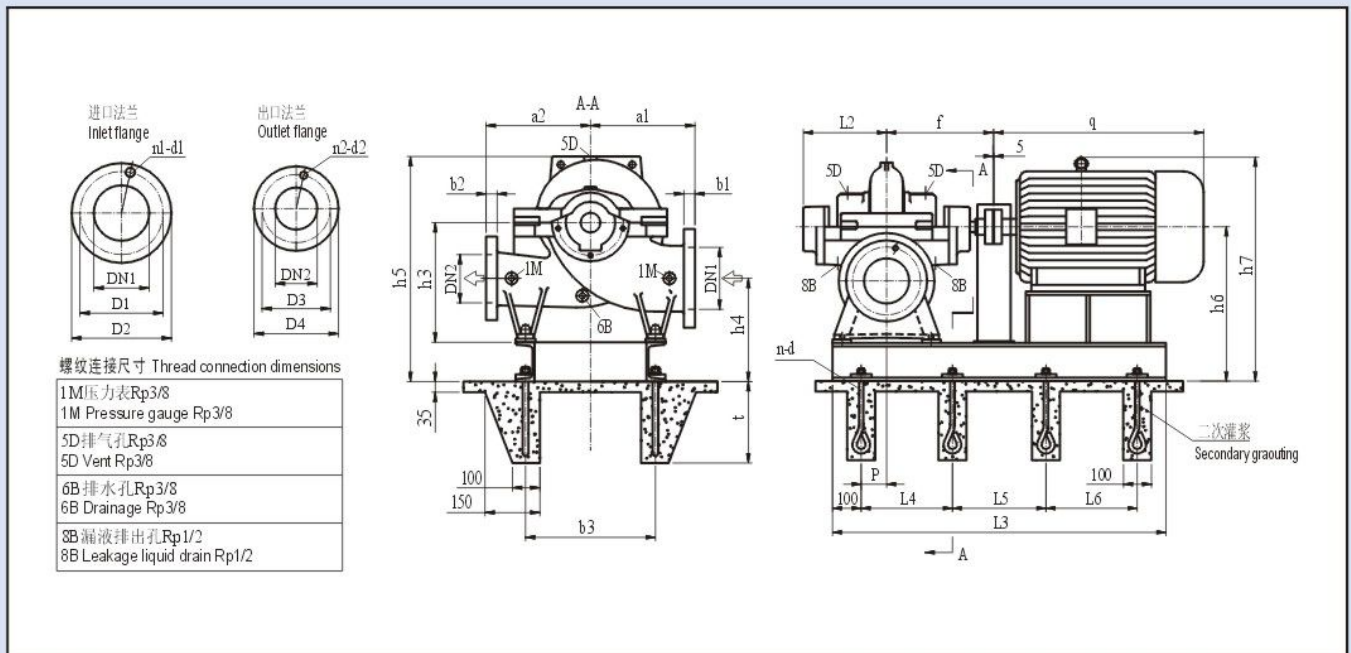
350-360 n=1450r/min



GTOS型泵性能参数表 Performance parameters of GTOS pump

泵型号 Type	流量 Capacity Q		扬程 Head m	转速 Speed r/min	轴功率 Shaft power kW	效率 Eff. η %	有效汽 蚀余量 (NPSH) _r m	电机功率 Motor power kW	叶轮参 考直径 D(mm)	泵型号 Type	流量 Capacity Q		扬程 Head m	转速 Speed r/min	轴功率 Shaft power kW	效率 Eff. η %	有效汽 蚀余量 (NPSH) _r m	电机功率 Motor power kW	叶轮参 考直径 D(mm)
	m ³ /h	l/s									m ³ /h	l/s							
GTOS 300-700(I)	A	1469	408	170	810	84	4.95	1120	705	GTOS 350-360(I)	A	1385	385	37.5	171	83	8.1	200	382
		1836	510	160	941	86						175	86.5						
		2070	575	151	1011	84.2						175	81						
	B	1388	386	147	662	84	4.95	900	655		B	1354	376	32	146	81			
		1735	482	136	750	84.6						144	85						
		2082	578	126	854	83						138	80						
C	1298	361	122	521	82.8	5.0	630	600	C	1313	365	26.5	120	78.8					
	1623	451	112	587	84.3					113	83								
	1948	541	100	647	82					103	78								
GTOS 300-700	A	1350	375	152	679	82.3	5.15	800	705	GTOS 350-360	A	1138	316	35.5	133	83			
		1868	469	139	840	81.6						140	85.5						
		2026	563	124	840	81.5						144	83.3						
	B	1258	350	130	544	82	4.85	710	655		B	1068	297	30.5	110	81			
		1673	437	119	614	80.3						114	84						
		1845	512	106	667	81						116	81						
C	1160	322	108	422	81	4.35	560	600	C	1016	282	26.6	90	79					
	1450	403	99	474	82.5					95	82								
	1740	483	87	512	80.5					93	78								
A	1074	298	90	328	80.3	4.1	400	550	C	960	264	21.6	74	75.5					
	1342	373	81	381	82					74	75								
	1610	447	71.5	391	80.3					71	74								

GTOS卧式泵安装尺寸图及主要外型尺寸 Installing dimensions of GTOS pump and outline size



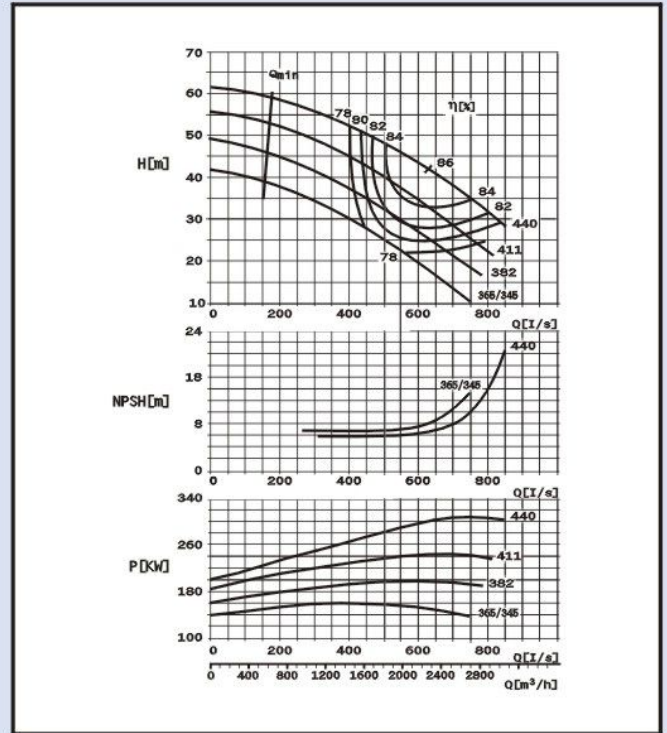
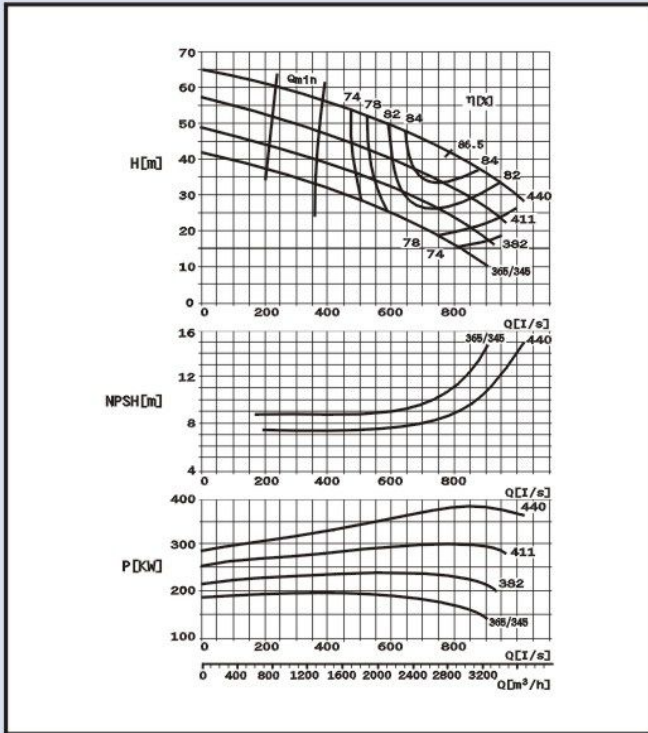
泵型号 Pump type	法兰尺寸 Flange dimension												a1	a2	f	h5≤	L2	h3	泵重量 Pump weight	
	DN1	D1	D2	n1-d1	b1	PN	DN2	D3	D4	n2-d2	b2	PN							泵重 Pump weight	含水重 Water weight
300-700	400	525	580	16-φ31	38	1.6MPa	350	430	485	12-φ31	40	2.5MPa	750	650	810	1430	585	750	1860	275
350-360	400	525	580	16-φ31	38	1.6MPa	350	470	520	16-φ28	36	1.6MPa	650	550	730	1415	515	670	952	160

泵型号 Pump type	电机型号 Motor type	功率 Power	电压 Voltage	防护等级 Protection grade	b3	h4	h6	h7	L3	L4/L5	L6	t	p	q	电机重量 Motor weight	底座重量 Base weight	地脚螺栓 Anchor bolt
300-700	Y400-4	400-560	6kV	IP23	950	550	950	1400	2930	910	910	400	210	1920	3010	800	8-M30×500
	Y450-4	630-900	6kV	IP23	950	550	950	1450	3060	950	950	400	210	2000	3580	820	8-M30×500
	Y500-4	1000-1120	6kV	IP23	1080	550	950	1500	3230	1010	1010	400	210	2200	4500	890	8-M30×500
	Y450-4	400-630	10kV	IP23	950	550	950	1450	3060	950	950	400	210	2050	3461	820	8-M30×500
	Y500-4	710-1120	10kV	IP23	1080	550	950	1500	3230	1010	1010	400	210	2200	5150	890	8-M30×500
350-360	Y280M-4	90	380V	IP44	700	500	850	1210	1880	840	-	400	210	1050	667	480	6-M20×400
	Y315S-4	110	380V	IP44	700	500	850	1400	1950	875	-	400	210	1270	1000	500	6-M20×400
	Y315M-4	132	380V	IP44	700	500	850	1400	2000	900	-	400	210	1340	1100	510	6-M20×400
	Y315L-4	160	200	380V	IP44	700	500	850	1400	2030	915	-	400	210	1340	1240	520

GTOS型泵特性曲线 GTOS Type pump performance curve chart

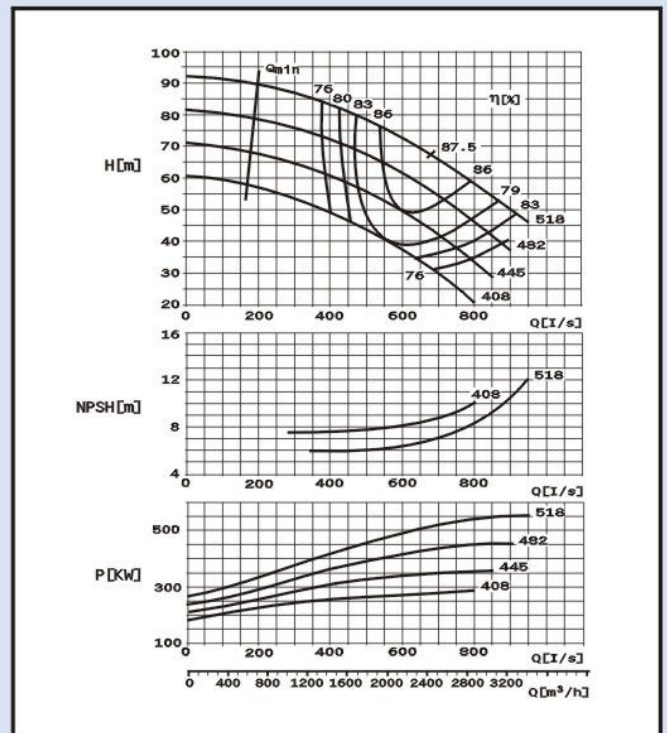
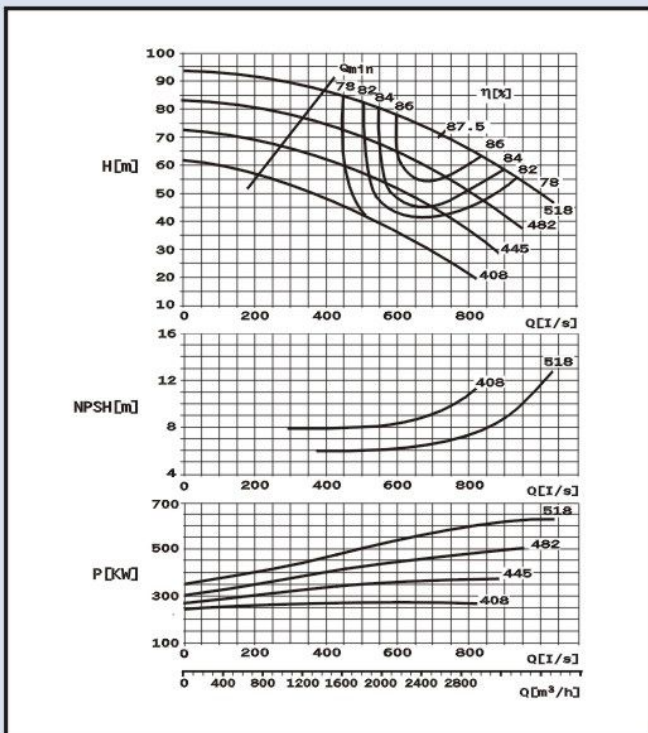
350-430 (I) n=1450r/min

350-430 n=1450r/min



350-510 (I) n=1450r/min

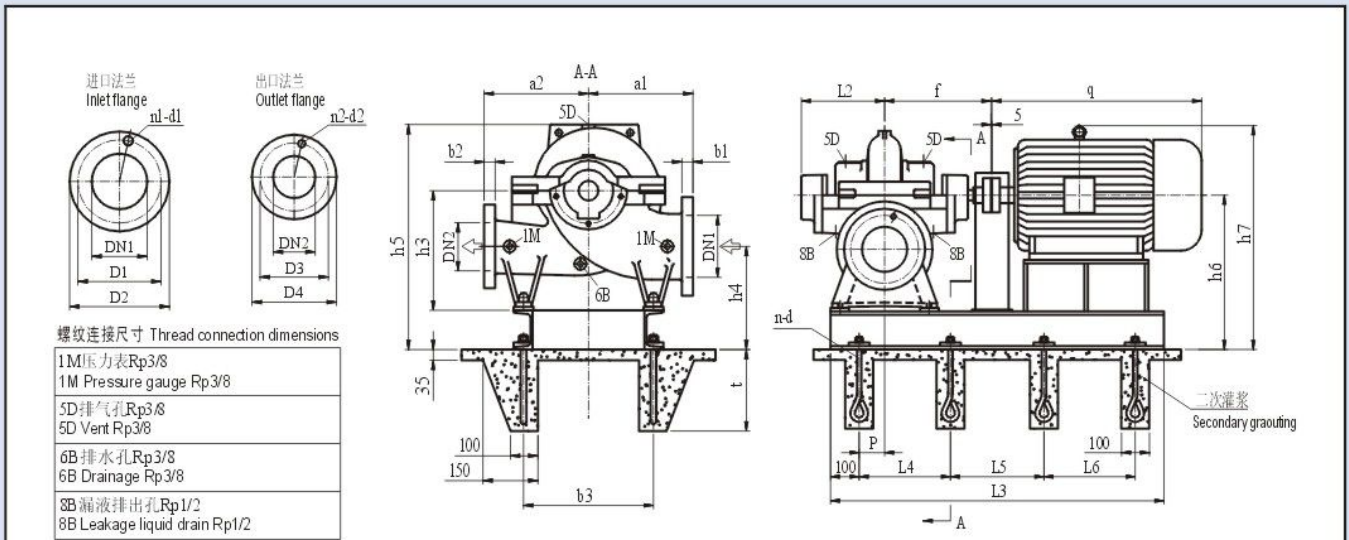
350-510 n=1450r/min



GTOS型泵性能参数表 Performance parameters of GTOS pump

泵型号 Type	流量 Capacity Q		扬程 Head m	转速 Speed r/min	轴功率 Shaft power kW	效率 Eff. η %	有效汽 蚀余量 (NPSH) _r m	电机功率 Motor power kW	叶轮参 考直径 D(mm)	泵型号 Type	流量 Capacity Q		扬程 Head m	转速 Speed r/min	轴功率 Shaft power kW	效率 Eff. η %	有效汽 蚀余量 (NPSH) _r m	电机功率 Motor power kW	叶轮参 考直径 D(mm)	
	m/h	l/s									m/h	l/s								
GTOS 350-430(I)	A	2194	610	49.5	353	84	12.2	450	440	GTOS 350-510(I)	A	2088	580	80	529	86	10.0	630	518	
		2743	762	43.5	371	87.5						2610	725	70	562	88.5				
		3292	914	35	371	84.7						3132	870	60	605	84.7				
	B	2108	586	41.5	291	82	12.5	355	411		B	B	1944	540	68	426	84.5	11.0	400	445
		2935	732	35	294	86.5							2430	675	60	468	87			
		3162	878	27	281	82.8							2916	810	50	473	84			
C	2050	570	33	231	80	13.1	280	382	C	C	1786	496	57.5	345	81	11.5	315	408		
	2563	712	27.5	229	84						2070	575	38	363	86					
	3076	854	20	210	82						2484	690	30	360	85					
GTOS 350-430	A	1786	496	48	277	84.2	9.0	355	440	GTOS 350-510	A	1958	544	76	468	87	9.9	560	518	
		2232	620	42.5	303	86.2						2448	690	67	501	86				
		2678	744	35	303	84.2						2938	816	57	531	86				
	B	1670	464	42.5	237	81.5	9.0	280	411		B	B	1814	504	67.5	393	85	10.2	500	482
		2088	580	36	242	84.5							2268	630	59.5	429	87			
		2506	696	28.8	240	82							2722	756	50	436	85			
C	1500	442	35	193	78.5	9.9	250	382	C	C	1670	464	58	320	82.5	10.4	400	445		
	1987	552	30	198	82						2088	580	50	335	85					
	2384	662	23.5	195	78.2						2506	696	41.5	344	82.5					
C	1486	413	30	180	76	9.9	200	365	C	C	1555	432	47.5	268	78	10.7	315	408		
	1858	516	25	161	78.5						2194	610	41.5	265	78					
	2230	619	18.5	148	76						2333	648	34.5	274	80					

GTOS卧式泵安装尺寸图及主要外型尺寸 Installing dimensions of GTOS pump and outline size

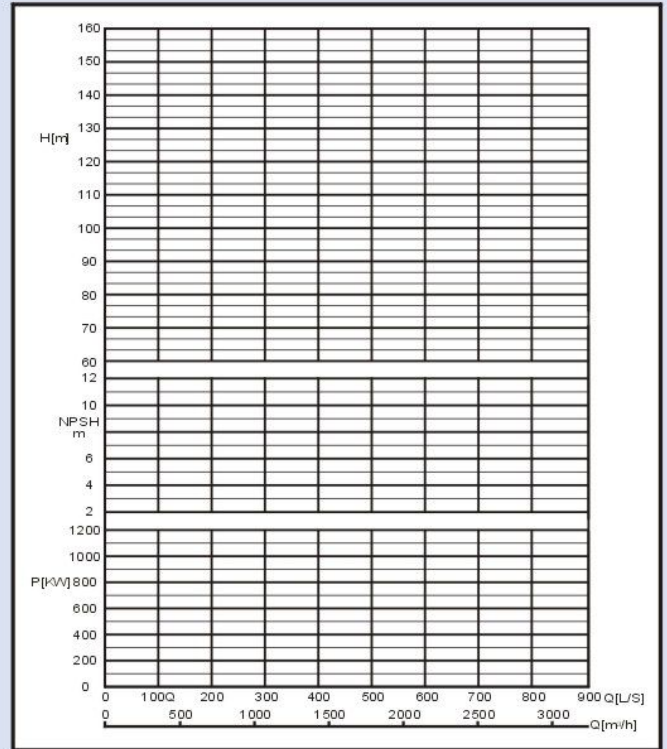
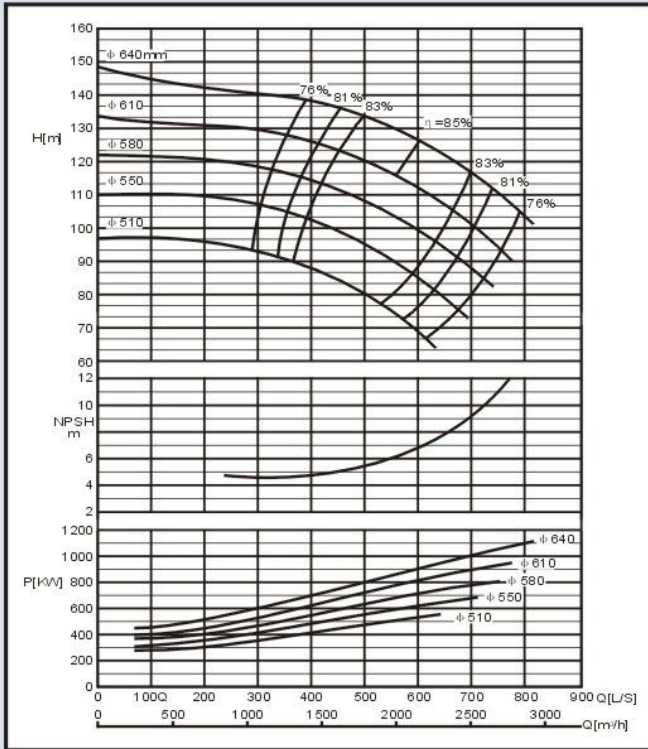


泵型号 Pump type	法兰尺寸 Flange dimension												a1	a2	f	h5≤	L2	h3	泵重量 Pump weight	
	DN1	D1	D2	n1-d1	b1	PN	DN2	D3	D4	n2-d2	b2	PN							泵重 Pump weight	含水重 Water load
350-430	450	585	640	20-φ31	40	1.6MPa	350	470	520	16-φ28	36	1.6MPa	750	650	810	1415	585	750	1412	240
350-510	400	525	580	16-φ31	38	1.6MPa	350	470	520	16-φ28	36	1.6MPa	700	650	810	1415	585	750	1535	290

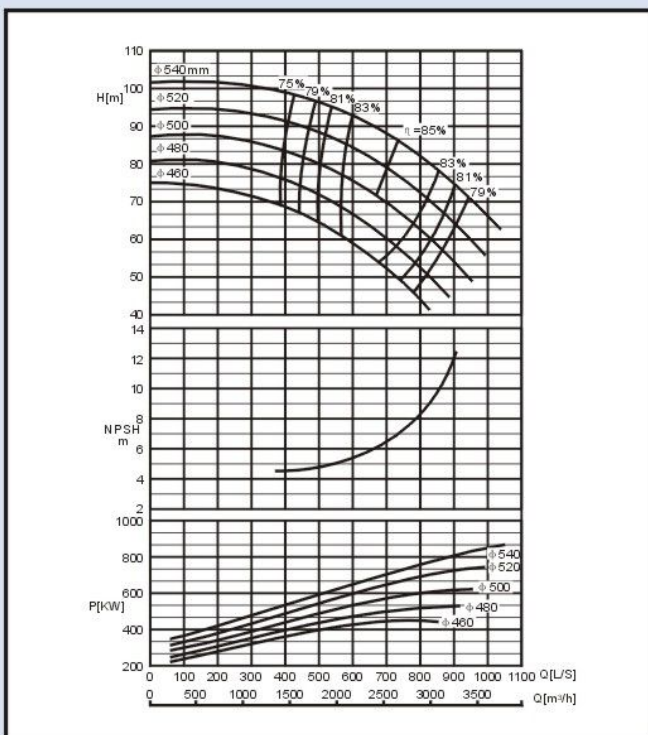
泵型号 Pump type	电机型号 Motor type	功率 Power	电压 Voltage	防护等级 Protection grade	b3	h4	h6	h7	L3	L4/L5	L6	t	p	q	电机重量 Motor weight	底座重量 Base weight	地脚螺栓 Anchor bolt
350-430	Y315L-4	200	380V	IP44	950	550	950	1500	2110	955	-	400	210	1340	1240	560	6-M24×400
	Y355M-4	250	380V	IP44	950	550	950	1455	2300	700	700	400	210	1545	1800	630	8-M24×400
	Y355L-4	315	380V	IP44	950	550	950	1455	2300	700	700	400	210	1545	1940	630	8-M24×400
	Y355-4	200-315	6kV	IP23	950	550	950	1355	2820	870	870	400	210	1790	2130	790	8-M24×400
	Y400-4	355-450	6kV	IP23	950	550	950	1400	2930	910	910	400	210	1920	2800	800	8-M24×400
350-510	Y450-4	220-450	10kV	IP23	950	550	950	1450	3060	950	950	400	210	2050	3180	820	8-M24×400
	Y355L-4	315	380V	IP44	950	550	950	1455	2300	700	700	400	210	1545	1940	630	8-M24×400
	Y355-4	315	6kV	IP23	950	550	950	1355	2820	870	870	400	210	1790	2130	790	8-M24×400
	Y400-4	355-560	6kV	IP23	950	550	950	1400	2930	910	910	400	210	1920	3010	800	8-M24×400
	Y450-4	630	6kV	IP23	950	550	950	1450	3060	950	950	400	210	2000	3160	820	8-M24×400
Y450-4	220-630	10kV	IP23	950	550	950	1450	3060	950	950	400	210	2050	3461	820	8-M24×400	

GTOS型泵特性曲线 GTOS Type pump performance curve chart

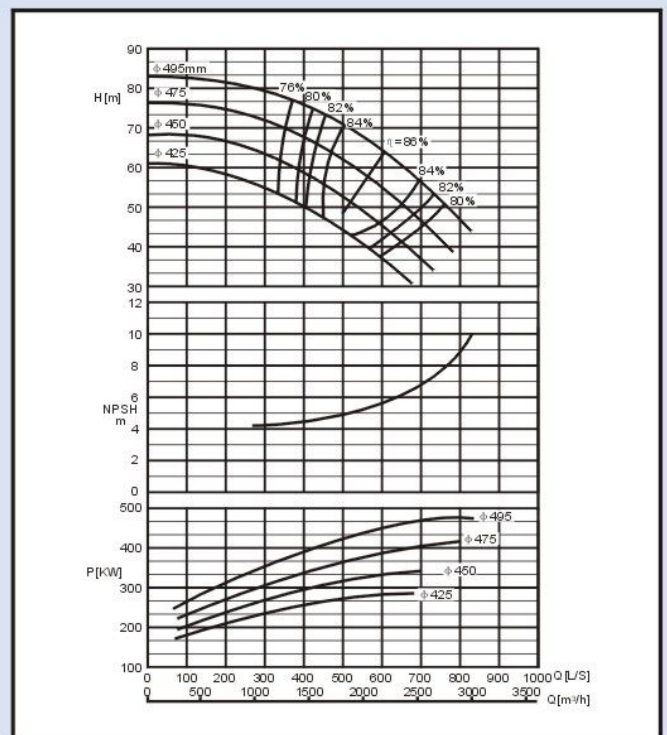
350-620(I) n=1450r/min



400-540 (I) n=1450r/min



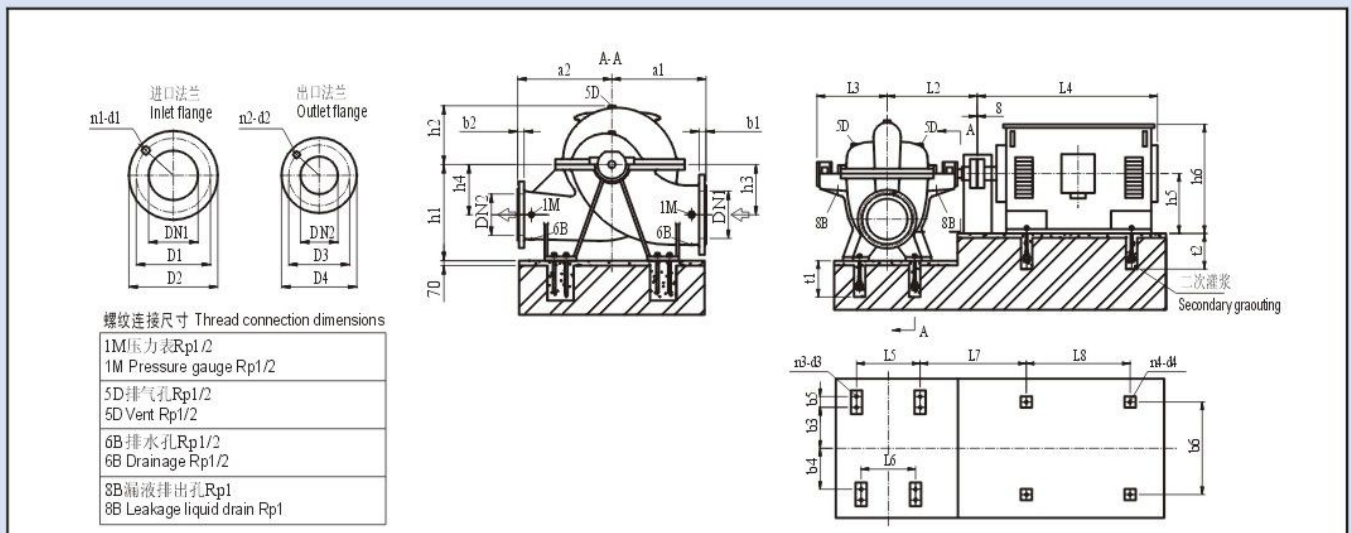
400-540 n=1450r/min



GTOS型泵性能参数表 Performance parameters of GTOS pump

泵型号 Type	流量 Capacity Q		扬程 Head m	转速 Speed r/min	轴功率 Shaft power kW	效率 Eff. η %	有效汽 蚀余量 (NPSH) _r m	电机功率 Motor power kW	叶轮参 考直径 D(mm)	泵型号 Type	流量 Capacity Q		扬程 Head m	转速 Speed r/min	轴功率 Shaft power kW	效率 Eff. η %	有效汽 蚀余量 (NPSH) _r m	电机功率 Motor power kW	叶轮参 考直径 D(mm)
	m ³ /h	l/s									m ³ /h	l/s							
GTOS 350-620(I)	A	1320	366.7	139	1450	657	78	7.0	1000	640	A	1570	436.1	1450	550	76.5	6.5	710	800
		2200	611.1	125		881	85					825	79		800				
		2640	733.3	111		985	81					950	70		900				
	B	1200	333.3	129	552	78	6.5	900	610	B	1440	400	1450	489	76	6.0	630	500	
		2100	583.3	118	743	85					866.7	72		553	79				
		2500	694.4	104	874	81					906.7	57		612	79				
	C	1130	313.9	118	478	76	5.8	800	580	C	1380	383.3	1450	381	75	5.8	560	480	
		1900	527.8	107	651	85					840.3	74		478	84				
		2350	652.8	93	721	82.5					900	50		517	79				
	D	1100	305.6	108	426	76	5.5	630	550	D	1330	369.4	1450	333	75	5.5	500	460	
		1830	508.3	94	566	84					613.9	57		420	83				
		2300	638.9	80	618	81					800	44		442	78				
D	1020	283.3	94	343	78	5.2	560	510	D	1120	313.3	1450	231	76	5.2	355	450		
	1700	472.2	83	457	84					694.4	37		321	83.5					
	2150	597.2	80	518	78					800	33		327	77					

GTOS卧式泵安装尺寸图及主要外型尺寸 Installing dimensions of GTOS pump and outline size

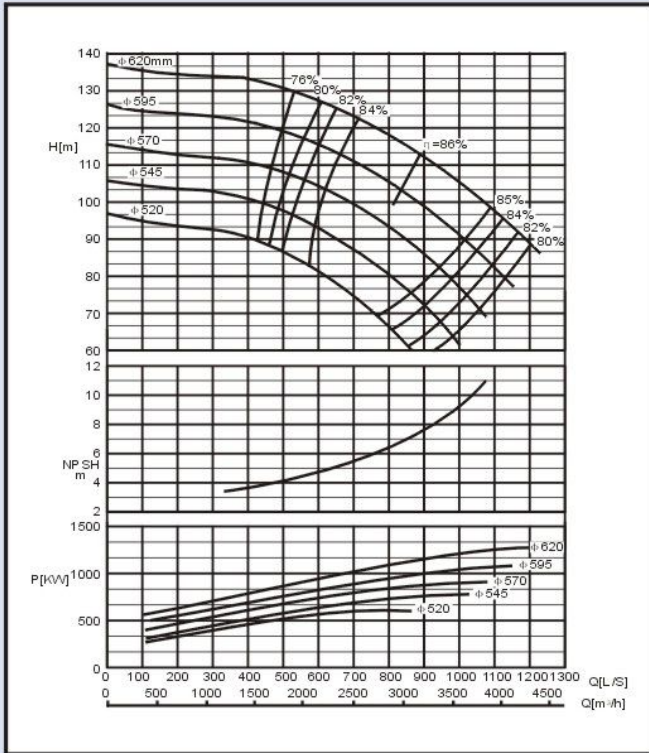


泵型号 pump type	法兰尺寸 Flange dimension												a1	a2	h1	h2	h3	h4	L2	L3	泵重量 Pump weight
	DN1	D1	D2	n1-d1	b1	PN	DN2	D3	D4	n2-d2	b2	PN									
350-620	450	585	640	20-φ31	40	1.6MPa	350	490	555	16-φ34	44	2.5MPa	750	650	820	600	447	447	970	850	1800
400-540	500	650	715	20-φ34	42	1.6MPa	400	525	580	16-φ31	38	1.6MPa	750	700	820	630	400	460	950	800	1920

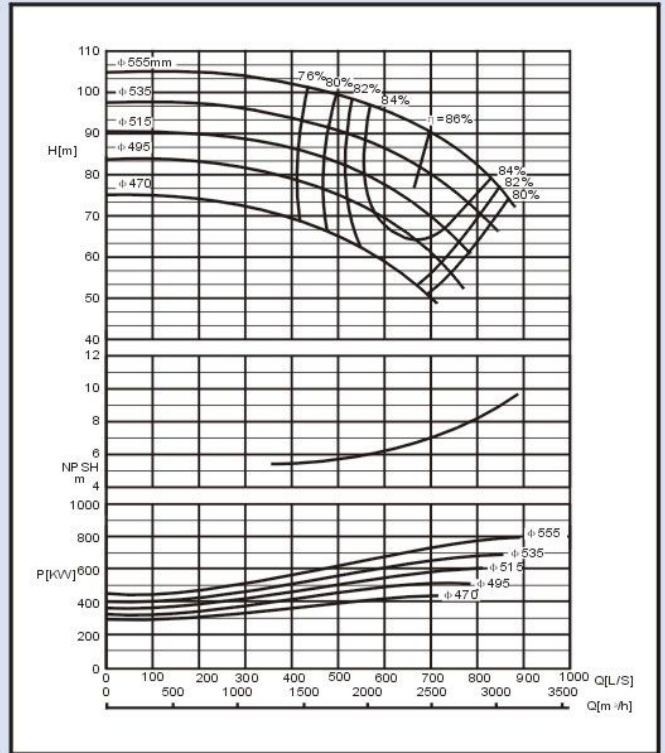
泵型号 Pump type	电机型号 Motor type	功率 Power	电压 Voltage	防护等级 Protection grade	L5	L6	b3	b4	b5	L4	L7	L8	b6	h5	h6	t1	t2	电机重量 M motor weight	电机地脚螺栓 Motor anchor bolt	泵地脚螺栓 Pump anchor bolt
350-620	Y400-4	560	6kV	IP23	970	720	490	390	-	1920	1038	1000	710	400	850	550	550	3010	4-M30×500	4-M30×500
	Y450-4	630-900	6kV	IP23	970	720	490	390	-	2000	1058	1120	800	450	950	550	550	3580	4-M30×500	4-M30×500
	Y500-4	1000	6kV	IP23	970	720	490	390	-	2200	1218	1250	900	500	1050	550	700	4400	4-M36×630	4-M30×500
	Y450-4	560-630	10kV	IP23	970	720	490	390	-	2050	1058	1120	800	450	950	550	550	3401	4-M30×500	4-M30×500
	Y500-4	710-1000	10kV	IP23	970	720	490	390	-	2200	1178	1250	900	500	1050	550	700	4850	4-M36×630	4-M30×500
400-540	Y315L-4	315	380V	IP44	700	700	500	450	-	1545	1032	630	610	315	860	550	450	1940	4-M24×400	4-M30×500
	Y355-4	315	6kV	IP23	700	700	500	450	-	1790	1132	900	630	355	760	550	450	2620	4-M24×400	4-M30×500
	Y400-4	355-560	6kV	IP23	700	700	500	450	-	1920	1153	1000	710	400	850	550	550	3010	4-M30×500	4-M30×500
	Y450-4	710-900	6kV	IP23	700	700	500	450	-	2000	1173	1120	800	450	950	550	550	3580	4-M30×500	4-M30×500
	Y450-4	315-630	10kV	IP23	700	700	500	450	-	2050	1173	1120	800	450	950	550	550	3461	4-M30×500	4-M30×500
Y500-4	710-900	10kV	IP23	700	700	500	450	-	2200	1293	1250	900	500	1050	550	700	4750	4-M36×630	4-M30×500	

GTOS型泵特性曲线 GTOS Type pump performance curve chart

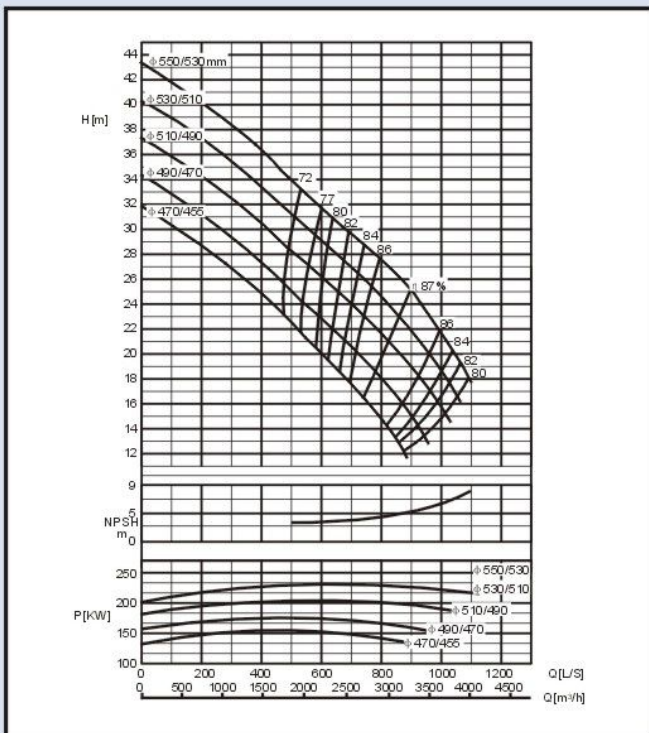
400-620 (I) n=1450r/min



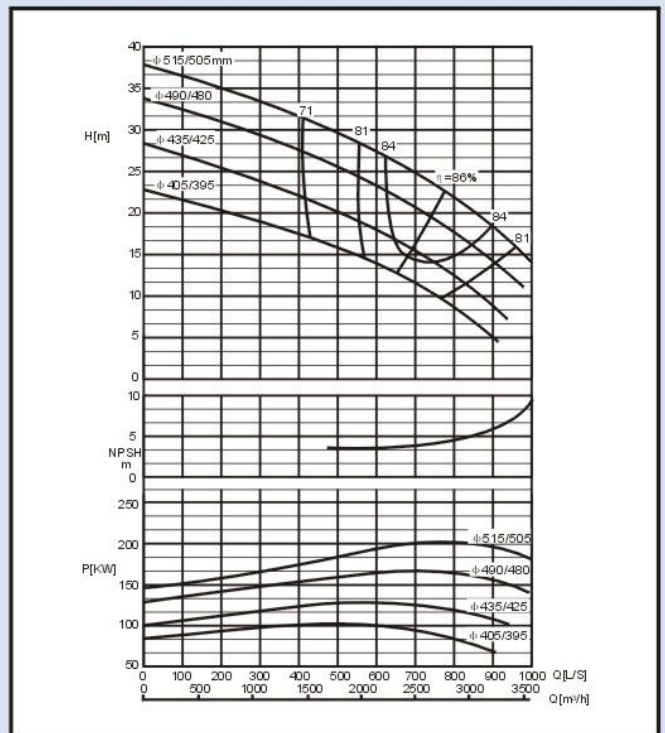
400-620 n=1450r/min



500-510 (I) n=960r/min



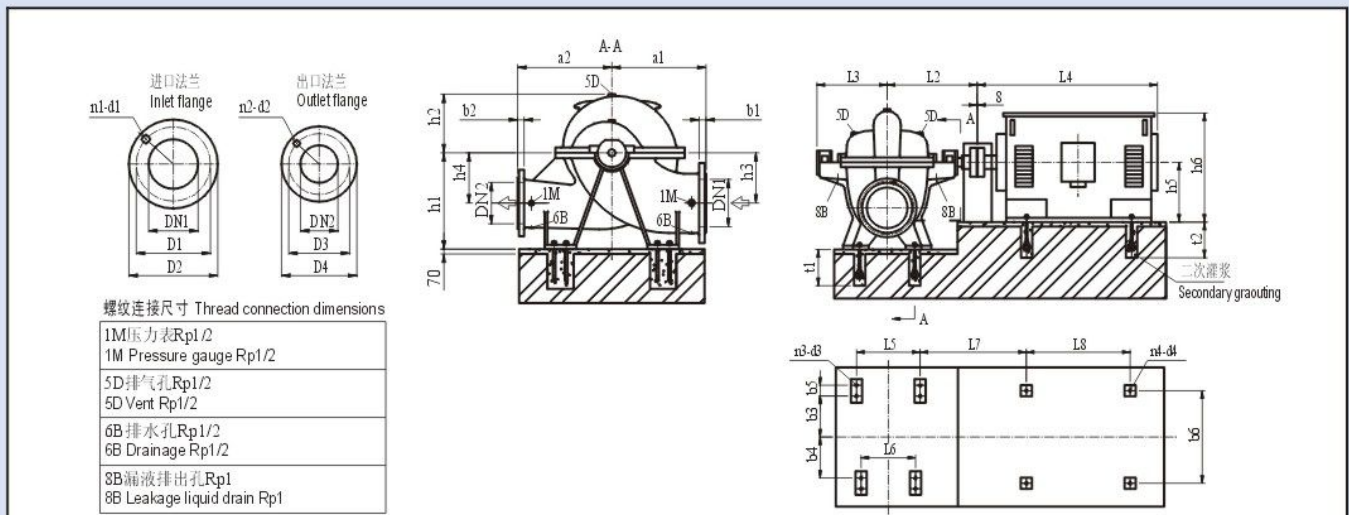
500-510 n=960r/min



GTOS型泵性能参数表 Performance parameters of GTOS pump

泵型号 Type	流量 Capacity Q		扬程 Head m	转速 Speed r/min	轴功率 Shaft power kW	效率 Eff. η %	有效汽蚀余量 (NPSH) _r m	电机功率 Motor power kW	叶轮参考直径 D(mm)	泵型号 Type	流量 Capacity Q		扬程 Head m	转速 Speed r/min	轴功率 Shaft power kW	效率 Eff. η %	有效汽蚀余量 (NPSH) _r m	电机功率 Motor power kW	叶轮参考直径 D(mm)				
	m ³ /h	l/s									m ³ /h	l/s											
GTOS 400-620(I)	A	1890	525	129.5	1450	877	76	7.5	1250	620	A	1945	540	33	960	239	73	5.5	280	530			
		3150	875	113		1127	86		3240			900	25	253		87	3925		1090		18	241	80
		4100	1139	93		1250	83		787			85.8	1120	595		1855	515		31		217	72	250
	B	1740	483	109	879	76	1785	495	28.5	192	72	1785	495	28.5	192	72	4.0	220	490				
		2895	804	92	847	85.6	3095	860	23	223	87	3850	1014	14.3	180	79	4.0	200	470				
		3760	1044	87	1090	84	1880	468.7	23.2	147	72	2900	778	18.5	162	87	4.0	160	445				
	C	1650	458	99	877	77	1600	444.4	24	149	70	1600	444.4	24	149	70	3.6	160	445				
		2760	767	83	777	85.5	2670	742	16.5	139	86	3420	950	13	155	78	4.0	132	395				
		3550	985	84	777	80	1465	407	31.3	176	71	1465	407	31.3	176	71	4.8	220	505				
	D	1980	439	99	491	78	1485	407	31.3	176	71	2775	771	22.5	197	86	4.0	200	480				
		3030	731	72	803	85.5	3430	953	12	163	86	1505	418	21.8	126	71	4.0	160	425				
		3930	1080	61.5	825	82	1505	418	21.8	126	71	2450	681	15.8	123	85.5	4.0	132	395				
GTOS 400-620	A	1800	417	101.5	1450	545	76	6.8	800	555	A	1465	407	27.5	960	155	71	4.0	200	480			
		2485	690	90		485	85.4		3430			953	12	163		86							
		3150	875	72		696	88		1505			418	21.8	126		71							
B	1440	400	84	409	75.8	1465	407	27.5	155	71	1505	418	21.8	126	71	4.0	160	425					
	2310	642	74.5	547	85.7	2450	681	15.8	123	85.5	1505	418	21.8	126	71	4.0	160	425					
	2845	790	80	596	78	1385	379	17.5	94.2	69	1385	379	17.5	94.2	69	4.0	132	395					
C	1350	389	67.8	385	75	1385	379	17.5	94.2	69	1385	379	17.5	94.2	69	4.0	132	395					
	2700	750	54	490	80	2320	633	13.2	87.5	83.9	2320	633	13.2	87.5	83.9	4.0	132	395					
	3500	965	49.9	515	77	2320	633	13.2	87.5	83.9	2320	633	13.2	87.5	83.9	4.0	132	395					
D	1265	351	70.5	328	74	1385	379	17.5	94.2	69	1385	379	17.5	94.2	69	4.0	132	395					
	2110	588	60	405	85	2320	633	13.2	87.5	83.9	2320	633	13.2	87.5	83.9	4.0	132	395					
	2820	700	49.9	444	77	2320	633	13.2	87.5	83.9	2320	633	13.2	87.5	83.9	4.0	132	395					

GTOS卧式泵安装尺寸图及主要外型尺寸 Installing dimensions of GTOS pump and outline size

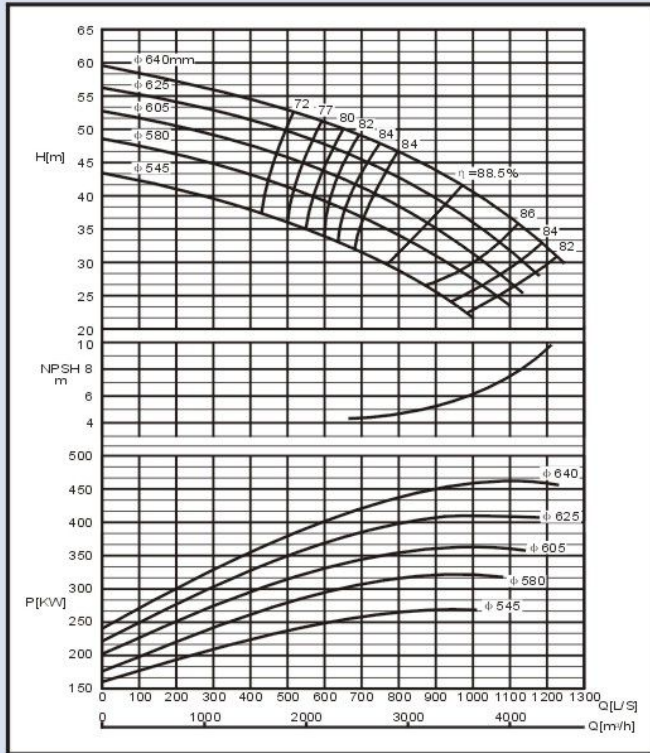


泵型号 Pump type	法兰尺寸 Flange dimension												a1	a2	h1	h2	h3	h4	L2	L3	泵重量 Pump weight
	DN1	D1	D2	n1-d1	b1	PN	DN2	D3	D4	n2-d2	b2	PN									
400-620	500	650	715	20-φ34	42	1.6MPa	400	525	580	16-φ31	38	1.6MPa	800	700	900	680	490	490	980	770	2520
500-510	600	725	780	20-φ31	36	1.0MPa	500	620	670	20-φ28	34	1.0MPa	850	750	900	560	475	475	980	740	1850

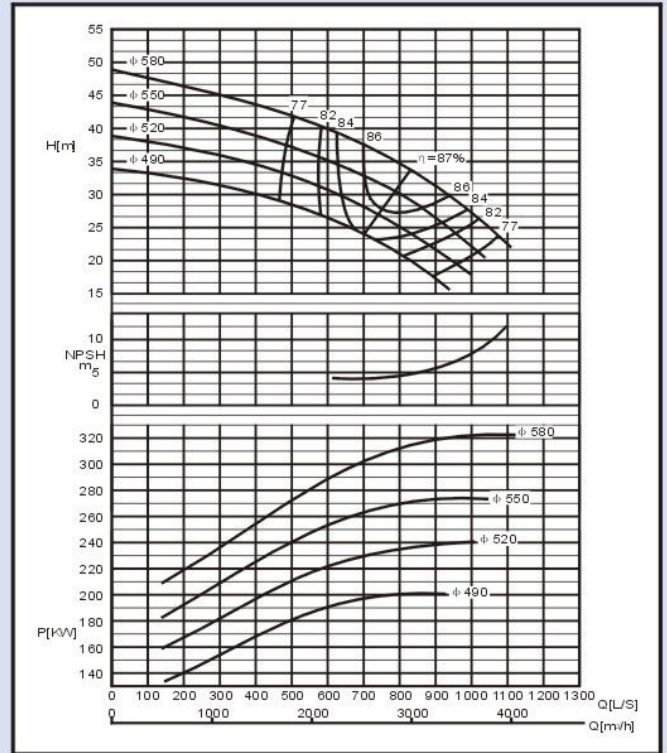
泵型号 Pump type	电机型号 Motor type	功率 Power	电压 Voltage	防护等级 Protection grade	L5	L6	b3	b4	b5	L4	L7	L8	b6	h5	h6	t1	t2	电机重量 Motor weight	电机地脚螺栓 Motor anchor bolt	泵地脚螺栓 Pump anchor bolt
400-620	Y400-4	500-560	6kV	IP23	800	700	450	400	-	1920	1133	1000	710	400	850	550	550	3010	4-M30×500	4-M30×500
	Y450-4	630-900	6kV	IP23	800	700	450	400	-	2000	1153	1120	800	450	950	550	550	3580	4-M30×500	4-M30×500
	Y500-4	1000-1400	6kV	IP23	800	700	450	400	-	2200	1313	1250	900	500	1050	550	700	4800	4-M36×630	4-M30×500
	Y450-4	500-630	10kV	IP23	800	700	450	400	-	2050	1153	1120	800	450	950	550	550	3461	4-M30×500	4-M30×500
	Y500-4	710-1120	10kV	IP23	800	700	450	400	-	2200	1273	1250	900	500	1050	550	700	5150	4-M36×630	4-M30×500
	Y560-4	1250-1400	10kV	IP23	800	700	450	400	-	2400	1338	1400	1000	560	1760	550	700	6720	4-M36×630	4-M30×500
500-510	Y315L-6	132	380V	IP44	850	700	500	400	-	1315	949	508	508	315	750	550	450	1240	4-M24×400	4-M30×500
	Y355M-6	160-200	380V	IP44	850	700	500	400	-	1545	987	560	610	355	860	550	450	1750	4-M24×400	4-M30×500
	Y355L-6	250	380V	IP44	850	700	500	400	-	1545	987	630	610	355	860	550	450	1990	4-M24×400	4-M30×500
	Y355-6	185-250	6kV	IP23	850	700	500	400	-	1790	1088	900	630	355	760	550	450	2170	4-M24×400	4-M30×500
	Y400-6	280	6kV	IP23	850	700	500	400	-	1920	1108	1000	710	400	850	550	550	2590	4-M30×500	4-M30×500
	Y450-6	220-280	10kV	IP23	850	700	500	400	-	2050	1128	1120	800	450	950	550	550	2710	4-M36×630	4-M30×500

GTOS型泵特性曲线 GTOS Type pump performance curve chart

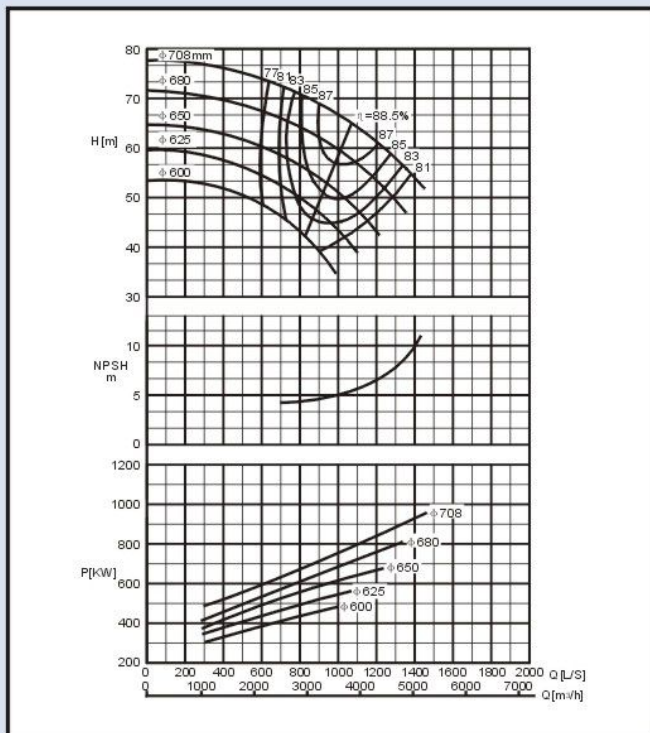
500-640 (I) n=960r/min



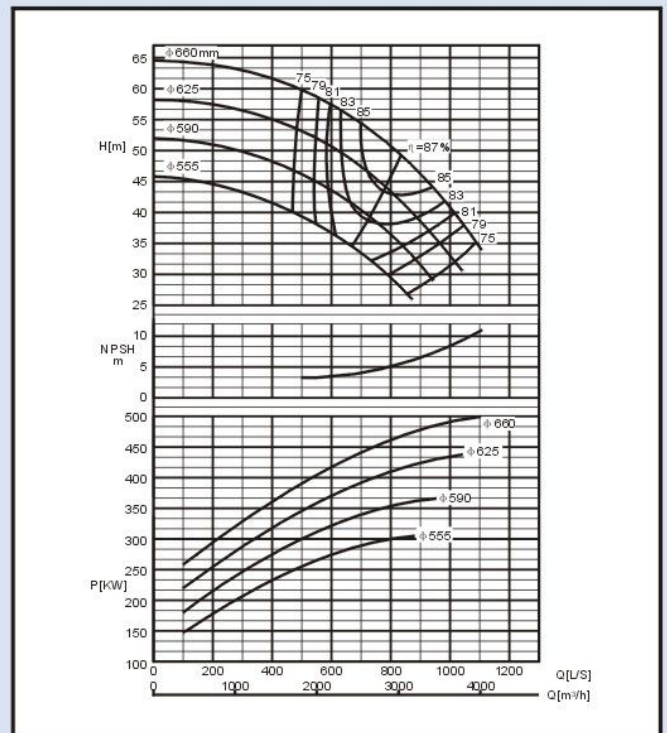
500-640 n=960r/min



500-700 (I) n=960r/min



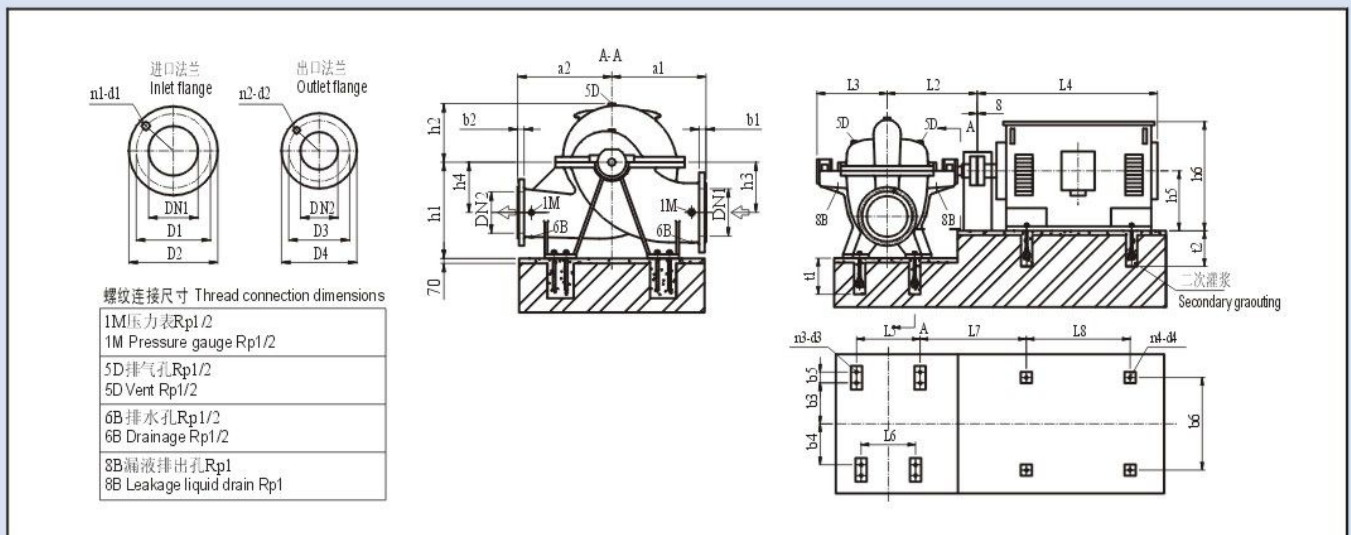
500-700 n=960r/min



GTOS型泵性能参数表 Performance parameters of GTOS pump

泵型号 Type	流量 Capacity Q		扬程 Head m	转速 Speed r/min	轴功率 Shaft power kW	效率 Eff. η %	有效汽 蚀余量 (NPSH) r m	电机功率 Motor power kW	叶轮参 考直径 D(mm)	泵型号 Type	流量 Capacity Q		扬程 Head m	转速 Speed r/min	轴功率 Shaft power kW	效率 Eff. η %	有效汽 蚀余量 (NPSH) r m	电机功率 Motor power kW	叶轮参 考直径 D(mm)	
	m ³ /h	l/s									m ³ /h	l/s								
GTOS 500-640(I)	A	1875	521	52.5	372	72	6.0	500	640	GTOS 500-700(I)	A	2270	631	73	596	77	6.0	900	708	
		3528	980	41.6	450	88.5						770	80.5							
		4500	1250	30	454	81						926	80							
	B	1800	500	50	340	72	5.0	450	625		B	B	2200	611	67.5	525	77	5.2	800	680
		3344	928	38.7	400	89							575	80						
		4210	1169	28.5	398	82							789	80						
	C	1710	475	46.5	301	72	5.0	400	605		C	C	2050	589	61	448	76	4.5	560	625
		3170	881	36	353	88							567	87						
		4030	1119	26.5	359	81							645	78						
	D	1620	450	42.5	280	72	4.5	355	580		D	D	1920	533	55.7	388	79	4.5	500	600
		3020	839	32.1	312	87.5							479	80						
		3830	1064	25	318	82							546	77						
GTOS 500-640	A	1800	500	42	287	77	5.0	355	580	GTOS 500-700	A	1900	500	60	392	75	6.0	560	660	
		2990	831	34	318	87						451	87							
		3885	1079	23	316	77						496	75							
	B	1700	472	38	231	76	4.5	315	550		B	B	1680	487	53	331	74	5.0	450	625
		2635	738	30.2	257	99							426	80						
		3685	1024	21	257	78							426	79						
	C	1640	458	33.8	201	75	4.3	280	520		C	C	1600	444	47.5	284	73	4.3	400	590
		2730	758	27.8	240	86							333	86						
		3510	975	18.5	236	75							361	74						
	D	1545	429	24	167	74.5	4.0	250	490		D	D	1450	408	41.4	260	72	4.0	355	555
		2990	831	34	198	86							305	80						
		3260	911	18	216	74.5							305	74						

GTOS卧式泵安装尺寸图及主要外型尺寸 Installing dimensions of GTOS pump and outline size



螺纹连接尺寸 Thread connection dimensions

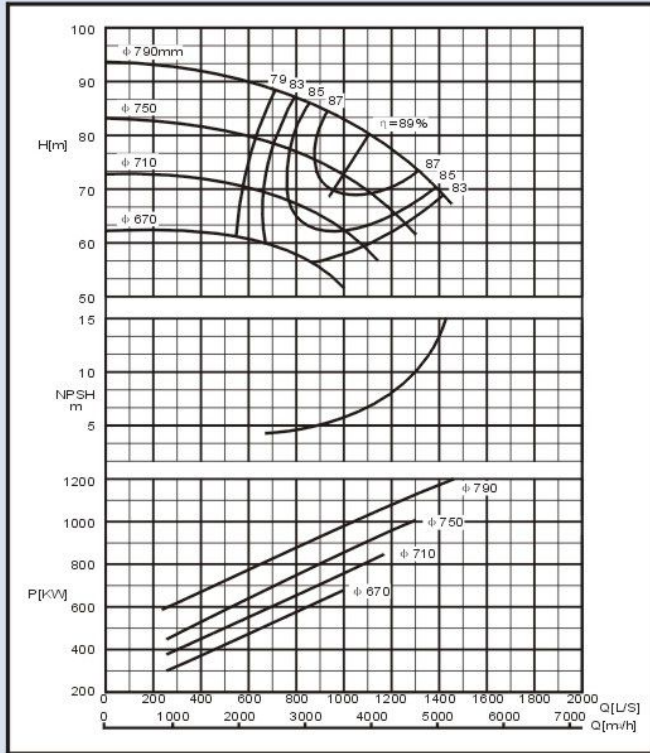
1M 压力表 Rp1/2	1M Pressure gauge Rp1/2
5D 排气孔 Rp1/2	5D Vent Rp1/2
6B 排水孔 Rp1/2	6B Drainage Rp1/2
8B 漏液排出孔 Rp1	8B Leakage liquid drain Rp1

泵型号 Pump type	法兰尺寸 Flange dimension											a1	a2	h1	h2	h3	h4	L2	L3	泵重量 Pump weight	
	DN1	D1	D2	n1-d1	b1	PN	DN2	D3	D4	n2-d2	b2										PN
500-640	600	725	780	20-φ31	36	1.0MPa	500	620	670	20-φ28	34	1.0MPa	950	800	980	600	495	495	870	700	2800
500-700	600	770	840	20-φ37	48	1.6MPa	500	650	715	20-φ34	42	1.6MPa	1050	850	1000	620	550	580	1080	840	3550

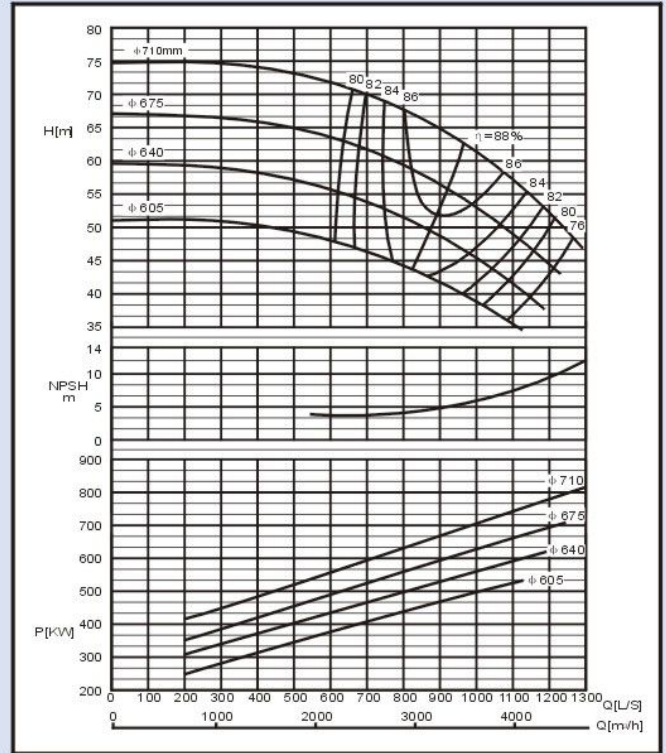
泵型号 Pump type	电机型号 Motor type	功率 Power	电压 Voltage	防护等级 Protection grade	L5	L6	b3	b4	b5	L4	L7	L8	b6	h5	h6	t1	t2	电机重量 Motor weight	电机地脚螺栓 Motor anchor bolt	泵地脚螺栓 Pump anchor bolt
500-640	Y355L-6	250	380V	IP44	850	850	450	450	-	1545	877	630	610	355	860	550	450	1990	4-M24×400	4-M30×500
	Y355-6	250	6kV	IP23	850	850	450	450	-	1790	978	900	630	355	760	550	450	2170	4-M24×400	4-M30×500
	Y400-6	280-400	6kV	IP23	850	850	450	450	-	1920	998	1000	710	400	850	550	550	2980	4-M30×500	4-M30×500
	Y450-6	450-500	6kV	IP23	850	850	450	450	-	2040	1058	1120	800	450	950	550	550	3240	4-M30×500	4-M30×500
	Y450-6	250-450	10kV	IP23	850	850	450	450	-	2050	1018	1120	800	450	950	550	550	3370	4-M30×500	4-M30×500
500-700	Y500-6	500	10kV	IP23	850	850	450	450	-	2200	1138	1250	900	500	1050	550	700	4450	4-M36×630	4-M30×500
500-700	Y400-6	355-400	6kV	IP23	850	700	500	450	120	1920	1208	1000	710	400	850	550	550	2980	4-M30×500	8-M30×500
	Y450-6	450-630	6kV	IP23	850	700	500	450	120	2040	1268	1120	800	450	950	550	550	3490	4-M30×500	8-M30×500
	Y500-6	710-1000	6kV	IP23	850	700	500	450	120	2200	1388	1250	900	500	1050	550	700	4700	4-M36×630	8-M30×500
	Y450-6	355-450	10kV	IP23	850	700	500	450	120	2050	1228	1120	800	450	950	550	550	3295	4-M30×500	8-M30×500
	Y500-6	500-800	10kV	IP23	850	700	500	450	120	2200	1388	1250	900	500	1050	550	700	5050	4-M36×630	8-M30×500
500-700	Y560-6	900-1000	10kV	IP23	850	700	500	450	120	2450	1463	1400	1000	560	1180	550	700	6415	4-M36×630	8-M30×500

GTOS型泵特性曲线 GTOS Type pump performance curve chart

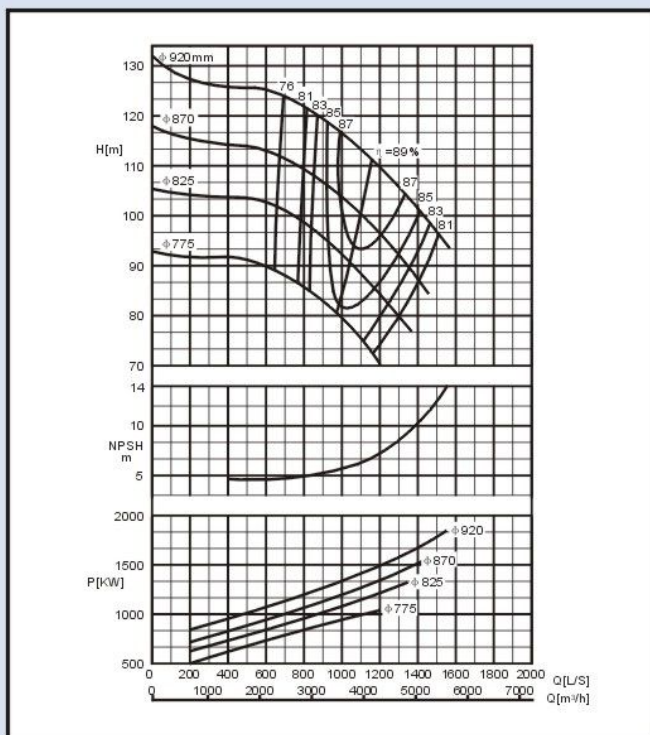
500-790 (I) n=960r/min



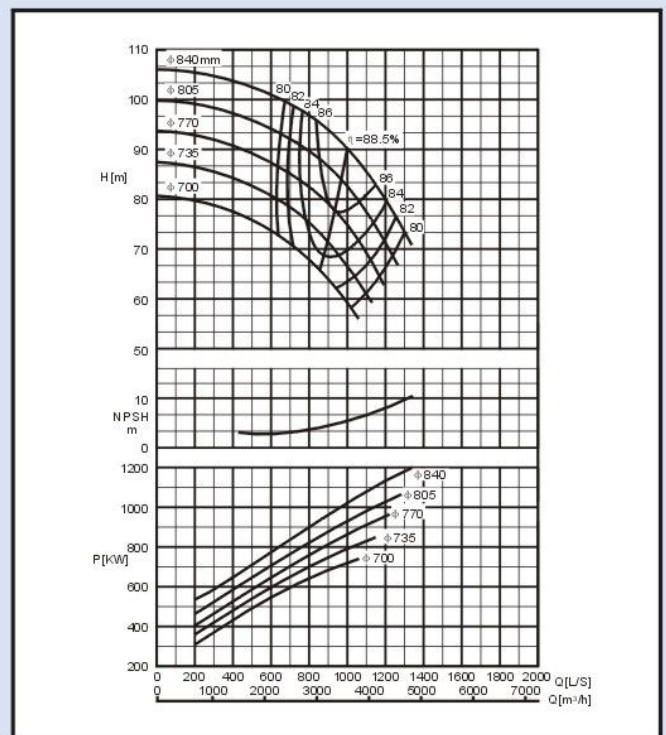
500-790 n=960r/min



500-890 (I) n=960r/min



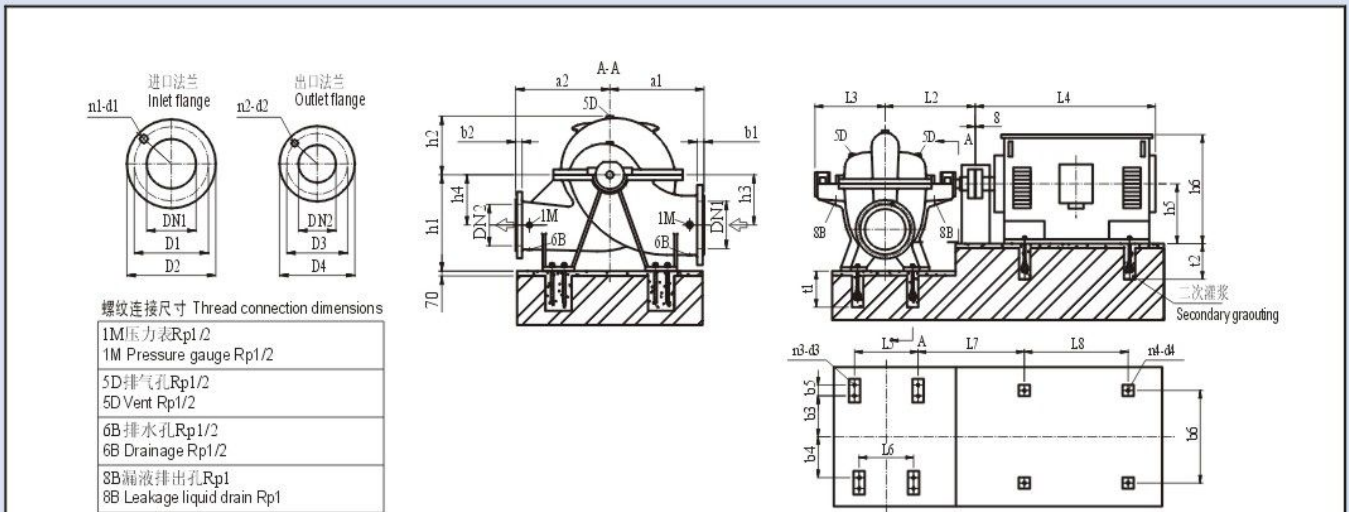
500-890 n=960r/min



GTOS型泵性能参数表 Performance parameters of GTOS pump

泵型号 Type	流量 Capacity Q		扬程 Head m	转速 Speed r/min	轴功率 Shaft power kW	效率 Eff. η %	有效汽 蚀余量 (NPSH) _r m	电机功率 Motor power kW	叶轮参 考直径 D(mm)	泵型号 Type	流量 Capacity Q		扬程 Head m	转速 Speed r/min	轴功率 Shaft power kW	效率 Eff. η %	有效汽 蚀余量 (NPSH) _r m	电机功率 Motor power kW	叶轮参 考直径 D(mm)	
	m ³ /h	l/s									m ³ /h	l/s								
GTOS 500-790(I)	A	2580	717	88.5	787	79	7.1	1120	790	GTOS 500-890(I)	A	2520	700	124	1119	76	7.0	1600	920	
		3960	1100	80	969	89		1449				89	1800							
		5150	1431	68	1163	82		1787				80	1800							
	B	2160	600	90	603	78	6.0	900	750		B	B	2400	667	112	963	76	6.0	1400	870
		3800	1000	72.8	811	88		1531					80	1600						
		4880	1300	62	975	81		1800					88	1600						
	C	1930	536	71	484	77	5.0	800	710		C	C	2270	631	102.5	845	75	6.0	1250	825
		3220	894	65.5	660	87		1325					87	1400						
		4100	1139	57	795	80		1531					78	1400						
GTOS 500-790	A	1710	475	62	380	76	4.5	630	670	GTOS 500-890	A	2150	597	90	712	74	5.5	1120	775	
		2350	732	58	523	86		1077				77	1250							
		3600	1000	51.8	643	79		1200				70.5	1250							
	B	2375	660	70.8	572	80	5.8	800	710		B	B	2180	600	101	761	78	5.9	1120	840
		3492	970	62.5	675	88		1000					90	1250						
		4550	1264	48	793	75		1163					80	1250						
	C	2000	556	64	447	78	5.0	710	675		C	C	2100	583	94.7	703	77	5.0	1000	805
		3330	925	56	584	87		900					88	1120						
		4350	1208	44	695	75		1256					79	1120						
GTOS 500-790	A	1900	528	57	383	77	4.5	560	640	GTOS 500-890	A	2010	568	88	834	76	4.5	900	770	
		3150	875	50	499	86		779				78	1000							
		4150	1153	39.3	600	74		1192				63	1000							
	B	1780	494	49	312	76	4.0	500	605		B	B	1920	533	82	571	75	4.2	800	735
		2970	825	43.6	415	85		1117					60	900						
		3900	1083	36	516	74		1256					56	900						

GTOS卧式泵安装尺寸图及主要外型尺寸 Installing dimensions of GTOS pump and outline size

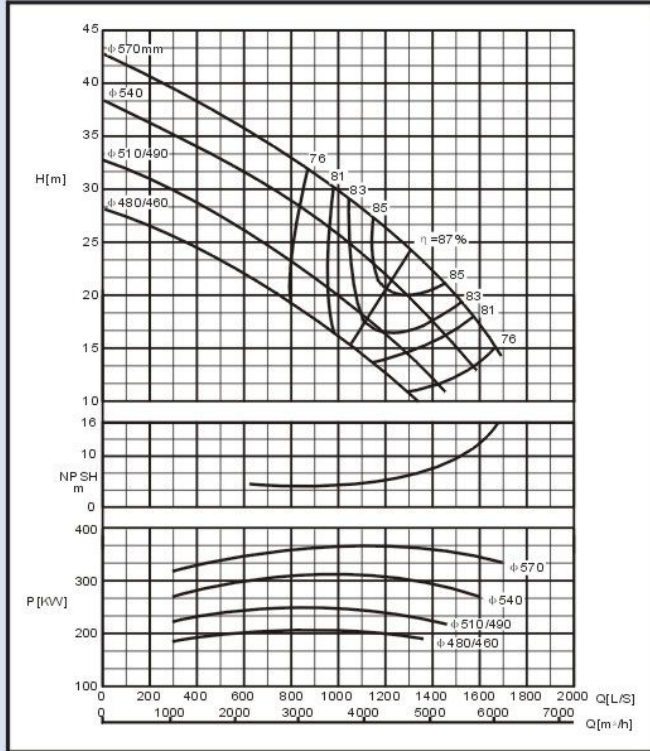


泵型号 pump type	法兰尺寸 Flange dimension											a1	a2	h1	h2	h3	h4	L2	L3	泵重量 Pump weight	
	DN1	D1	D2	n1-d1	b1	PN	DN2	D3	D4	n2-d2	b2										PN
500-790	600	770	840	20-φ37	48	1.6MPa	500	650	715	20-φ34	42	1.6MPa	1000	900	1050	660	600	600	1130	860	4200
500-890	600	770	840	20-φ37	48	1.6MPa	500	650	715	20-φ34	42	1.6MPa	1050	950	1100	710	650	650	1150	880	4600

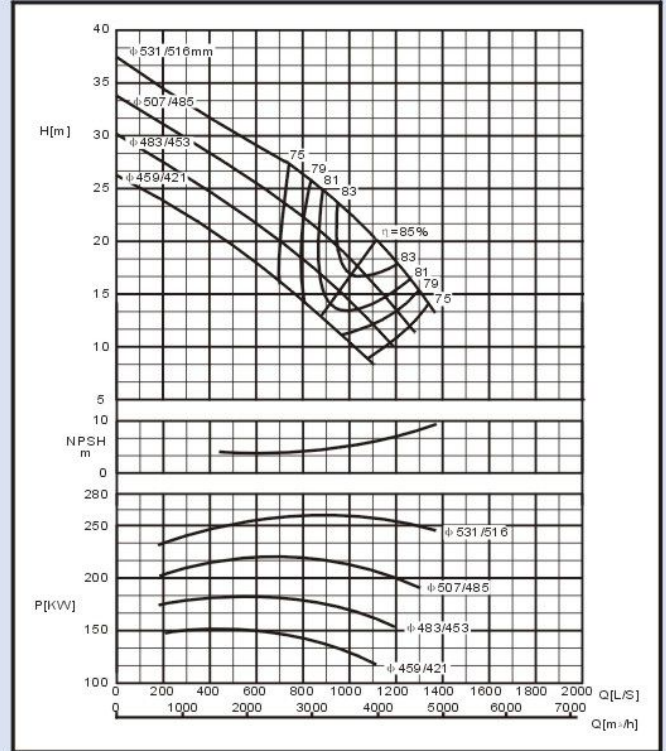
泵型号 Pump type	电机型号 Motor type	功率 Power	电压 Voltage	防护等级 Protection grade	L5	L6	b3	b4	b5	L4	L7	L8	b6	h5	h6	t1	t2	电机重量 M motor weight	电机地脚螺栓 Motor anchor bolt	泵地脚螺栓 Pump anchor bolt
500-790	Y450-6	500-630	6kV	IP23	850	700	500	450	120	2040	1318	1120	800	450	950	550	550	3490	4-M30×500	8-M30×500
	Y500-6	710-1000	6kV	IP23	850	700	500	450	120	2200	1438	1250	900	500	1050	550	700	4700	4-M36×630	8-M30×500
	Y560-6	1120-1250	6kV	IP23	850	700	500	450	120	2400	1513	1400	1000	560	1180	550	700	6415	4-M36×630	8-M30×500
	Y500-6	500-800	10kV	IP23	850	700	500	450	120	2200	1438	1250	900	450	1050	550	700	5050	4-M36×630	8-M30×500
	Y560-6	900-1250	10kV	IP23	850	700	500	450	120	2450	1513	1400	1000	500	1180	550	700	6920	4-M36×630	8-M30×500
500-890	Y500-6	800-1000	6kV	IP23	900	700	500	450	150	2200	1433	1250	900	500	1050	550	700	4700	4-M36×630	8-M30×500
	Y560-6	1120-1400	6kV	IP23	900	700	500	450	150	2400	1508	1400	1000	560	1180	550	700	6670	4-M36×630	8-M30×500
	Y630-6	1600-1800	6kV	IP23	900	700	500	450	150	2800	1538	1600	1120	630	1920	550	850	9720	4-M42×800	8-M30×500
	Y500-6	800	10kV	IP23	900	700	500	450	150	2200	1433	1250	900	500	1050	550	700	5050	4-M36×630	8-M30×500
	Y560-6	900-1250	10kV	IP23	900	700	500	450	150	2450	1508	1400	1000	560	1180	550	700	6920	4-M36×630	8-M30×500
Y630-6	1400-1800	10kV	IP23	900	700	500	450	150	2800	1538	1600	1120	630	1920	550	850	10500	4-M42×800	8-M30×500	

GTOS型泵特性曲线 GTOS Type pump performance curve chart

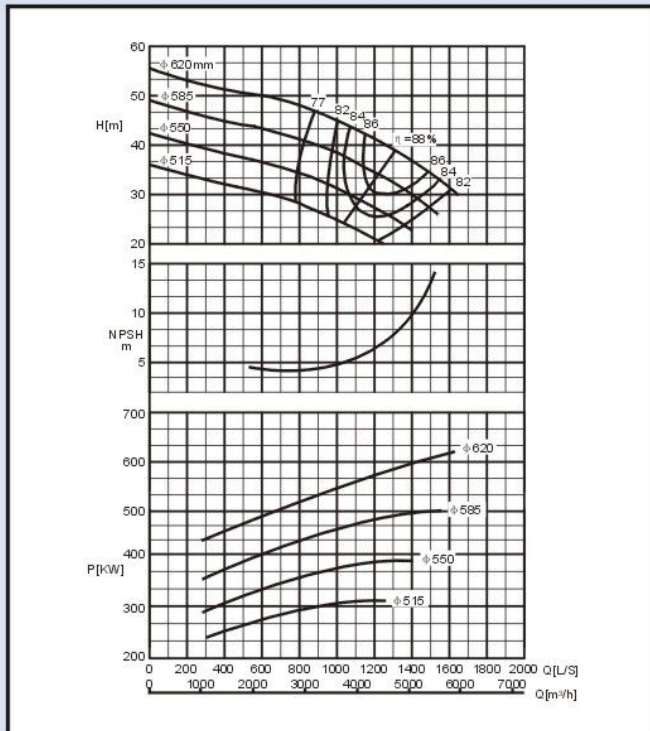
600-540 (I) n=960r/min



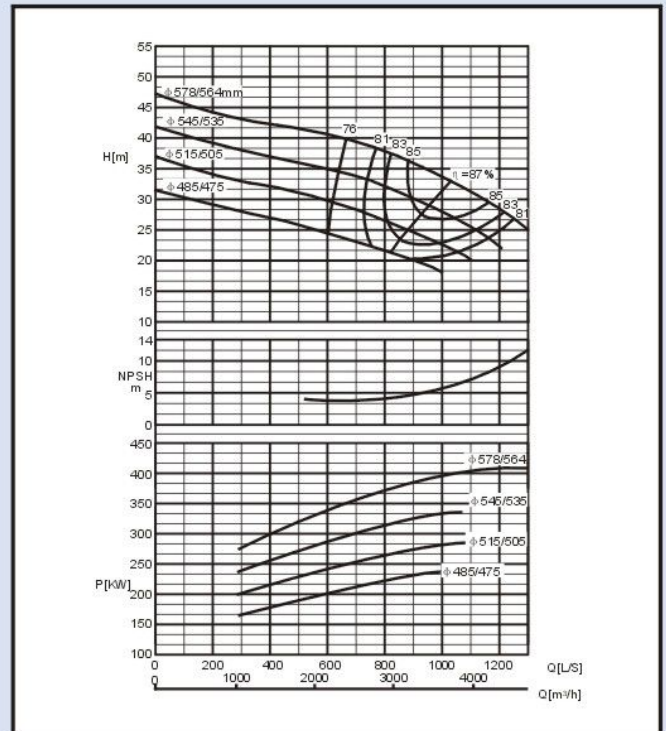
600-540 n=960r/min



600-620 (I) n=960r/min



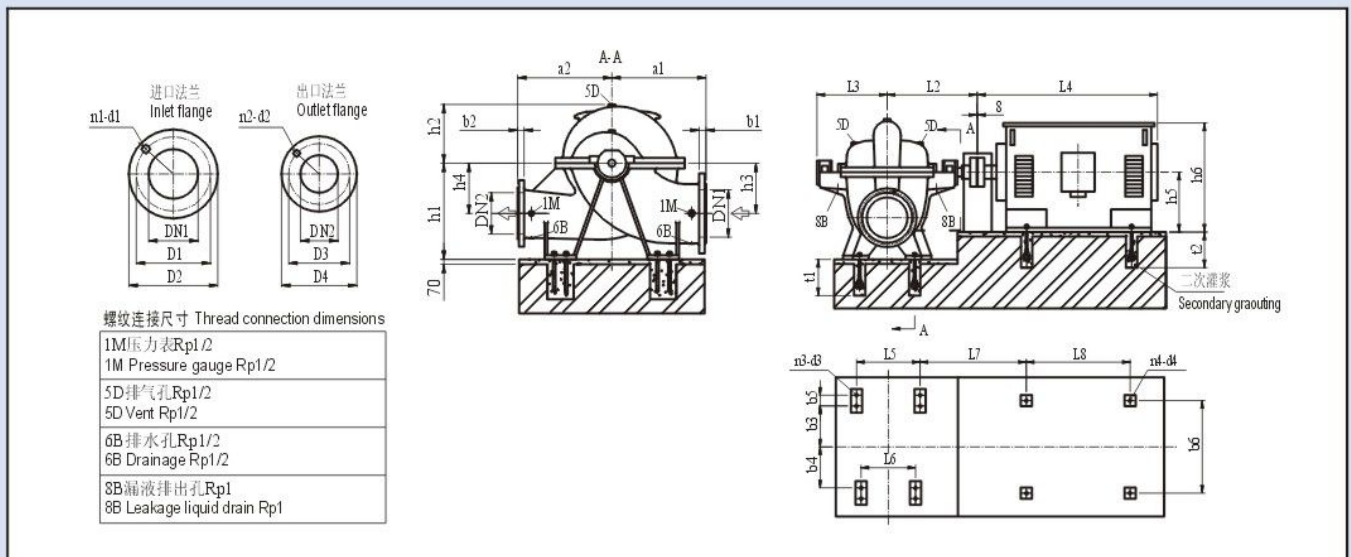
600-620 n=960r/min



GTOS型泵性能参数表 Performance parameters of GTOS pump

泵型号 Type	流量 Capacity Q		扬程 Head m	转速 Speed r/min	轴功率 Shaft power kW	效率 Eff. η %	有效汽 蚀余量 (NPSH) _r m	电机功率 Motor power kW	叶轮参 考直径 D(mm)	泵型号 Type	流量 Capacity Q		扬程 Head m	转速 Speed r/min	轴功率 Shaft power kW	效率 Eff. η %	有效汽 蚀余量 (NPSH) _r m	电机功率 Motor power kW	叶轮参 考直径 D(mm)
	m/h	l/s									m/h	l/s							
GTOS 600-540(I)	A	2810	781	33.3	344	74	5.9	400	570	GTOS 600-620(I)	A	2830	786	48	493	75	7.8	630	620
		4880	1300	24.2	354	87						569	81						
		6080	1689	14.3	316	75						599	81						
	B	2660	739	33.7	334	73	5.0	355	540		B	A	2650	736	42	404	75		
		4430	1231	21.5	302	86							470	80					
		5690	1581	13	272	74							494	80					
	C	2430	675	25	230	72	4.5	250	510		C	B	2450	681	36	324	74		
		4040	1122	17.8	230	85							375	86					
		5220	1450	11	214	73							398	80					
GTOS 600-540	A	2370	658	28.3	250	73	6.0	315	531	GTOS 600-620	A	2250	625	30	262	73			
		3960	1100	20.3	257	85						298	85						
		4900	1361	13.3	240	74						310	79						
	B	2250	625	28.8	245	72	5.8	250	507		B	A	2060	572	35	265	74		
		3750	1042	18	219	84							316	86					
		4600	1278	11.5	197	73							334	79					
	C	2070	575	22.3	177	71	5.0	200	483		C	B	1900	528	30	213	73		
		3450	958	15.5	175	83							264	85					
		4250	1181	10	158	73							278	78					
A	1890	525	19.3	142	70	4.0	160	459	A	C	1770	492	26	174	72				
	3150	875	13	136	82						206	84							
	4000	1111	8.5	128	72						229	77							

GTOS卧式泵安装尺寸图及主要外型尺寸 Installing dimensions of GTOS pump and outline size

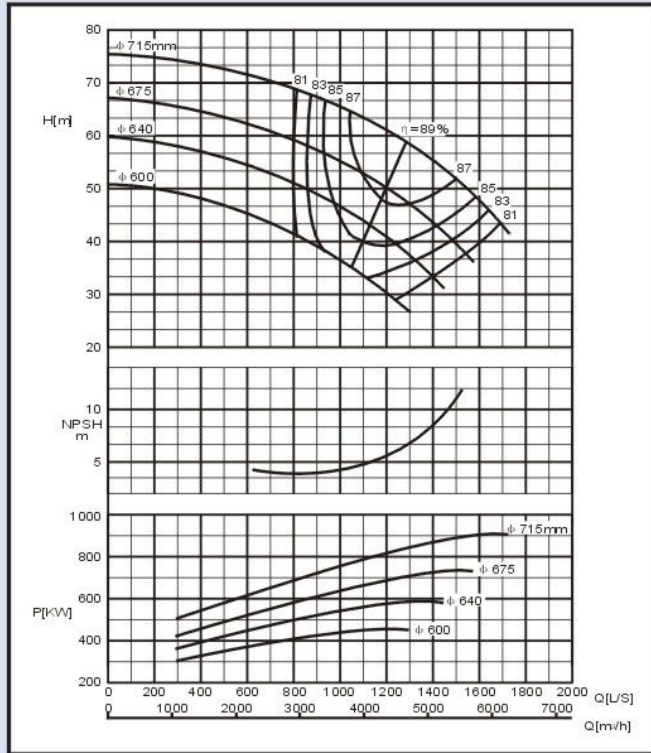


泵型号 pump type	法兰尺寸 Flange dimension											a1	a2	h1	h2	h3	h4	L2	L3	泵重量 Pump weight	
	DN1	D1	D2	n1-d1	b1	PN	DN2	D3	D4	n2-d2	b2										PN
600-540	700	840	895	24-φ31	40	1.0MPa	600	725	780	20-φ31	36	1.0MPa	1000	900	1100	750	610	610	1060	780	3300
600-620	700	840	910	24-φ37	54	1.6MPa	600	770	840	20-φ37	48	1.6MPa	1000	1000	1050	650	545	545	1060	820	3600

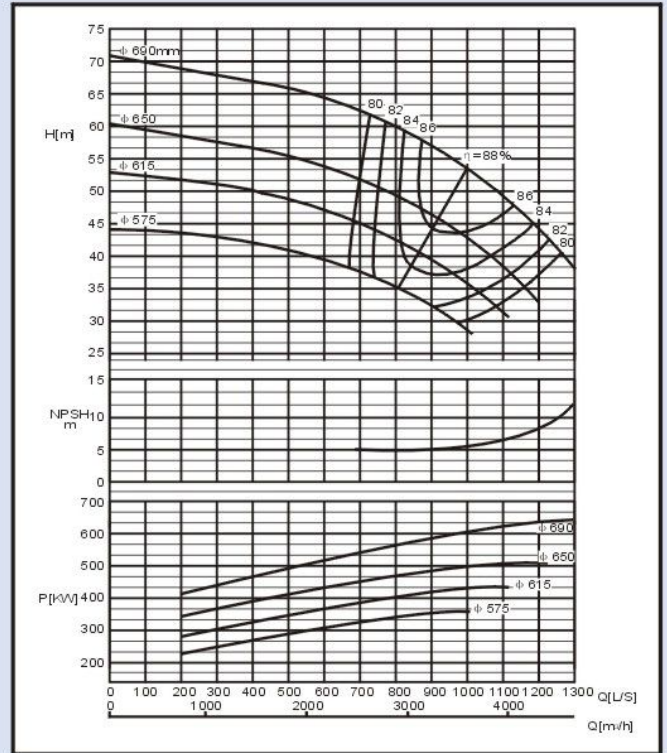
泵型号 Pump type	电机型号 Motor type	功率 Power	电压 Voltage	防护等级 Protection grade	L5	L6	b3	b4	b5	L4	L7	L8	b6	h5	h6	t1	t2	电机重量 Motor weight	电机地脚螺栓 Motor anchor bolt	泵地脚螺栓 Pump anchor bolt
600-540	Y355M-6	180-200	380V	IP44	900	700	500	450	100	1545	1050	560	610	355	860	450	450	1750	4-M24×400	8-M24×400
	Y355L-6	250	380V	IP44	900	700	500	450	100	1545	1050	630	610	355	860	450	450	1990	4-M24×400	8-M24×400
	Y355-6	185-250	6kV	IP23	900	700	500	450	100	1790	1143	900	630	355	760	450	450	2170	4-M24×400	8-M24×400
	Y400-6	280-400	6kV	IP23	900	700	500	450	100	1920	1163	1000	710	400	850	450	550	2980	4-M30×500	8-M24×400
	Y450-6	220-400	10kV	IP23	900	700	500	450	100	2050	1183	1120	800	450	950	450	550	3295	4-M30×500	8-M24×400
600-620	Y355L-6	250	380V	IP44	850	550	575	575	150	1545	1075	630	610	355	860	550	450	1990	4-M24×400	8-M30×500
	Y355-6	250	6kV	IP23	850	550	575	575	150	1790	1168	900	630	355	760	550	450	2170	4-M24×400	8-M30×500
	Y400-6	280-400	6kV	IP23	850	550	575	575	150	1920	1188	1000	710	400	850	550	550	2980	4-M30×500	8-M30×500
	Y450-6	450-630	6kV	IP23	850	550	575	575	150	2040	1248	1120	800	450	950	550	550	3490	4-M30×500	8-M30×500
	Y450-6	250-450	10kV	IP23	850	550	575	575	150	2050	1208	1120	800	450	950	550	550	3377	4-M30×500	8-M30×500
Y500-6	500-630	10kV	IP23	850	550	575	575	150	2200	1388	1250	900	500	1050	550	700	4790	4-M36×630	8-M30×500	

GTOS型泵特性曲线 GTOS Type pump performance curve chart

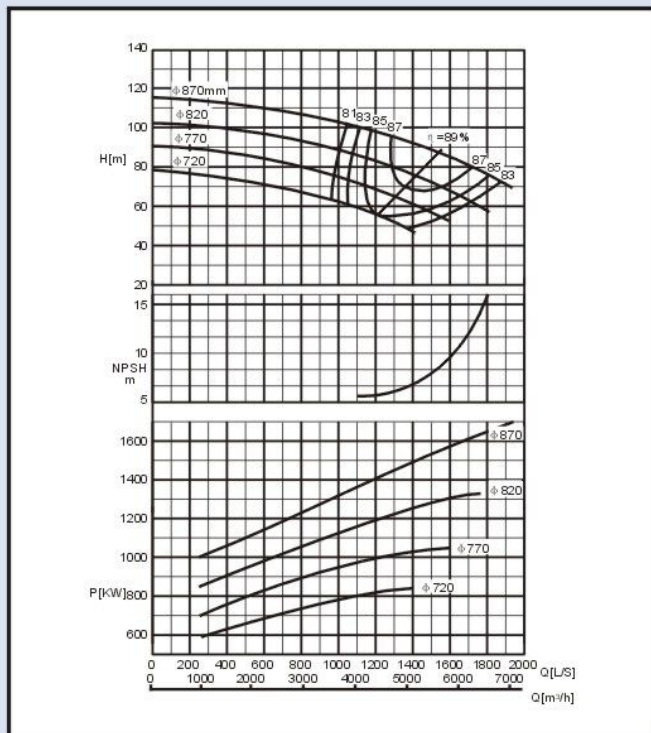
600-710 (I) n=960r/min



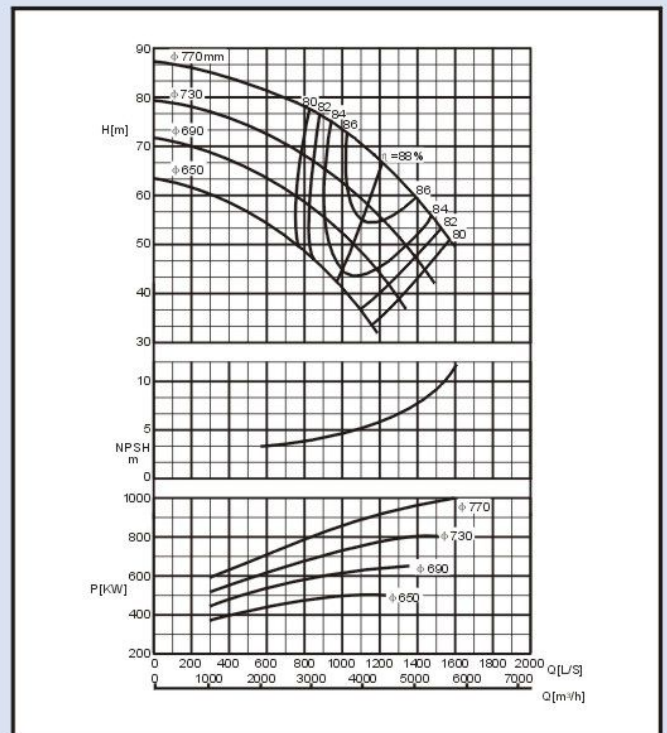
600-710 n=960r/min



600-830 (I) n=960r/min



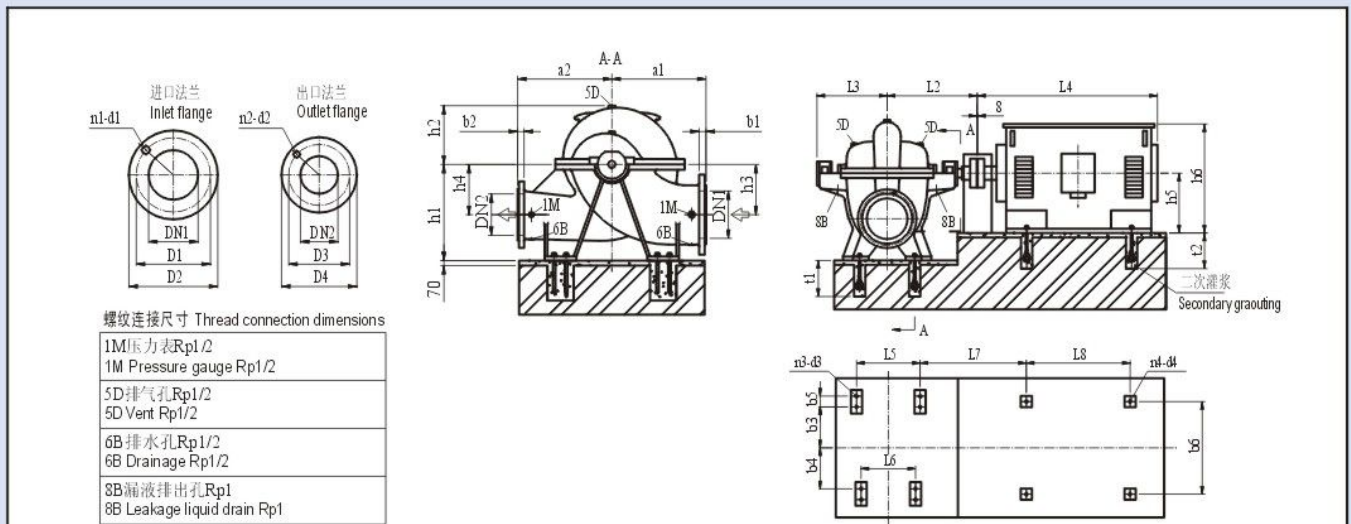
600-830 n=960r/min



GTOS型泵性能参数表 Performance parameters of GTOS pump

泵型号 Type	流量 Capacity Q		扬程 Head m	转速 Speed r/min	轴功率 Shaft power kW	效率 Eff. η %	有效汽 蚀余量 (NPSH) r m	电机功率 Motor power kW	叶轮参 考直径 D(mm)	泵型号 Type	流量 Capacity Q		扬程 Head m	转速 Speed r/min	轴功率 Shaft power kW	效率 Eff. η %	有效汽 蚀余量 (NPSH) r m	电机功率 Motor power kW	叶轮参 考直径 D(mm)	
	m³/h	l/s									m³/h	l/s								
GTOS 600-710(I)	A	2780	772	69	960	653	80	6.5	900	715	A	3300	917	105	960	1194	79	8.5	1600	1800
		4830	1286	58.5		828	89					1528	1472	87.5						
		6050	1680	43.5		896	80					1931	1615	82						
	B	2600	722	60.5	542	79	5.5	800	675	B	3060	850	93	993	78	7.0	1400	826		
		4320	1200	50	668	88					1419	1201	88							
		5620	1561	36	697	78					1800	1183	85							
	C	2430	675	53	449	78	5.0	630	640	C	2800	778	82	812	77	6.2	1120	1400		
		4050	1125	43	545	87					1300	908	87							
		5220	1450	31	565	78					1611	1230	86							
GTOS 600-710	A	2160	600	64.5	960	496	78	5.2	710	690	A	2600	722	79	960	717	88	6.0	1000	770
		3600	1000	54		601	88					1200	885	88						
		4680	1300	38		621	78					1561	1230	80						
	B	1990	553	54.6	384	77	5.0	560	650	B	2460	683	71.4	613	78	5.4	800	730		
		3310	919	45.8	474	87					1139	744	87							
		4300	1194	33	502	77					1478	770	79							
	C	1880	522	48.2	325	76	5.0	450	615	C	2300	639	62.8	504	78	5.0	710	800		
		3130	869	40.5	401	86					1061	598	87							
		4060	1128	30.5	444	76					1375	779	83							
C	1740	483	41	259	75	5.0	400	575	C	2080	578	55	404	77	4.5	560	650			
	2900	806	35	325	85					981	465	86								
	3670	1019	28	373	75					1181	469	79								

GTOS卧式泵安装尺寸图及主要外型尺寸 Installing dimensions of GTOS pump and outline size



螺纹连接尺寸 Thread connection dimensions

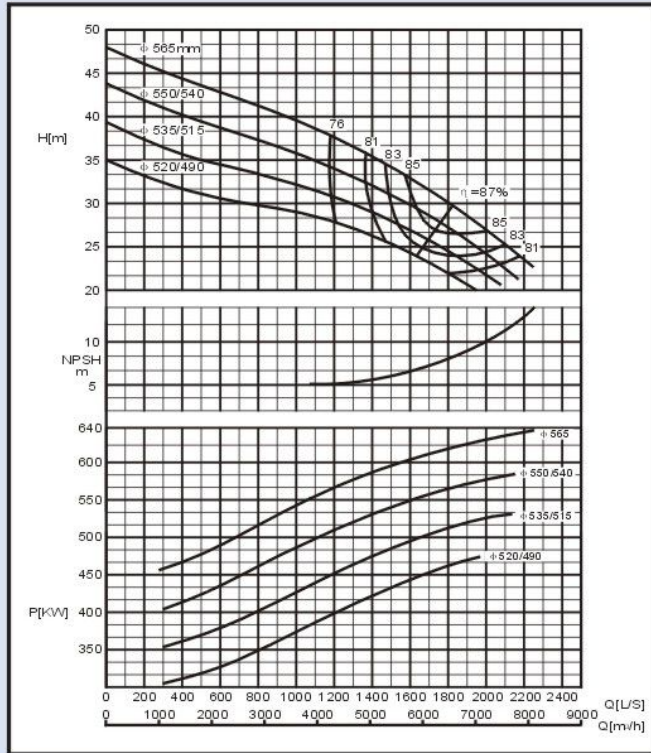
1M 压力表 Rp1/2	1M Pressure gauge Rp1/2
5D 排气孔 Rp1/2	5D Vent Rp1/2
6B 排水孔 Rp1/2	6B Drainage Rp1/2
8B 漏液排出孔 Rp1	8B Leakage liquid drain Rp1

泵型号 pump type	法兰尺寸 Flange dimension												a1	a2	h1	h2	h3	h4	L2	L3	泵重量 Pump weight
	DN1	D1	D2	n1-d1	b1	PN	DN2	D3	D4	n2-d2	b2	PN									
600-710	700	840	910	24-φ37	54	1.6MPa	600	770	840	20-φ37	48	1.6MPa	1000	1100	1050	650	550	550	1100	880	4180
600-830	700	840	910	24-φ37	54	1.6MPa	600	770	840	20-φ37	48	1.6MPa	1100	1200	1100	760	580	580	1200	950	5650

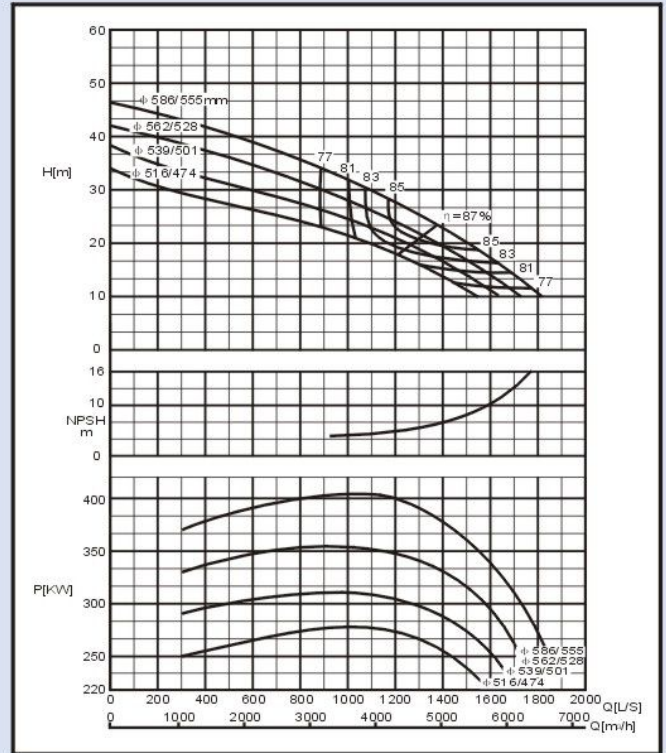
泵型号 Pump type	电机型号 Motor type	功率 Power	电压 Voltage	防护等级 Protection grade	L5	L6	b3	b4	b5	L4	L7	L8	b6	h5	h6	t1	t2	电机重量 Motor weight	电机地脚螺栓 Motor anchor bolt	泵地脚螺栓 Pump anchor bolt
600-710	Y400-6	400	6kV	IP23	950	750	500	550	120	1920	1078	1000	710	400	850	550	550	2980	4-M30×500	8-M30×500
	Y450-6	450-630	6kV	IP23	950	750	500	550	120	2040	1238	1120	800	450	950	550	550	3490	4-M30×500	8-M30×500
	Y500-6	710-900	6kV	IP23	950	750	500	550	120	2200	1358	1250	900	500	1050	550	700	4500	4-M36×630	8-M30×500
	Y450-6	400-450	10kV	IP23	950	750	500	550	120	2050	1198	1120	800	450	950	550	550	3377	4-M30×500	8-M30×500
	Y500-6	500-800	10kV	IP23	950	750	500	550	120	2200	1358	1250	900	500	1050	550	700	5050	4-M36×630	8-M30×500
	Y560-6	900	10kV	IP23	950	750	500	550	120	2450	1433	1400	1000	560	1180	550	700	6085	4-M36×630	8-M30×500
600-830	Y450-6	560-630	6kV	IP23	950	800	550	650	150	2040	1338	1120	800	450	950	550	550	3490	4-M30×500	8-M30×500
	Y500-6	710-1000	6kV	IP23	950	800	550	650	150	2200	1458	1250	900	500	1050	550	700	4700	4-M36×630	8-M30×500
	Y560-6	1120-1400	6kV	IP23	950	800	550	650	150	2400	1533	1400	1000	560	1180	550	700	6670	4-M36×630	8-M30×500
	Y630-6	1600-1800	6kV	IP23	950	800	550	650	150	2800	1563	1600	1120	630	1920	550	850	9720	4-M42×800	8-M30×500
	Y500-6	560-800	10kV	IP23	950	800	550	650	150	2200	1458	1250	900	500	1050	550	700	5050	4-M36×630	8-M30×500
	Y560-6	900-1250	10kV	IP23	950	800	550	650	150	2450	1533	1400	1000	560	1180	550	700	6920	4-M36×630	8-M30×500
Y630-6	1400-1800	10kV	IP23	950	800	550	650	150	2800	1563	1600	1120	630	1920	550	850	10500	4-M42×800	8-M30×500	

GTOS型泵特性曲线 GTOS Type pump performance curve chart

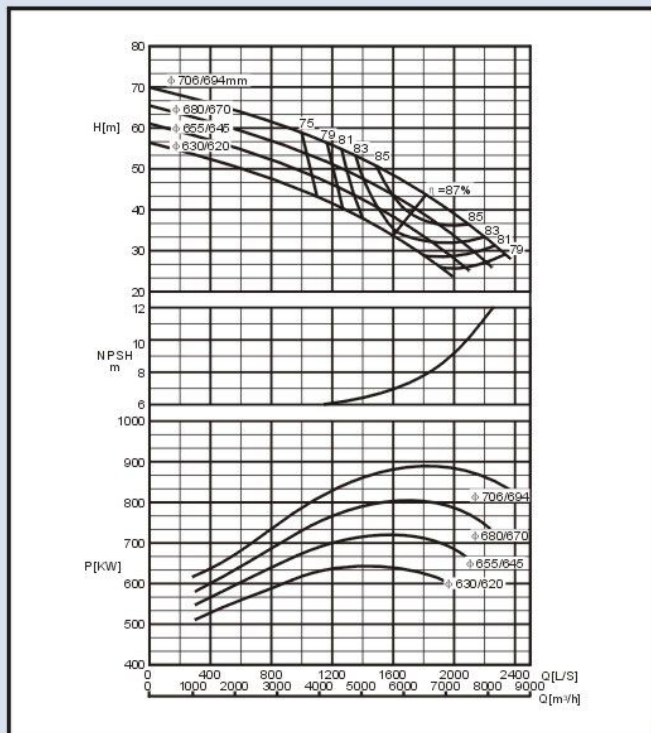
700-590 (I) n=960r/min



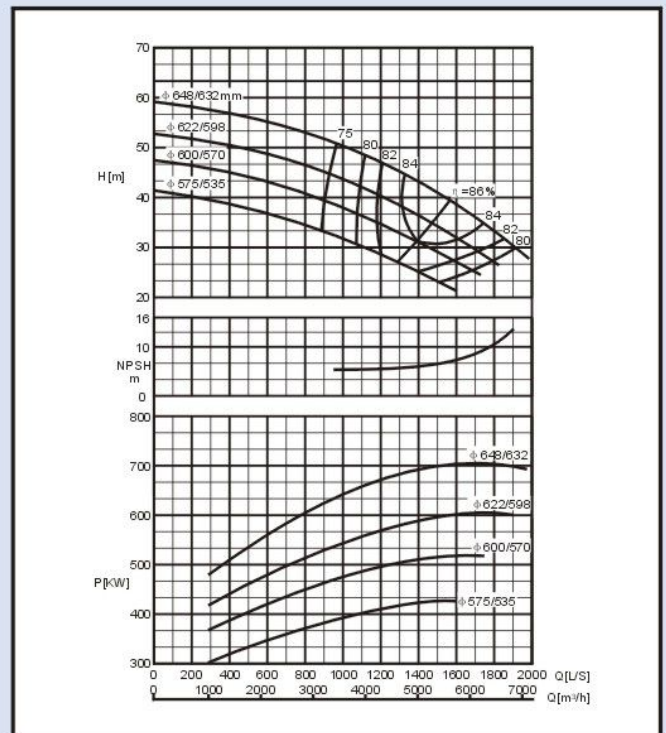
700-590 n=960r/min



700-710 (I) n=960r/min



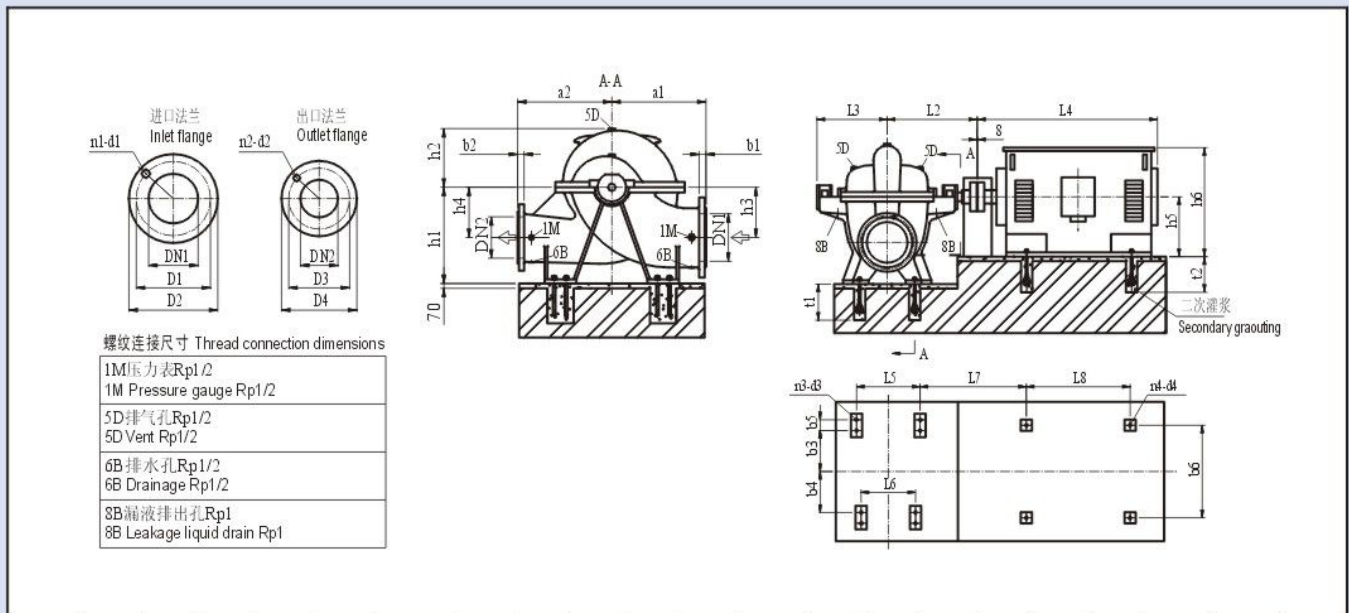
700-710 n=960r/min



GTOS型泵性能参数表 Performance parameters of GTOS pump

泵型号 Type	流量 Capacity Q		扬程 Head m	转速 Speed r/min	轴功率 Shaft power kW	效率 Eff. η %	有效汽 蚀余量 (NPSH) _r m	电机功率 Motor power kW	叶轮参 考直径 D(mm)	泵型号 Type	流量 Capacity Q		扬程 Head m	转速 Speed r/min	轴功率 Shaft power kW	效率 Eff. η %	有效汽 蚀余量 (NPSH) _r m	电机功率 Motor power kW	叶轮参 考直径 D(mm)				
	m ³ /h	l/s									m ³ /h	l/s											
GTOS 700-590(I)	A	3900	1083	38.8	960	549	75	8.0	710	565	A	3650	1014	58.5	960	775	75	8.0	1000	706			
		8480	1800	30		608	87					800	87	78									
		8060	2239	22.7		623	75					806	87	78									
	B	3780	1050	35.5	487	75	7.5	630	550	B	3750	1042	53.8	733	75	7.7	900	680					
		6300	1750	26	558	86					6270	1742	40.2	798	86				731	86	78		
		7800	2167	21.2	570	79					8060	2239	26	731	78				731	86	78		
C	3630	1008	32	427	74	7.0	560	535	C	3570	992	49.5	650	74	7.3	800	655						
	6050	1681	26	498	86					5950	1653	37	697	86				672	86	78			
	7450	2069	20.9	537	79					7560	2100	25.5	672	78				672	86	78			
GTOS 700-590	A	3500	972	29	960	373	74	6.0	400	586	A	3450	958	45	960	571	74	7.0	800	648			
		5970	1631	24		451	85					5740	1594	34		619	86				590	86	78
		7000	1944	20		489	78					7100	1972	23.8		711	78				711	86	78
	B	2850	792	36	367	76	6.0	400	562	B	3380	933	51.5	532	74	6.5	710	622					
		4750	1319	21.6	325	86					5600	1556	39.5	594	86				594	86	78		
		6150	1708	10.5	232	76					7280	2022	28	606	78				606	86	78		
C	2750	764	28	276	76	5.0	315	539	C	3020	839	41	455	74	6.0	560	600						
	4540	1261	20	267	86					5040	1400	31.5	503	86				503	86	78			
	5900	1639	10.5	232	76					6200	1722	24.5	530	78				530	86	78			
C	2810	725	25	234	74	4.5	280	516	C	2780	772	35.8	371	73	6.0	500	575						
	4350	1208	18	251	85					4630	1286	27.5	413	84				428	84	77			
	5550	1542	10	199	76					5760	1600	21	428	77				428	84	77			

GTOS卧式泵安装尺寸图及主要外型尺寸 Installing dimensions of GTOS pump and outline size

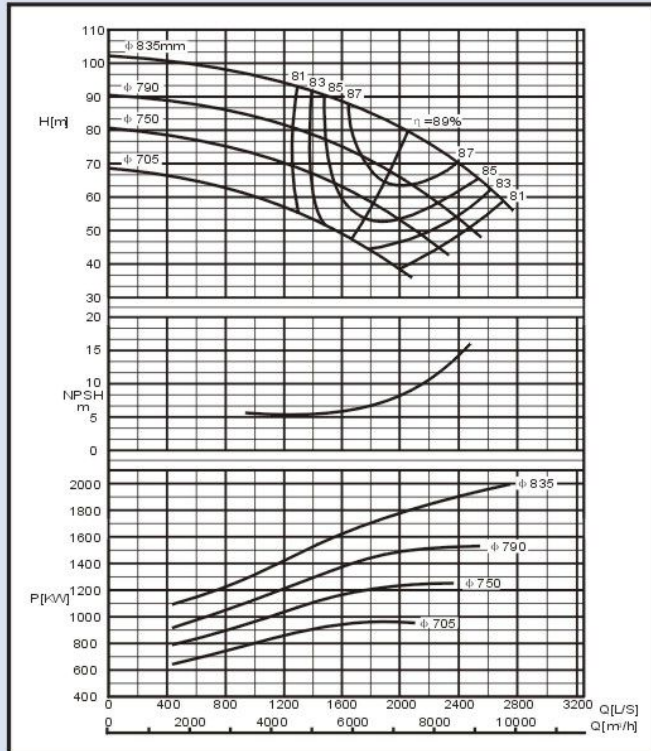


泵型号 pump type	法兰尺寸 Flange dimension														a1	a2	h1	h2	h3	h4	L2	L3	泵重量 Pump weight
	DN1	D1	D2	n1-d1	b1	PN	DN2	D3	D4	n2-d2	b2	PN											
700-590	800	950	1015	24-φ34	44	1.0MPa	700	840	895	24-φ31	40	1.0MPa	1200	1000	1150	720	600	600	1250	1040	4880		
700-710	800	950	1015	24-φ34	44	1.0MPa	700	840	895	24-φ31	40	1.0MPa	1200	1150	1170	750	620	620	1300	1050	6400		

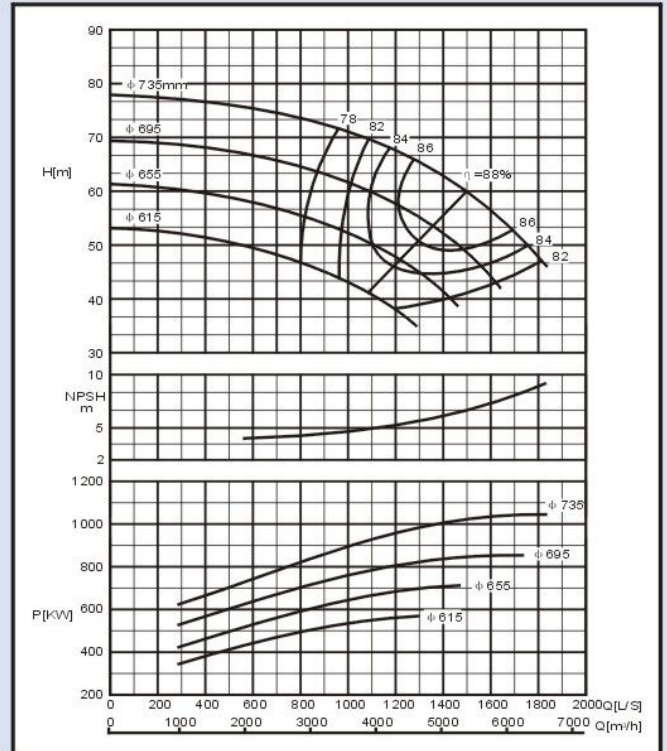
泵型号 Pump type	电机型号 Motor type	功率 Power	电压 Voltage	防护等级 Protection grade	L5	L6	b3	b4	b5	L4	L7	L8	b6	h5	h6	t1	t2	电机重量 Motor weight	电机地脚螺栓 Motor anchor bolt	泵地脚螺栓 Pump anchor bolt
					1100	850	650	500	100	1920	1253	1000	710	400	850	450	550			
700-590	Y400-6	280-400	6kV	IP23	1100	850	650	500	100	1920	1253	1000	710	400	850	450	550	2980 <td>4-M30×500</td> <td>8-M24×400</td>	4-M30×500	8-M24×400
	Y450-6	450-630	6kV	IP23	1100	850	650	500	100	2040	1313	1120	800	450	950	450	550	3490 <td>4-M30×500</td> <td>8-M24×400</td>	4-M30×500	8-M24×400
	Y500-6	710	6kV	IP23	1100	850	650	500	100	2200	1433	1250	900	500	1050	450	700	4100 <td>4-M36×630</td> <td>8-M24×400</td>	4-M36×630	8-M24×400
	Y450-6	280-450	10kV	IP23	1100	850	650	500	100	2050	1273	1120	800	450	950	450	550	3377 <td>4-M30×500</td> <td>8-M24×400</td>	4-M30×500	8-M24×400
	Y500-6	500-710	10kV	IP23	1100	850	650	500	100	2200	1433	1250	900	500	1050	450	700	4930 <td>4-M36×630</td> <td>8-M24×400</td>	4-M36×630	8-M24×400
700-710	Y450-6	500-630	6kV	IP23	1100	850	650	600	120	2040	1363	1120	800	450	950	550	550	3490 <td>4-M30×500</td> <td>8-M30×500</td>	4-M30×500	8-M30×500
	Y500-6	710-1000	6kV	IP23	1100	850	650	600	120	2200	1483	1250	900	500	1050	550	700	4700 <td>4-M36×630</td> <td>8-M30×500</td>	4-M36×630	8-M30×500
	Y500-6	500-800	10kV	IP23	1100	850	650	600	120	2200	1483	1250	900	500	1050	550	700	5050 <td>4-M36×630</td> <td>8-M30×500</td>	4-M36×630	8-M30×500
	Y560-6	900-1000	10kV	IP23	1100	850	650	600	120	2450	1558	1400	1000	560	1180	550	700	6415 <td>4-M36×630</td> <td>8-M30×500</td>	4-M36×630	8-M30×500

GTOS型泵特性曲线 GTOS Type pump performance curve chart

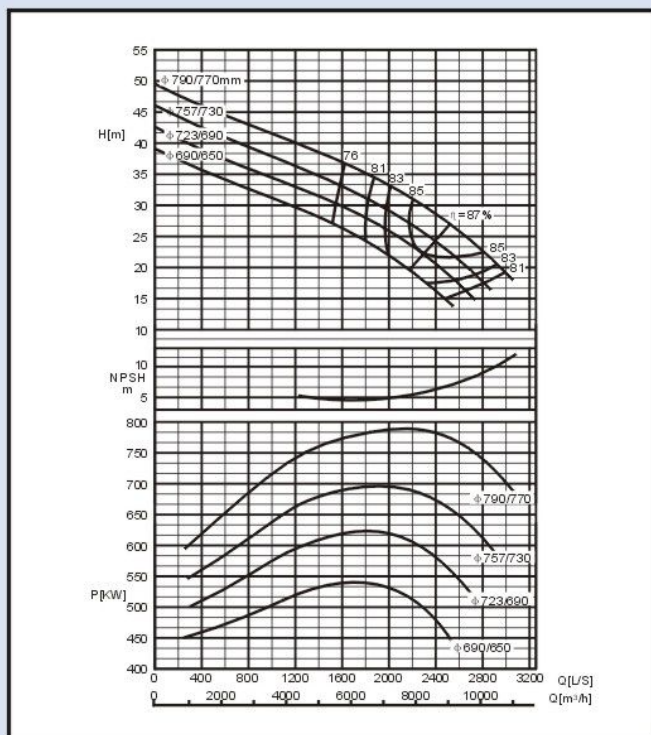
700-820(I) n=960r/min



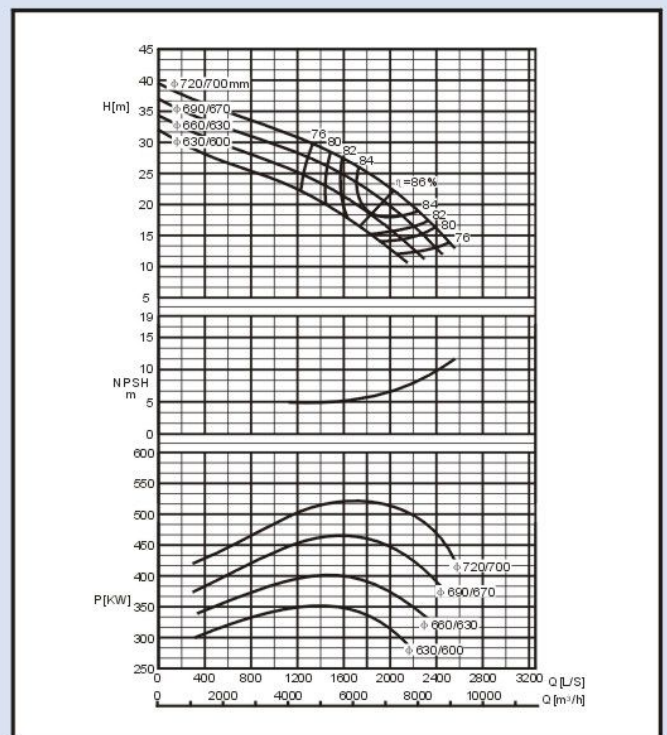
700-820 n=960r/min



800-740 (I) n=725r/min



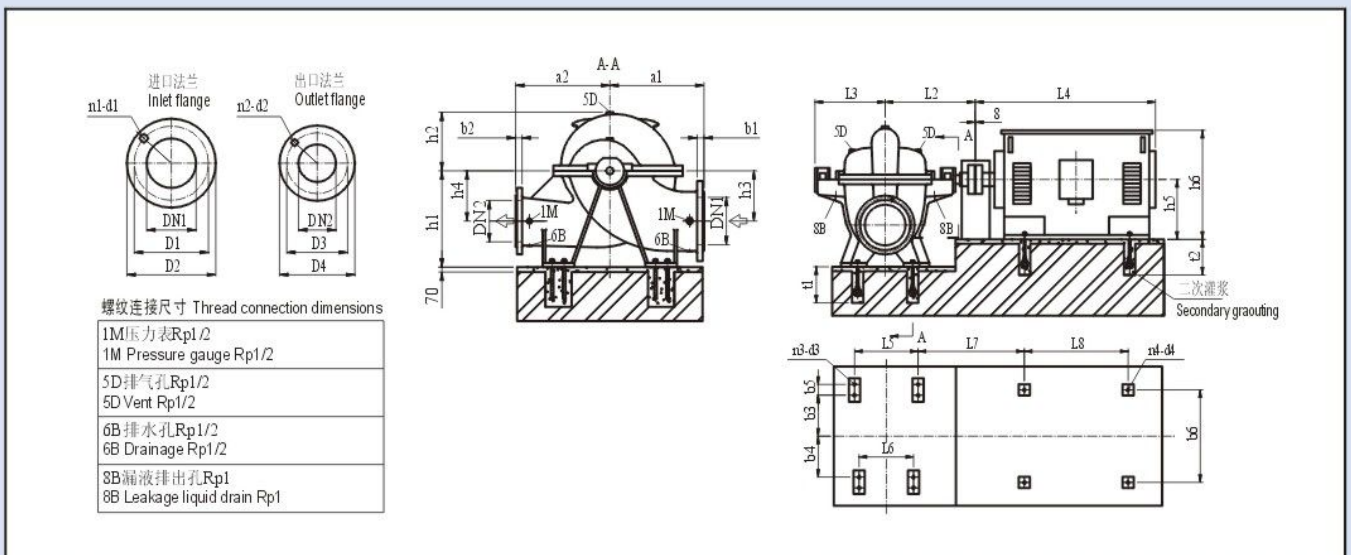
800-740 n=725r/min



GTOS型泵性能参数表 Performance parameters of GTOS pump

泵型号 Type	流量 Capacity Q		扬程 Head m	转速 Speed r/min	轴功率 Shaft power kW	效率 Eff. η %	有效汽蚀余量 (NPSH) _r m	电机功率 Motor power kW	叶轮参考直径 D(mm)	泵型号 Type	流量 Capacity Q		扬程 Head m	转速 Speed r/min	轴功率 Shaft power kW	效率 Eff. η %	有效汽蚀余量 (NPSH) _r m	电机功率 Motor power kW	叶轮参考直径 D(mm)					
	m ³ /h	l/s									m ³ /h	l/s												
GTOS 700-820(I)	A	4430	1231	92	1387	80	8.8	2000	835	GTOS 800-740(I)	A	5400	1500	725	751	74	7.0	800	790					
		7380	2050									8000	2500							660	74	87	80	
		9600	2667									11000	3056							681	80			
	B	4180	1161	82.6	1175	80	8.0	1600	790		B	A	5200	1444	725	660	74	6.3	710	757				
		6960	1933										8640	2400							665	74	86	79
		9050	2514										10300	2861							589	79		
	C	3930	1092	71.5	968	79	7.0	1400	750		C	B	4970	1381	725	578	74	6.0	630	723				
		6550	1819										8280	2300							584	74	86	79
		8430	2342										9850	2736							502	79		
GTOS 700-820	A	3600	1000	60	754	78	6.3	1000	705	GTOS 800-740	A	4700	1306	725	501	74	5.5	560	690					
		6010	1669									7850	2180							497	74	86	79	
		7500	2083									9200	2556							444	79			
	B	3240	900	72.8	834	77	6.8	1120	735		B	A	4380	1211	725	487	75	7.2	560	720				
		6400	1500										7270	2019							511	86	86	75
		6600	1833										9150	2542							432	75		
	C	2970	825	65	683	77	6.0	900	695		C	B	4170	1158	725	433	75	7.0	500	690				
		4950	1375										6950	1931							459	85	85	75
		5900	1639										8720	2422							396	75		
A	2640	733	56.6	535	76	5.5	710	655	A	A	3960	1100	725	379	74	6.0	450	660						
	4400	1222									6600	1833							396	74	84	74		
	5260	1461									8250	2292							345	74				
B	2340	650	49	416	85	5.0	630	615	B	B	3760	1044	725	334	73	6.0	400	630						
	3900	1083									6600	1739							335	84	74			
	4620	1283									7700	2139							297	74				

GTOS卧式泵安装尺寸图及主要外型尺寸 Installing dimensions of GTOS pump and outline size

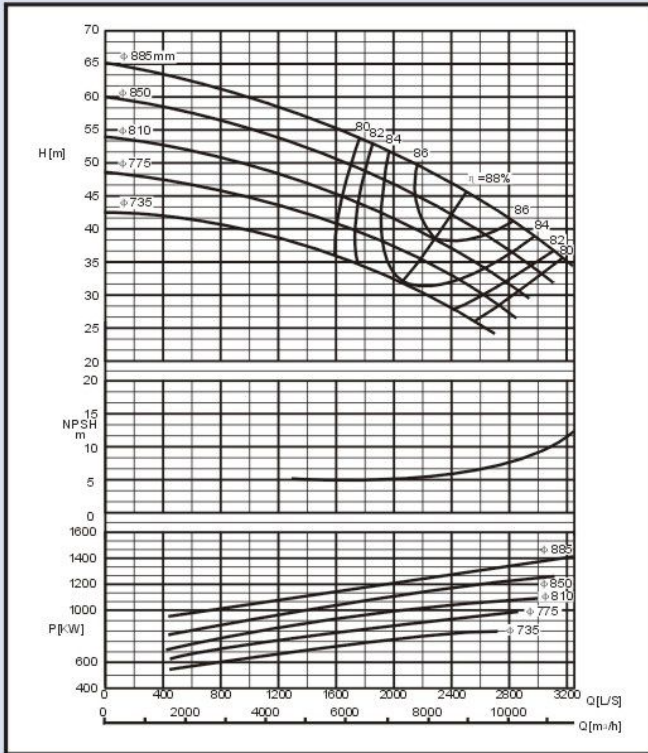


泵型号 pump type	法兰尺寸 Flange dimension											a1	a2	h1	h2	h3	h4	L2	L3	泵重量 Pump weight	
	DN1	D1	D2	n1-d1	b1	PN	DN2	D3	D4	n2-d2	b2										PN
700-820	800	950	1025	24-φ40	58	1.6MPa	700	840	910	24-φ37	54	1.6MPa	1200	1200	1200	850	650	650	1380	1130	7300
800-740	900	1050	1115	28-φ34	46	1.0MPa	800	950	1015	24-φ34	44	1.0MPa	1400	1000	1360	920	770	770	1350	1120	7880

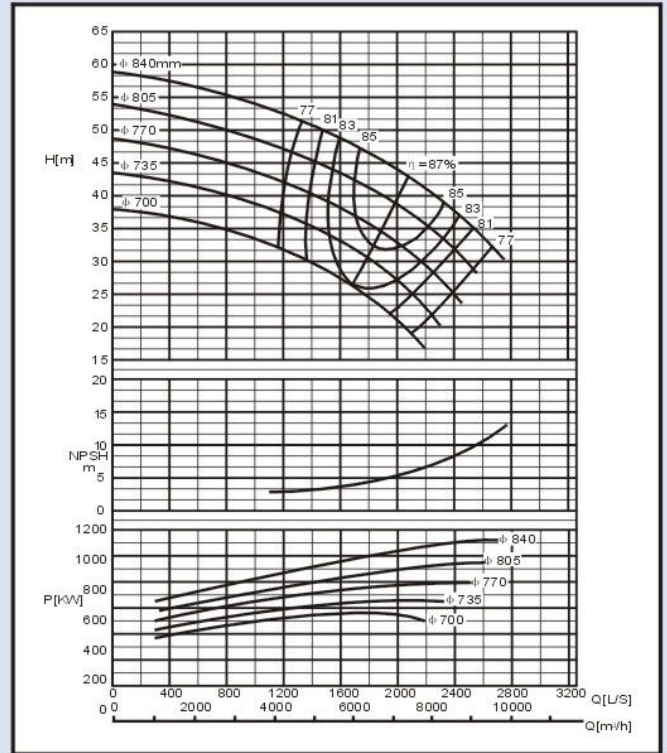
泵型号 Pump type	电机型号 Motor type	功率 Power	电压 Voltage	防护等级 Protection grade	L5	L6	b3	b4	b5	L4	L7	L8	b6	h5	h6	t1	t2	电机重量 Motor weight	电机地脚螺栓 Motor anchor bolt	泵地脚螺栓 Pump anchor bolt
700-820	Y450-6	560-630	6kV	IP23	1100	850	650	650	150	2040	1443	1120	800	450	950	700	550	3490	4-M30×500	8-M36×630
	Y500-6	710-1000	6kV	IP23	1100	850	650	650	150	2200	1563	1250	900	500	1050	700	700	4700	4-M36×630	8-M36×630
	Y560-6	1120-1400	6kV	IP23	1100	850	650	650	150	2400	1638	1400	1000	560	1180	700	700	6670	4-M36×630	8-M36×630
	Y630-6	1600	6kV	IP23	1100	850	650	650	150	2800	1668	1600	1120	630	1920	700	850	10550	4-M42×800	8-M36×630
	Y500-6	560-800	10kV	IP23	1100	850	650	650	150	2200	1563	1250	900	500	1050	700	700	5050	4-M36×630	8-M36×630
	Y560-6	900-1250	10kV	IP23	1100	850	650	650	150	2450	1638	1400	1000	560	1180	700	700	6920	4-M36×630	8-M36×630
800-740	Y630-6	1400-1600	10kV	IP23	1100	850	650	650	150	2800	1668	1600	1120	630	1920	700	850	10500	4-M42×800	8-M36×630
	Y450-8	400-450	6kV	IP23	1200	900	700	450	150	2040	1363	1120	800	450	950	550	550	3470	4-M30×500	8-M30×500
	Y500-8	500-710	6kV	IP23	1200	900	700	450	150	2200	1483	1250	900	500	1050	550	700	4500	4-M36×630	8-M30×500
	Y560-8	800	6kV	IP23	1200	900	700	450	150	2400	1558	1400	1000	560	1180	550	700	6130	4-M36×630	8-M30×500
	Y500-8	400-550	10kV	IP23	1200	900	700	450	150	2200	1483	1250	900	500	1050	550	700	6100	4-M36×630	8-M30×500
Y560-8	710-800	10kV	IP23	1200	900	700	450	150	2450	1558	1400	1000	560	1180	550	700	6620	4-M36×630	8-M30×500	

GTOS型泵特性曲线 GTOS Type pump performance curve chart

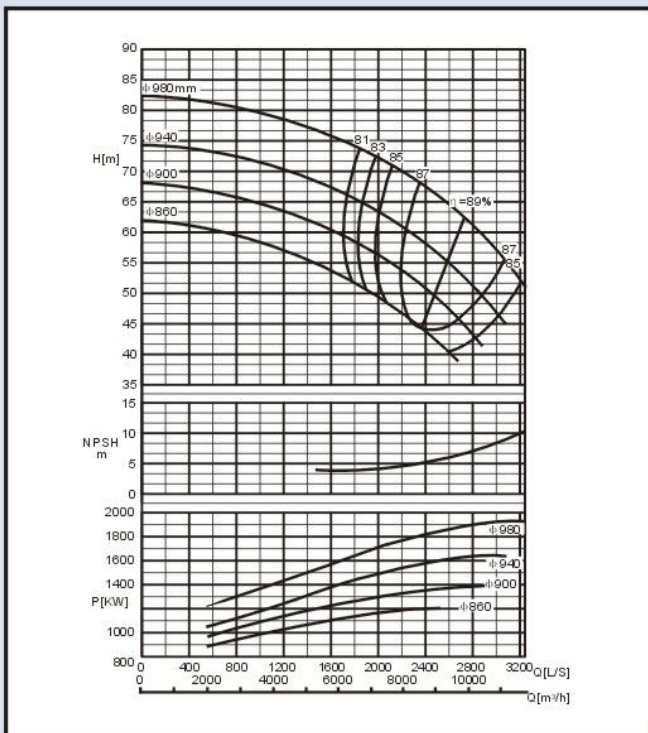
800-840 (I) n=725r/min



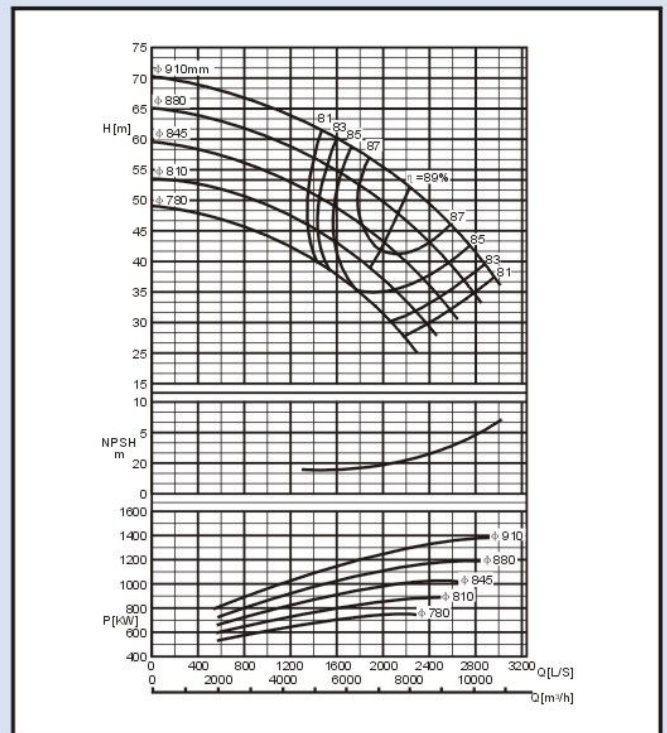
800-840 n=725r/min



800-970 (I) n=725r/min



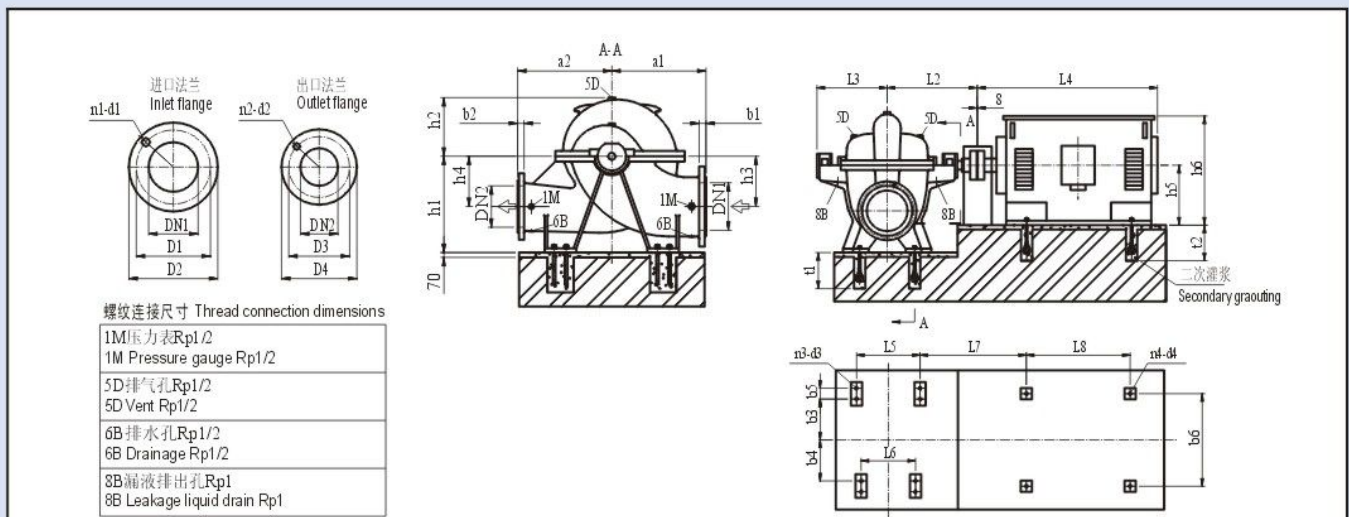
800-970 n=725r/min



GTOS型泵性能参数表 Performance parameters of GTOS pump

泵型号 Type	流量 Capacity Q		扬程 Head m	转速 Speed r/min	轴功率 Shaft power kW	效率 Eff. η %	有效汽 蚀余量 (NPSH) _r m	电机功率 Motor power kW	叶轮参 考直径 D(mm)	泵型号 Type	流量 Capacity Q		扬程 Head m	转速 Speed r/min	轴功率 Shaft power kW	效率 Eff. η %	有效汽 蚀余量 (NPSH) _r m	电机功率 Motor power kW	叶轮参 考直径 D(mm)	
	m ³ /h	l/s									m ³ /h	l/s								
GTOS 800-840(I)	A	5400	1500	725	1083	78	6.3	1400	885	GTOS 800-970(I)	A	5980	1633	725	1630	79	7.1	2000	980	
		9000	2500		1281	88						1873	85							
		11700	3250		1391	79						1902	85							
	B	4960	1378		833	77	5.5	1120	810		B	A	5580		1550	1298	79	6.0	1800	940
		8260	2204		947	78							1565		84					
		10800	2944		1231	89							1611		84					
	C	4710	1308		725	76	5.3	1000	775		C	B	5300		1472	1123	79	5.5	1600	900
		8250	2181		1007	89							1381		83					
		10200	2833		1096	78							1409		83					
	D	4470	1242		625	75	5.0	900	735		D	C	5100		1417	988	78	5.0	1400	860
		7450	2069		721	76							1184		87					
		9700	2694		833	87							1203		83					
GTOS 800-840	A	4500	1250	725	854	76	6.0	1120	840	GTOS 800-970	A	4800	1333	725	1029	80	6.8	1400	910	
		7500	2083		1009	87						1272	83							
		9750	2708		1093	76						1337	83							
	B	4300	1194		721	75	5.2	1000	805		B	A	4600		1278	924	79	5.0	1250	880
		7150	1989		851	89							1131		88					
		9180	2550		933	75							1166		82					
	C	4080	1133		637	75	4.5	900	770		C	B	4350		1208	797	79	5.0	1250	845
		8050	1989		833	75							968		88					
		8950	2498		933	75							998		79					
	D	3860	1072		547	74	4.2	710	735		D	C	4100		1139	687	78	4.5	1000	810
		6430	1786		640	84							835		87					
		8280	2300		601	75							862		78					
E	3630	1008	453	73	4.0	630	700	E	D	3840	1087	597	77	4.0	800	780				
	6060	1681	632	83						709	86									
	7860	2183	486	74						729	77									

GTOS卧式泵安装尺寸图及主要外型尺寸 Installing dimensions of GTOS pump and outline size

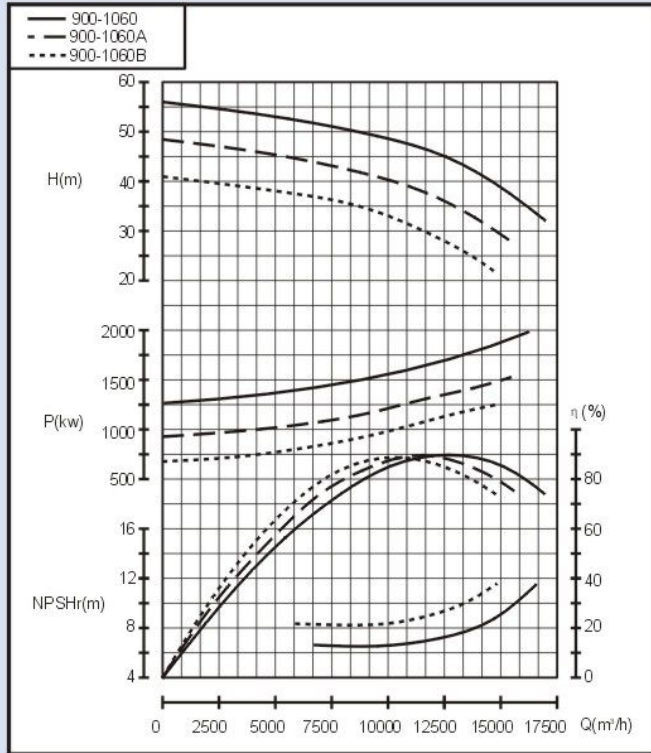


泵型号 Pump type	法兰尺寸 Flange dimension												a1	a2	h1	h2	h3	h4	L2	L3	泵重量 Pump weight
	DN1	D1	D2	n1-d1	b1	PN	DN2	D3	D4	n2-d2	b2	PN									
800-840	900	1050	1115	28-φ34	46	1.0MPa	800	950	1015	24-φ34	44	1.0MPa	1400	1125	1360	900	770	760	1420	1270	8200
800-970	900	1050	1115	28-φ34	46	1.0MPa	800	950	1015	24-φ34	44	1.0MPa	1400	1300	1380	850	760	760	1500	1250	9380

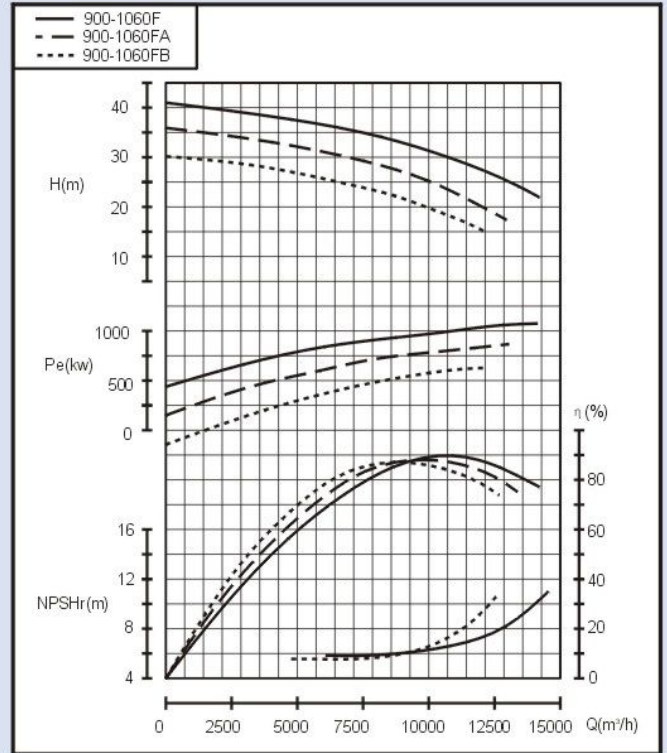
泵型号 Pump type	电机型号 Motor type	功率 Power	电压 Voltage	防护等级 Protection grade	L5	L6	b3	b4	b5	L4	L7	L8	b6	h5	h6	t1	t2	电机重量 M motor weight	电机地脚螺栓 Motor anchor bolt	泵地脚螺栓 Pump anchor bolt	
																					Y560-8
800-840	Y560-8	630-710	6kV	IP23	1200	900	700	550	150	2200	1553	1250	900	500	1050	700	700	4500	4-M36×630	8-M36×630	
	Y560-8	800-1000	6kV	IP23	1200	900	700	550	150	2400	1628	1400	1000	560	1180	700	700	6473	4-M36×630	8-M36×630	
	Y630-8	1120-1400	6kV	IP23	1200	900	700	550	150	2800	1658	1600	1120	630	1920	700	850	10500	4-M42×800	8-M36×630	
	Y560-8	630-900	10kV	IP23	1200	900	700	550	150	2450	1628	1400	1000	560	1180	700	700	6760	4-M36×630	8-M36×630	
	Y630-8	1000-1250	10kV	IP23	1200	900	700	550	150	2800	1658	1600	1120	630	1920	700	850	10570	4-M42×800	8-M36×630	
	-	1400	10kV	-	1200	900	700	550	150							700					8-M36×630
800-970	Y560-8	800-1000	6kV	IP23	1200	900	700	700	180	2400	1708	1400	1000	560	1180	700	700	6473	4-M36×630	8-M36×630	
	Y630-8	1120-1600	6kV	IP23	1200	900	700	700	180	2800	1738	1600	1120	630	1920	700	850	10920	4-M42×800	8-M36×630	
	-	1800-2000	6kV	-	1200	900	700	700	180							700					8-M36×630
	Y560-8	800-900	10kV	IP23	1200	900	700	700	180	2450	1708	1400	1000	560	1180	700	700	6760	4-M36×630	8-M36×630	
	Y630-8	1000-1250	10kV	IP23	1200	900	700	700	180	2800	1738	1600	1120	630	1920	700	850	10570	4-M42×800	8-M36×630	
	-	1400-2000	10kV	-	1200	900	700	700	180							700					8-M36×630

GTOS型泵特性曲线 GTOS Type pump performance curve chart

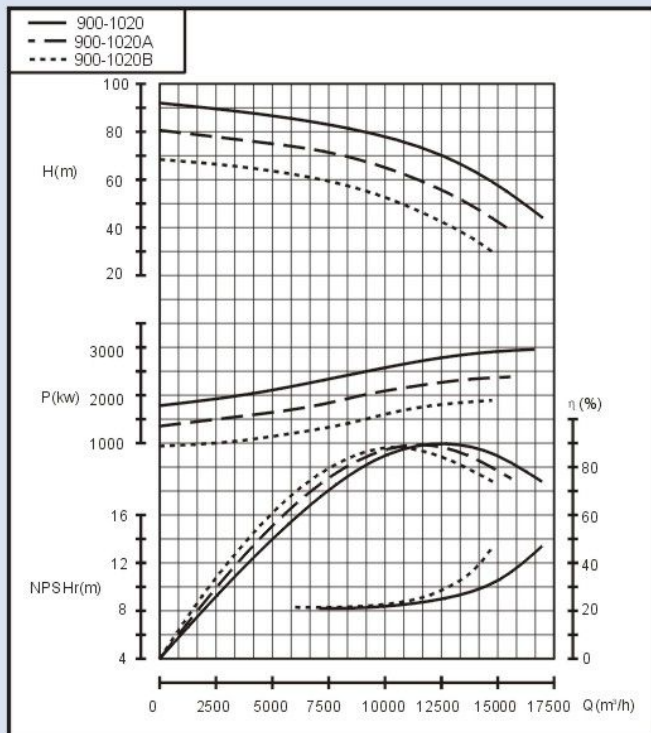
n=590r/min



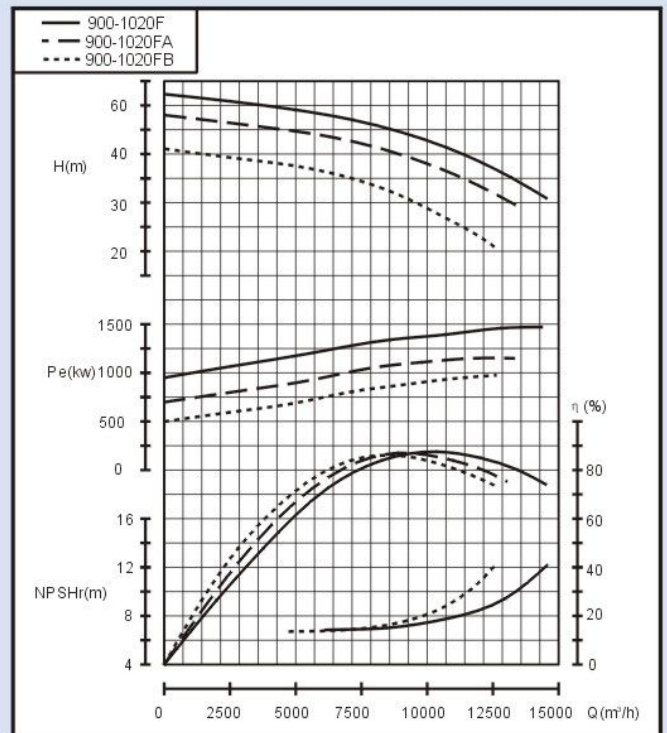
n=495r/min



n=740r/min



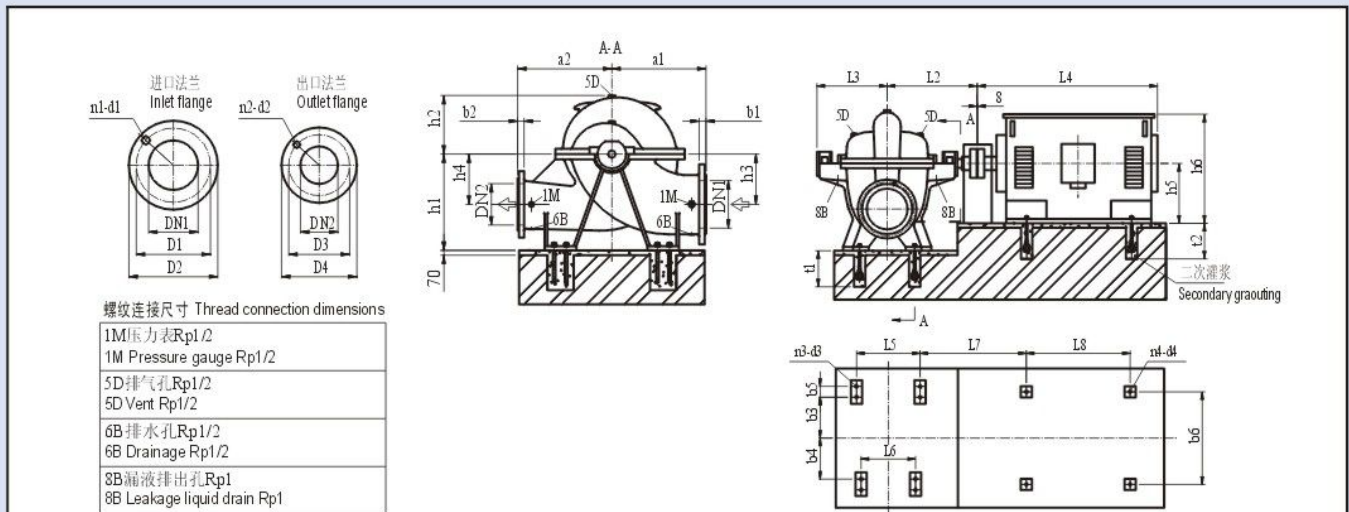
n=595r/min



GTOS型泵性能参数表 Performance parameters of GTOS pump

泵型号 Type	流量 Capacity Q		扬程 Head m	转速 Speed r/min	轴功率 Shaft power kW	效率 Eff. η %	有效汽 蚀余量 (NPSH) _r m	电机功率 Motor power kW	叶轮参 考直径 D(mm)	泵型号 Type	流量 Capacity Q		扬程 Head m	转速 Speed r/min	轴功率 Shaft power kW	效率 Eff. η %	有效汽 蚀余量 (NPSH) _r m	电机功率 Motor power kW	叶轮参 考直径 D(mm)	
	m ³ /h	l/s									m ³ /h	l/s								
GTOS 900-1060	A	10000	2778	48	590	1537	85	7.0	2000	GTOS 900-1020	A	10000	2778	78	740	2498	85	9.0	3150	
		12500	3472			1721	89					12500	3472			72	2784			88
		15000	4167			1825	85					15000	4167			58	2819			84
	B	9250	2569	41	590	1229	84	6.8	1600		B	9250	2569	67	740	2033	83	8.7	2500	
		11500	3194			1344	88.5					11500	3194			61	2182			87.5
		13800	3833			1431	84					13800	3833			50	2291			82
GTOS 900-1060F	A	8500	2361	34	495	926	85	6.5	1250	GTOS 900-1020F	A	8000	2222	51	590	1371	81	7.5	1600	
		10500	2917			996	89					10000	2778			46	1423			88
		12500	3472			1081	85					12000	3333			38	1478			84
	B	7800	2167	29	495	724	85	6.2	1000		B	7500	2083	43	590	1084	81	7.3	1400	
		9800	2722			784	88.5					9200	2556			39	1116			87.5
		11500	3194			820	84					11000	3056			32	1169			82
B	7000	1944	24	495	558	82	5.9	710	B	6800	1899	36	590	833	80	6.9	1000			
	8800	2444			599	88				8500	2361			33	931			82		
	10500	2917			647	84				10300	2861			28	946			83		

GTOS卧式泵安装尺寸图及主要外型尺寸 Installing dimensions of GTOS pump and outline size

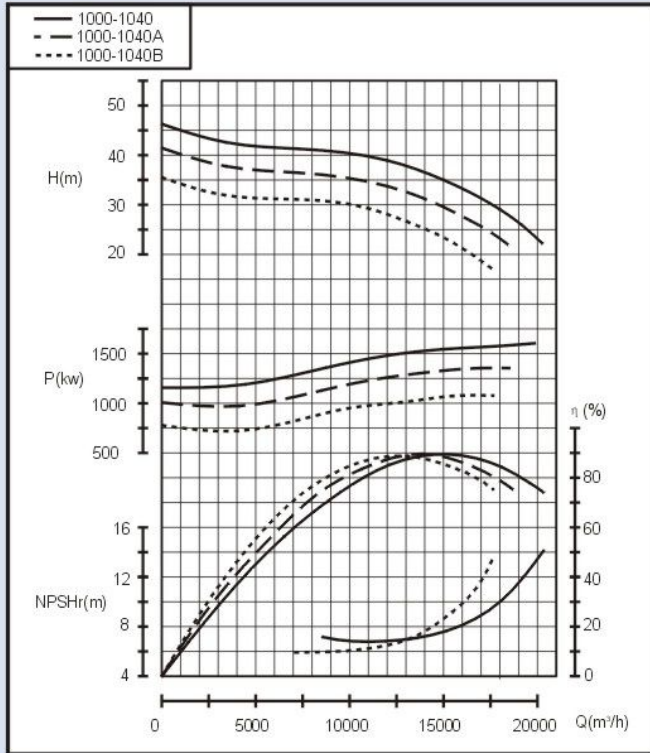


泵型号 Pump type	法兰尺寸 Flange dimension												a1	a2	h1	h2	h3	h4	L2	L3	泵重量 Pump weight
	DN1	D1	D2	n1-d1	b1	PN	DN2	D3	D4	n2-d2	b2	PN									
900-1060	1000	1160	1230	28-φ37	50	1.0MPa	900	1050	1115	28-φ34	46	1.0MPa	1600	1200	1700	1100	975	975	1750	1460	13600
900-1020	1000	1160	1230	28-φ37	50	1.0MPa	900	1050	1115	28-φ34	46	1.0MPa	1600	1200	1700	1100	975	975	1750	1460	13600

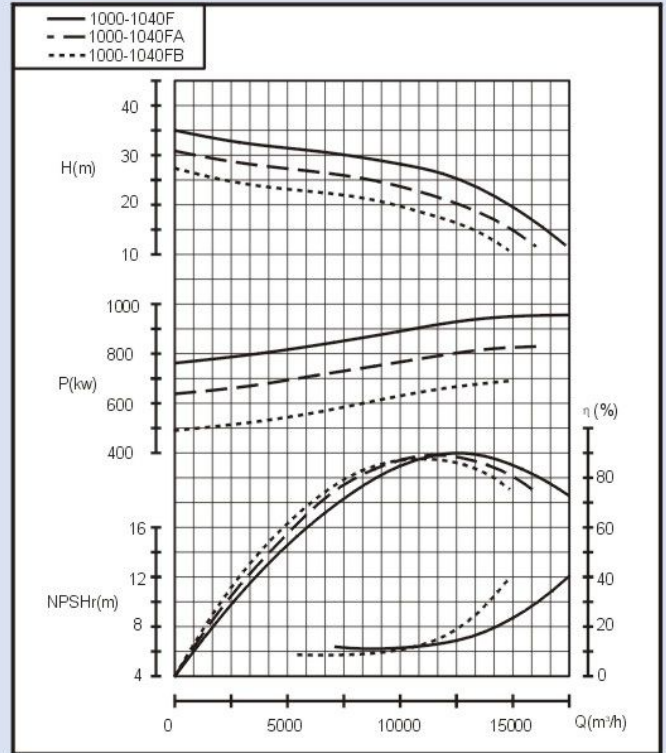
泵型号 Pump type	电机型号 Motor type	功率 Power	电压 Voltage	防护等级 Protection grade	L5	L6	b3	b4	b5	L4	L7	L8	b6	h5	h6	t1	t2	电机重量 Motor weight	电机地脚螺栓 Motor anchor bolt	泵地脚螺栓 Pump anchor bolt
900-1060					1150	850	750	600	200								700			8-M36×630
					1150	850	750	600	200								700			8-M36×630
					1150	850	750	600	200								700			8-M36×630
					1150	850	750	600	200								700			8-M36×630
					1150	850	750	600	200								700			8-M36×630
					1150	850	750	600	200								700			8-M36×630
900-1020					1150	850	750	600	200								700			8-M36×630
					1150	850	750	600	200								700			8-M36×630
					1150	850	750	600	200								700			8-M36×630
					1150	850	750	600	200								700			8-M36×630
					1150	850	750	600	200								700			8-M36×630
					1150	850	750	600	200								700			8-M36×630

GTOS型泵特性曲线 GTOS Type pump performance curve chart

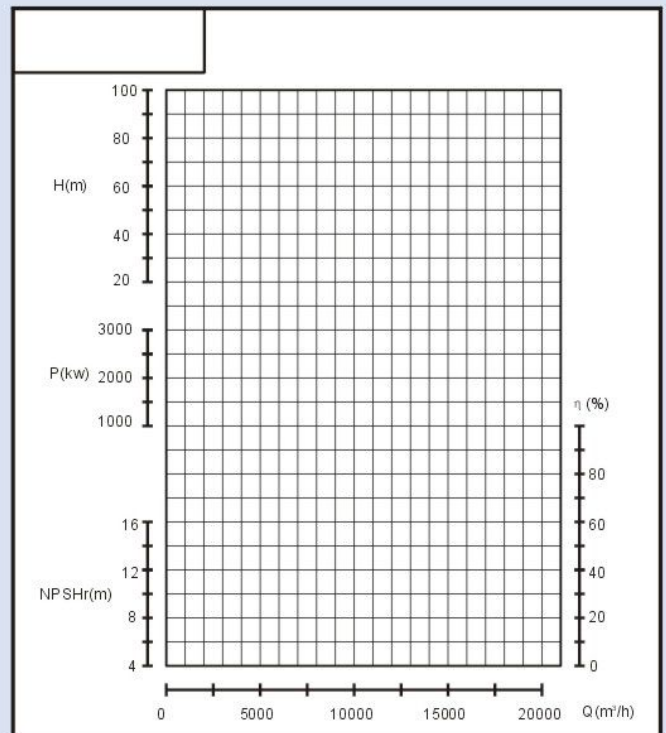
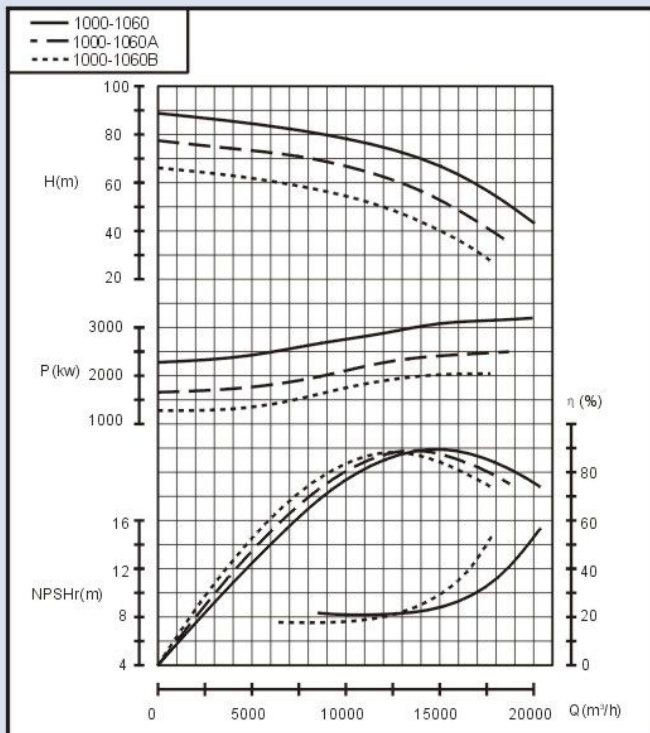
n=590r/min



n=495r/min



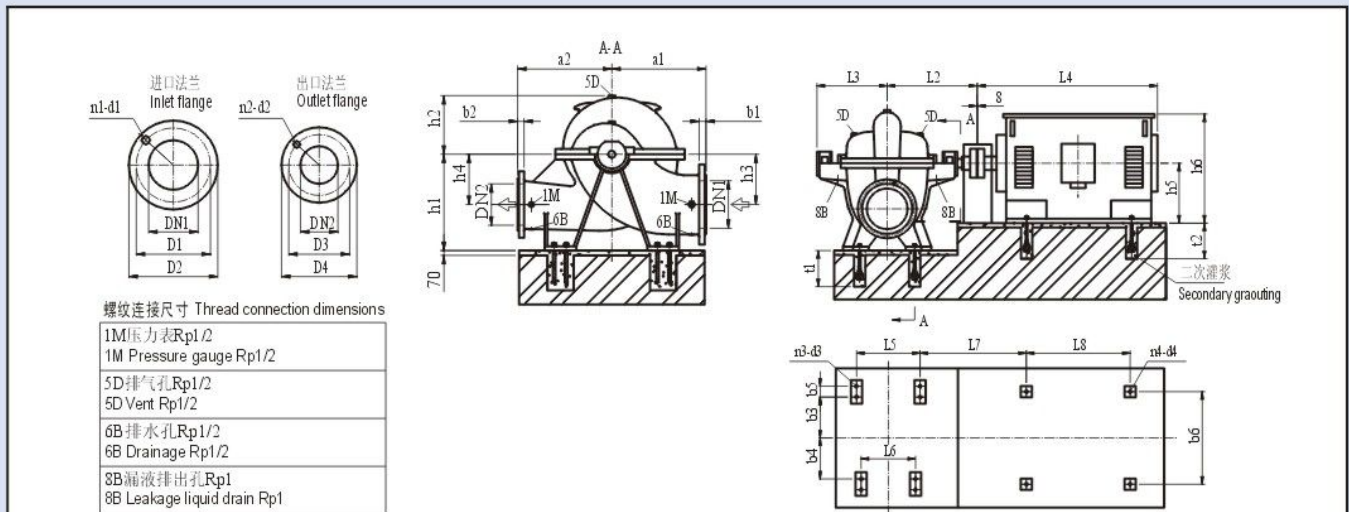
n=740r/min



GTOS型泵性能参数表 Performance parameters of GTOS pump

泵型号 Type	流量 Capacity Q		扬程 Head m	转速 Speed r/min	轴功率 Shaft power kW	效率 Eff. η %	有效汽 蚀余量 (NPSH) _r m	电机功率 Motor power kW	叶轮参 考直径 D(mm)	泵型号 Type	流量 Capacity Q		扬程 Head m	转速 Speed r/min	轴功率 Shaft power kW	效率 Eff. η %	有效汽 蚀余量 (NPSH) _r m	电机功率 Motor power kW	叶轮参 考直径 D(mm)					
	m ³ /h	l/s									m ³ /h	l/s												
GTOS 1000-1040	A	12000	3333	39	590	1535	83	7.5	2000	GTOS 1000-1060	A	12000	3333	75	2962	83	9.0	3550						
		15000	4167			88	15000					4167	68			13800				3833	58	12800	3556	81.5
		18000	5000			85	18000					5000	56			18500				4583	47	15300	4250	40
	B	11200	3111	35	590	1288	83	7.2	1600		B	11000	3056	64	2337	82	8.6	2800						
		14000	3889			88.5	13800					3833	58			12800				3556	87.5			
		17000	4722			84.5	1424					47	18500			4583				47	15300	4250	40	
GTOS 1000-1040F	A	10000	2778	28	495	907	84	7.0	1120		A	9400	2611	25	495	762	84	6.7	900					
		13000	3611			89	11800					3278	22			14200	3944			18	8800	2444	21	
		15000	4167			84	15000					4167	20			15000	4167			20	11000	3056	15	
	B	10500	2917	30	590	1046	82	7.0	1250		B	10000	2778	54	1804	81.5	8.3	2240						
		13000	3611			88	12800					3556	58			12800			3556	87				
		15800	4389			84	15800					4389	22			15300			4250	40	13500	3750	14	

GTOS卧式泵安装尺寸图及主要外型尺寸 Installing dimensions of GTOS pump and outline size

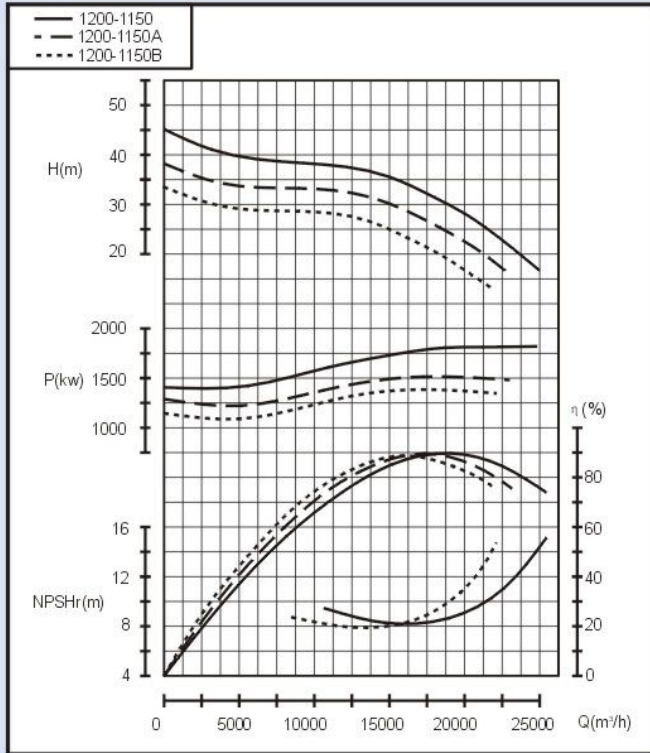


泵型号 Pump type	法兰尺寸 Flange dimension												a1	a2	h1	h2	h3	h4	L2	L3	泵重量 Pump weight
	DN1	D1	D2	n1-d1	b1	PN	DN2	D3	D4	n2-d2	b2	PN									
1000-1040	1200	1380	1455	32-φ40	56	1.0MPa	1000	1160	1230	28-φ37	50	1.0MPa	1800	1400	1900	1230	1050	1050	1980	1630	15600
1000-1060	1200	1380	1455	32-φ40	56	1.0MPa	1000	1160	1230	28-φ37	50	1.0MPa	1800	1400	1900	1230	1050	1050	1980	1630	15600

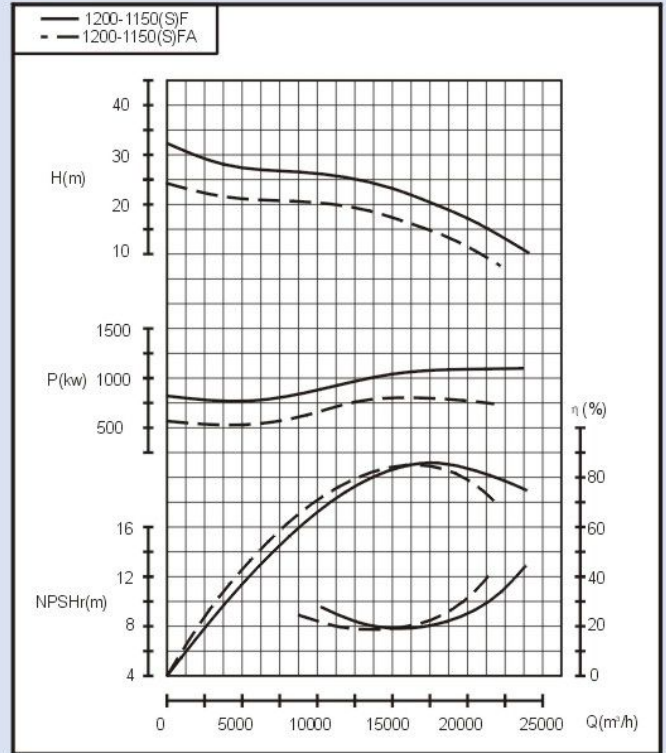
泵型号 Pump type	电机型号 Motor type	功率 Power	电压 Voltage	防护等级 Protection grade	L5	L6	b3	b4	b5	L4	L7	L8	b6	h5	h6	t1	t2	电机重量 Motor weight	电机地脚螺栓 Motor anchor bolt	泵地脚螺栓 Pump anchor bolt
1000-1040					1300	1000	950	750	200								700			8-M36×630
					1300	1000	950	750	200								700			8-M36×630
					1300	1000	950	750	200								700			8-M36×630
					1300	1000	950	750	200								700			8-M36×630
					1300	1000	950	750	200								700			8-M36×630
					1300	1000	950	750	200								700			8-M36×630
1000-1060					1300	1000	950	750	200								700			8-M36×630
					1300	1000	950	750	200								700			8-M36×630
					1300	1000	950	750	200								700			8-M36×630
					1300	1000	950	750	200								700			8-M36×630

GTOS型泵特性曲线 GTOS Type pump performance curve chart

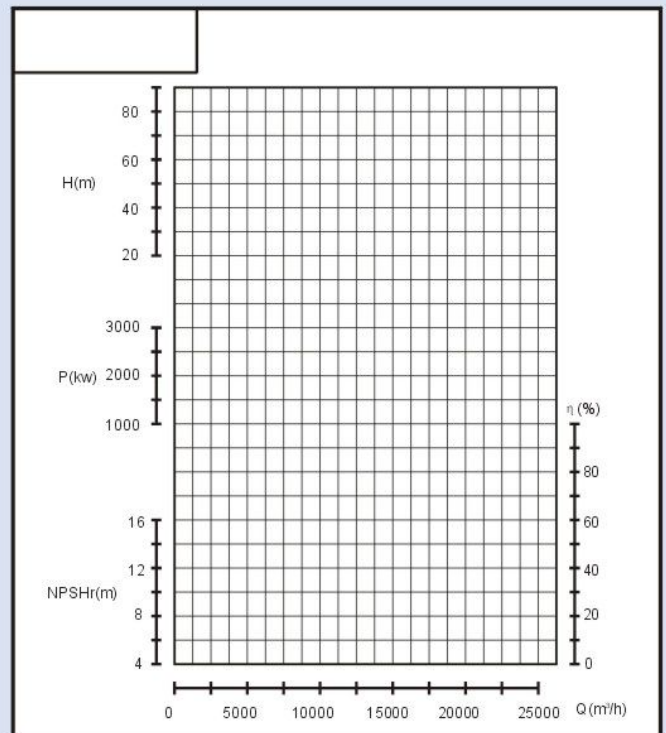
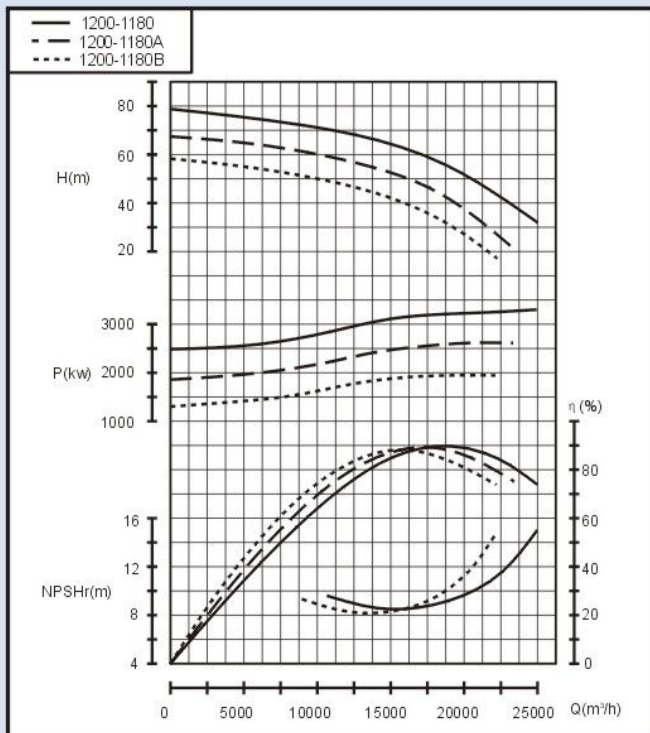
n=495r/min



n=375r/min



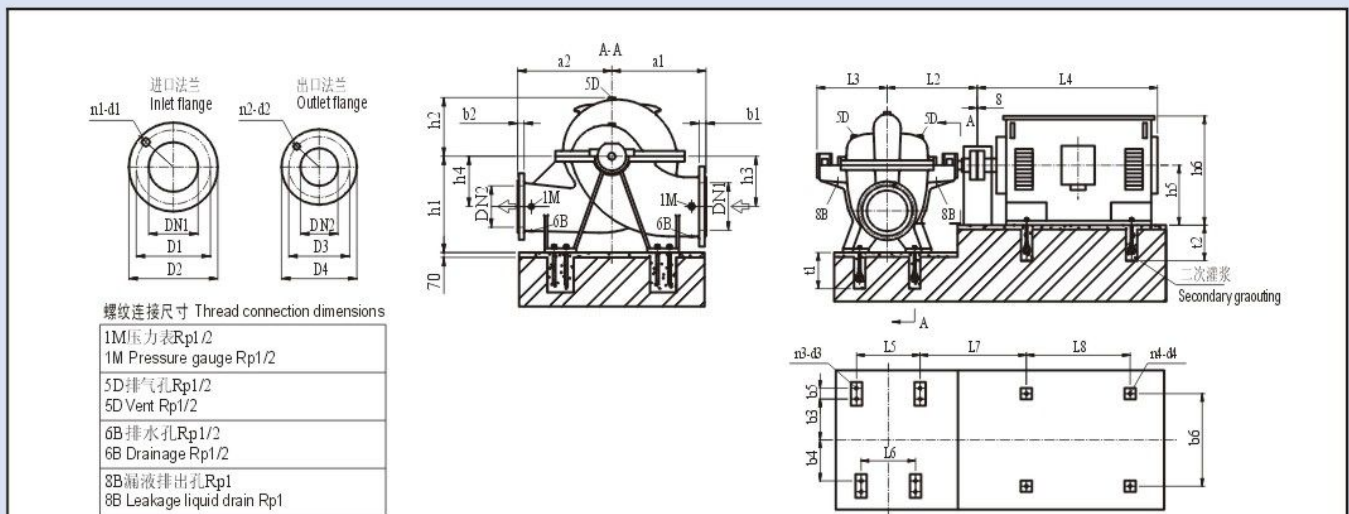
n=590r/min



GTOS型泵性能参数表 Performance parameters of GTOS pump

泵型号 Type	流量 Capacity Q		扬程 Head m	转速 Speed r/min	轴功率 Shaft power kW	效率 Eff. η %	有效汽 蚀余量 (NPSH) r m	电机功率 Motor power kW	叶轮参 考直径 D(mm)	泵型号 Type	流量 Capacity Q		扬程 Head m	转速 Speed r/min	轴功率 Shaft power kW	效率 Eff. η %	有效汽 蚀余量 (NPSH) r m	电机功率 Motor power kW	叶轮参 考直径 D(mm)	
	m/h	l/s									m/h	l/s								
GTOS 1200-1150	A	15000	4167	36	495	1729	85	2000		GTOS 1200-1180	A	15000	4167	65	590	3123	85	9.0	3550	
		18000	5000	32		1742	90					3193	89							
		22500	6250	26		1874	85					3135	84							
	B	14000	3889	31	495	1406	84	1800			B	13800	3833	56	590	2504	84	8.6	2800	
		16800	4667	28		1439	89					2562	88							
		21000	5833	22		1480	85					2494	84							
GTOS 1200-1150 (S)F	A	15000	4167	23	375	1145	82	1250												
		18000	5000	20		1114	88													
		22000	6111	16		1183	81													
	A	13500	3750	19	375	852	82	900												
		16000	4444	16		792	88													
		20000	5556	12		817	80													

GTOS卧式泵安装尺寸图及主要外型尺寸 Installing dimensions of GTOS pump and outline size

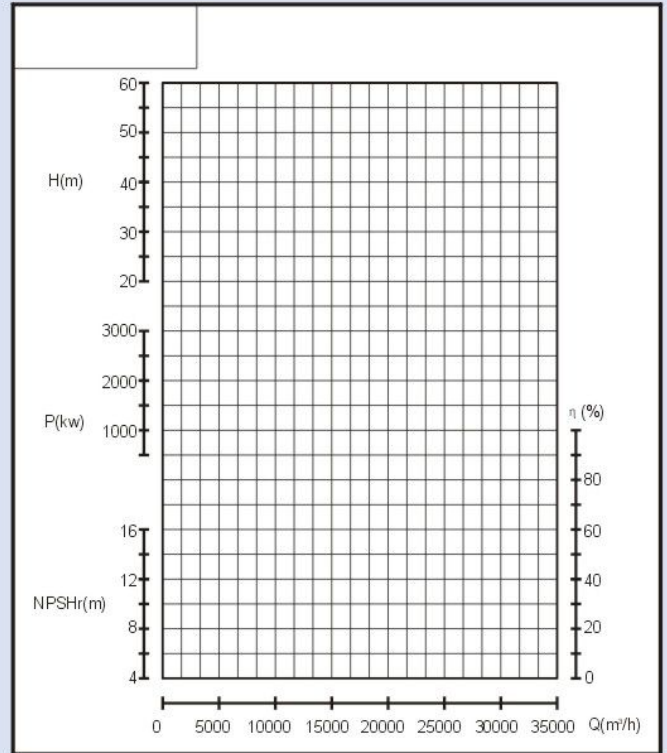
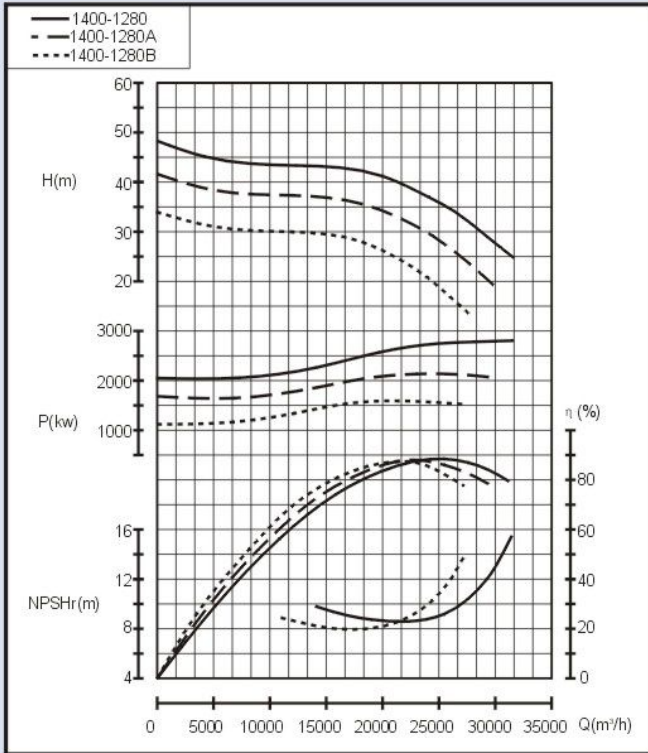


泵型号 Pump type	法兰尺寸 Flange dimension												a1	a2	h1	h2	h3	h4	L2	L3	泵重量 Pump weight
	DN1	D1	D2	n1-d1	b1	PN	DN2	D3	D4	n2-d2	b2	PN									
1200-1150	1400	1590	1675	36-φ43	62	1.0MPa	1200	1380	1455	32-φ40	56	1.0MPa	2000	1600	2100	1480	1150	1150	2250	1900	18980
1200-1180	1400	1590	1675	36-φ43	62	1.0MPa	1200	1380	1455	32-φ40	56	1.0MPa	2000	1600	2100	1480	1150	1150	2250	1900	18980

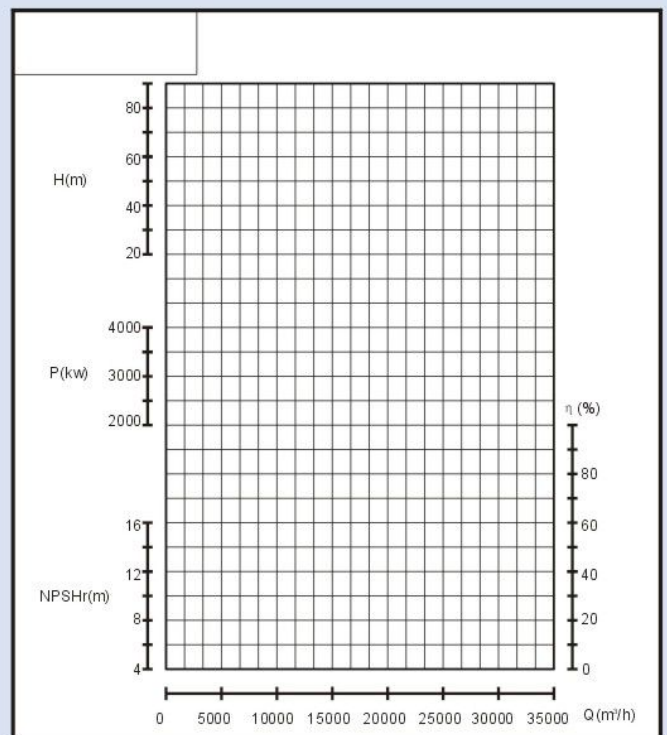
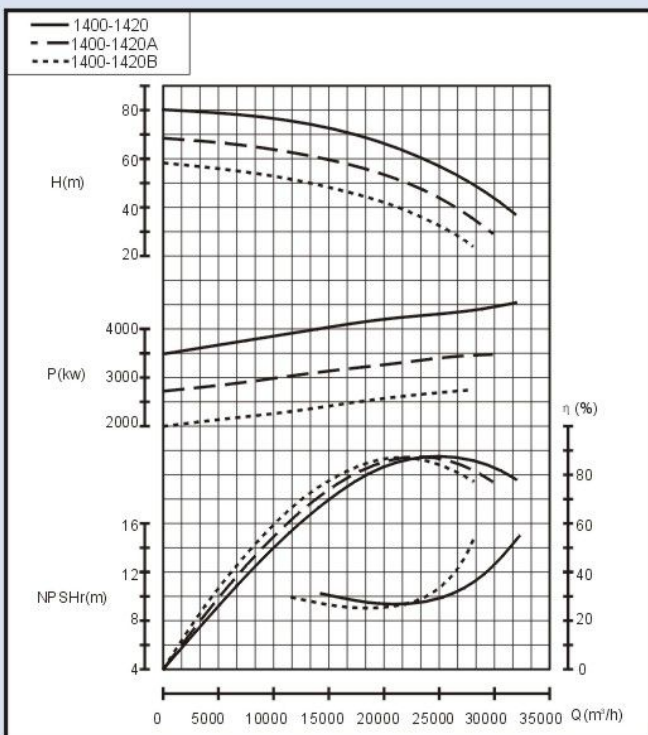
泵型号 Pump type	电机型号 Motor type	功率 Power	电压 Voltage	防护等级 Protection grade	L5	L6	b3	b4	b5	L4	L7	L8	b6	h5	h6	t1	t2	电机重量 Motor weight	电机地脚螺栓 Motor anchor bolt	泵地脚螺栓 Pump anchor bolt
1200-1150					1600	1200	1000	800	200								700			8-M36×630
					1600	1200	1000	800	200								700			8-M36×630
					1600	1200	1000	800	200								700			8-M36×630
					1600	1200	1000	800	200								700			8-M36×630
					1600	1200	1000	800	200								700			8-M36×630
					1600	1200	1000	800	200								700			8-M36×630
1200-1180					1600	1200	1000	800	200								700			8-M36×630
					1600	1200	1000	800	200								700			8-M36×630
					1600	1200	1000	800	200								700			8-M36×630
					1600	1200	1000	800	200								700			8-M36×630
					1600	1200	1000	800	200								700			8-M36×630
					1600	1200	1000	800	200								700			8-M36×630

GTOS型泵特性曲线 GTOS Type pump performance curve chart

n=495r/min



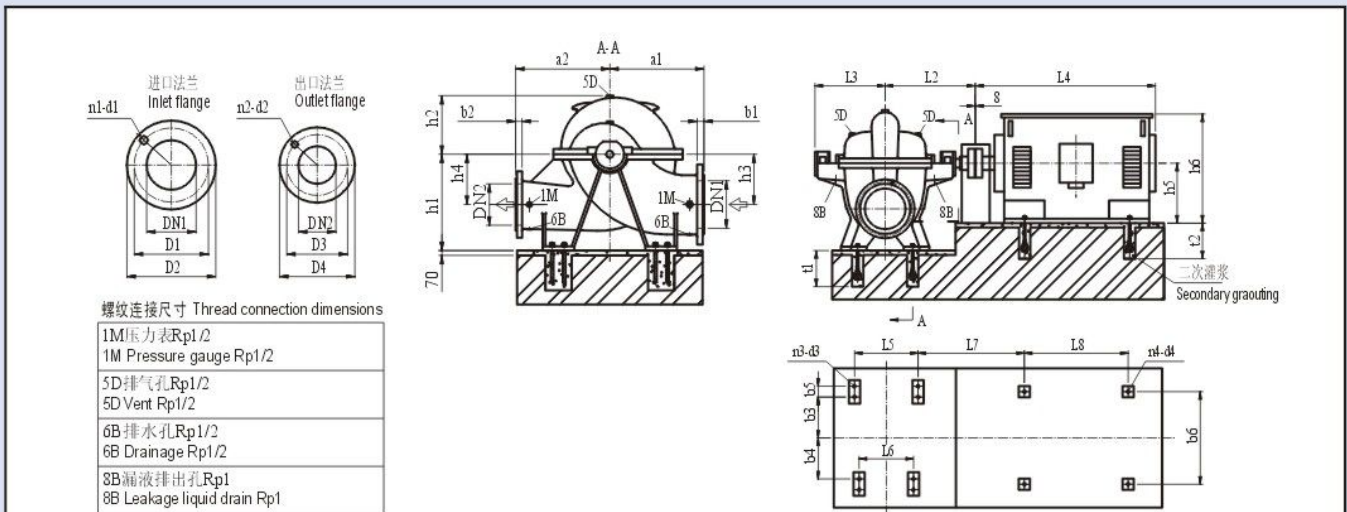
n=495r/min



GTOS型泵性能参数表 Performance parameters of GTOS pump

泵型号 Type	流量 Capacity Q		扬程 Head m	转速 Speed r/min	轴功率 Shaft power kW	效率 Eff. η %	有效汽 蚀余量 (NPSH) r m	电机功率 Motor power kW	叶轮参 考直径 D(mm)	泵型号 Type	流量 Capacity Q		扬程 Head m	转速 Speed r/min	轴功率 Shaft power kW	效率 Eff. η %	有效汽 蚀余量 (NPSH) r m	电机功率 Motor power kW	叶轮参 考直径 D(mm)
	m/h	l/s									m/h	l/s							
GTOS 1400-1280	A	21500	5972	40	2754	85	9.0	3150											
		25000	6944	36	2722	90													
		28500	7917	30	2706	86													
	B	20000	5556	34	2204	84	8.6	2500											
		23000	6389	31	2181	89													
		26000	7222	26	2165	85													
GTOS 1400-1420	A	21500	5972	62	4320	84	9.9	5000											
		25000	6944	58	4435	89													
		28500	7917	49	4472	85													
	B	20000	5556	52	3370	84	9.6	4000											
		23000	6389	49	3467	88.5													
		26000	7222	41	3414	85													
B	18000	5000	45	2657	83	9.2	3150												
	21000	5833	40	2598	88														
	24000	6667	35	2722	84														

GTOS卧式泵安装尺寸图及主要外型尺寸 Installing dimensions of GTOS pump and outline size



泵型号 Pump type	法兰尺寸 Flange dimension												a1	a2	h1	h2	h3	h4	L2	L3	泵重量 Pump weight
	DN1	D1	D2	n1-d1	b1	PN	DN2	D3	D4	n2-d2	b2	PN									
1400-1280	1600	1820	1915	40-φ49	68	1.0MPa	1400	1590	1675	36-φ43	62	1.0MPa	1900	2200	2300	1530	1250	1250	2550	2270	22300
1400-1420	1600	1820	1915	40-φ49	68	1.0MPa	1400	1590	1675	36-φ43	62	1.0MPa	1900	2200	2300	1530	1250	1250	2550	2270	22300

泵型号 Pump type	电机型号 Motor type	功率 Power	电压 Voltage	防护等级 Protection grade	L5	L6	b3	b4	b5	L4	L7	L8	b6	h5	h6	t1	t2	电机重量 Motor weight	电机地脚螺栓 Motor anchor bolt	泵地脚螺栓 Pump anchor bolt
1400-1280					1800	1400	1200	1000	200							900				8-M42×800
					1800	1400	1200	1000	200							900				8-M42×800
					1800	1400	1200	1000	200							900				8-M42×800
1400-1420					1800	1400	1200	1000	200							900				8-M42×800
					1800	1400	1200	1000	200							900				8-M42×800
					1800	1400	1200	1000	200							900				8-M42×800

售后服务体系 After-sales-services system

■ 服务网络

公司在全国各大、中城市设有150多个分支机构，并建立了销售服务网络，拥有一支庞大的销售服务队伍。

■ 服务项目

- 技术培训
- 设备评估
- 安装调试
- 故障处理
- 维护修理保养
- 设备升级改造

■ 服务承诺

- 合同签约后，在安装期间本公司将派人无偿到现场协助安装及调试；
- 如您按说明书正确使用上海高田牌水泵能确保您使用满意，万一发生异常情况，即请拨打技术热线，我们将为您提供优质的售后服务，给予你满意的答复；
- 产品保修期为一年，一年之内如产品出现质量问题，本公司将实行三包；一年以后出现产品质量问题，本公司提供无偿的技术服务，需方单位自购零配件；
- 产品售出后，本公司将终生与客户保持联系，听取使用意见，以便使产品质量更加完善；
- 本公司将定期与订购单位保持联系，定期回访，以确保订购单位使用的设备运行处于良好状态。

■ Service network

With a strong team of sales promotion and after-sales service, company established more than 150 nationwide branches in various large and middle.

■ Service items

- △ Technical training
- △ Equipment evaluation
- △ Installation and adjustment
- △ Trouble-shooting
- △ Maintenance and repairing
- △ The modification & improvement of equipment

■ Service promise

- △ After signing the contract, technical persons will be dispatched to the instand site to help install and adjust equipment, which is free of charge.
- △ In case the equipment is manipulated in accordance with instruction of tech manual, Shanghai Senty will guarantee the products. If something amal occurred, please contact us. Shanghai shuangxi will provide conside. Within the warrant period of 1 year, if products have quality problems, shuangxi will provide chargefree services.
- △ After warrant perild, if quality problems occur, will provide the charge-free technical support, the components and parts should be bought by customers.
- △ After the products are purchased, Shanghai Shuangxi will keep lifelong contact with the customers, listening comments from customers so as to improve quality in pump perform-ance.
- △ Shanghai Shuangxi will keep regular contact with ordering companies so as to have pump running in proper order.



SENTTY PUMP

潮起潮落、大浪淘沙，高田企业将勇做立浪尖者，在同行业中尽显王者风采，不断成熟、不断超越。
Experiencing Ups and downs in the market, Gaotian Enterprise will be brave enough to be the one on the top of the wave, and display its king's manner. It will more sophisticated and surpassing itself day by day!

提升创想 实现梦想 —— 高田企业

Upgrading imaginations and realizing dreams-----Senty Enterprise

 **SENTTY**

提升創想 實現夢想

Upgrading imaginations and realizing dreams



上海高田制泵有限公司

SHANGHAI SENTTY PUMP MANUFACTURE CO., LTD.

地址：上海市金山区亭林镇工业南区林盛路178号

电话：021-57239999 67231155 67231166

传真：021-37283677

邮编：201505

[Http://www.gaotian-pump.com](http://www.gaotian-pump.com)

E-mail: gaotian@gaotian-pump.com